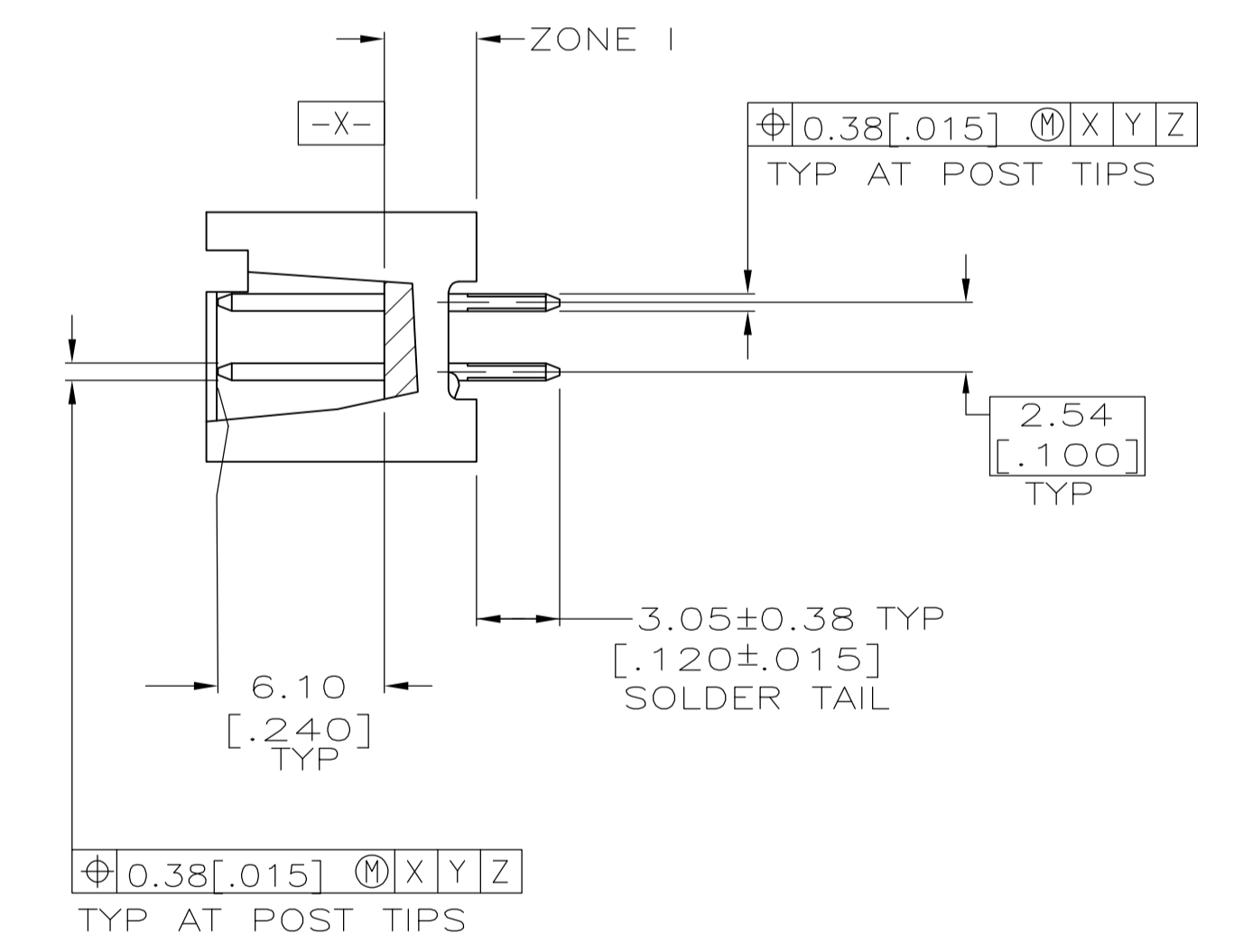
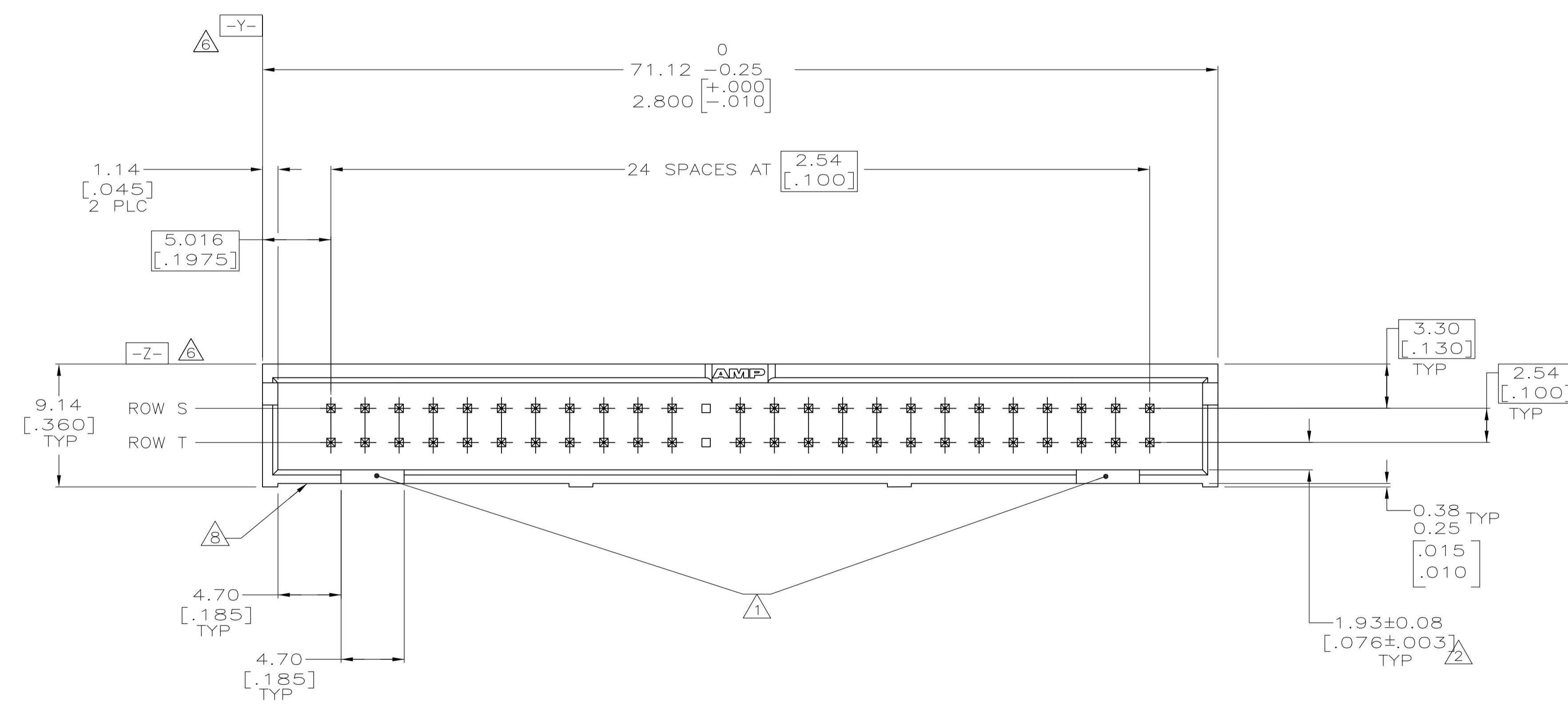


RECOMMENDED HOLE LAYOUT



- △ DOUBLE BAR POLARIZATION.
- △ DIMENSION APPLIES AT THE INTERSECTION OF THE POST AND HOUSING.
- △ CENTER POLARIZATION SLOT.
- △ HOUSING: GLASS FILLED NYLON OR PBT, BLACK, UL 94V-0 RATED.
POSTS: BRASS.
- △ POSTS: GOLD FLASH OVER PALLADIUM-NICKEL PLATE, 0.38µm[.000015] MIN TOTAL ON THE MATING SURFACES, 2.54µm[.000100] MIN TIN-LEAD PLATE ON THE SOLDER-TAILS, 1.27µm[.000050] MIN NICKEL UNDERPLATE ON THE ENTIRE POST.
-OR-
0.38µm[.000015] MIN GOLD PLATE ON THE MATING SURFACES, 2.54µm[.000100] MIN TIN-LEAD PLATE ON THE SOLDER-TAILS, 1.27µm[.000050] MIN NICKEL UNDERPLATE ON THE ENTIRE POST.
- △ DATUMS Y AND Z APPLY IN ZONE I.
- △ NUMBER 1 POSITION INDICATOR.
- △ OPTIONAL AMP IDENTIFICATION NUMBER (DATE CODE). LOCATION APPROXIMATELY WHERE SHOWN.

12	12	50	1-111712-0
ROW T	ROW S	NO OF	PART NUMBER
POST OMITTED		POSITION	

THIS DRAWING IS A CONTROLLED DOCUMENT.		DIN M. MORRIS 17JUN98	Tyco Electronics Corporation Harrisburg, PA 17105-3608	
DIMENSIONS: mm [INCHES]		CHK K. FULLER 17JUN98	NAME K. FULLER 17JUN98	
TOLERANCES UNLESS OTHERWISE SPECIFIED:		APVD K. FULLER 17JUN98		
0 PLC	± -	PRODUCT SPEC 108-40018		
1 PLC	± -	APPLICATION SPEC		
2 PLC	± 0.13 [.005]	SIZE A1		
3 PLC	± -	CAGE CODE 00779		
4 PLC	± -	DRAWING NO 111712		
ANGLES	± -	RESTRICTED TO		
MATERIAL	FINISH	WEIGHT		
△ 4	△ 5	CUSTOMER DRAWING		
SCALE 4:1		SHEET 1 OF 1		REV D