

6

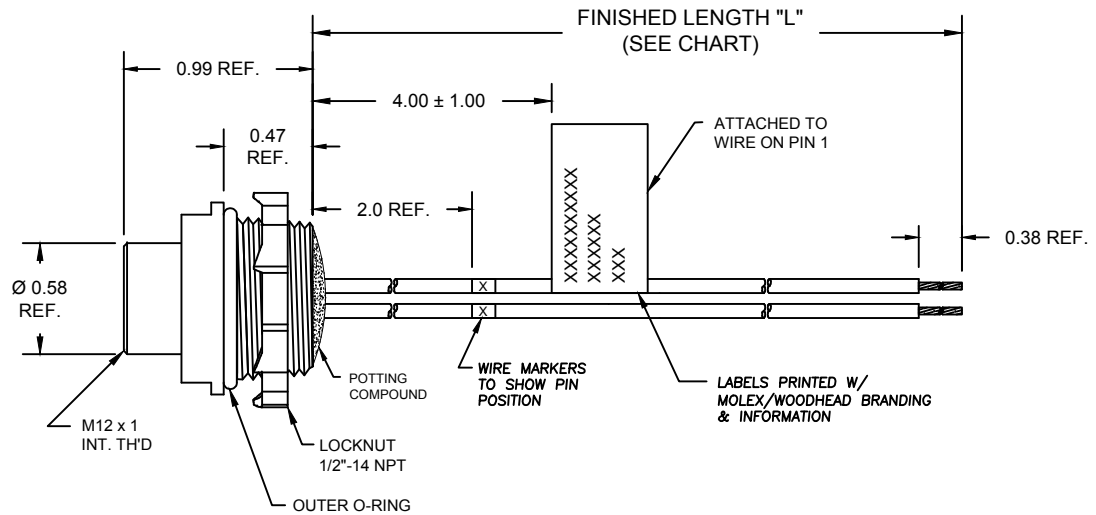
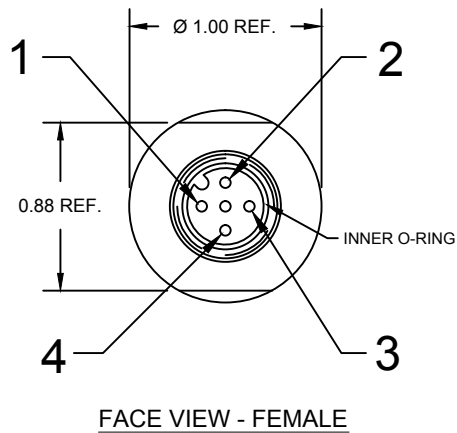
5

4

3

2

1



1	BLUE/YELLOW
2	WHITE/BLUE
3	BLUE/YELLOW
4	BLUE/YELLOW

SPECIFICATIONS:

SHELL MATERIAL: NICKEL PLATED ZINC DIECAST
 CONTACT MATERIAL: GOLD/NICKEL OVER COPPER ALLOY
 INSERT MATERIAL: BLACK NYLON
 INNER O-RING: RED NITRILE
 LOCKNUT: ZINC-PLATED STEEL
 OUTER O-RING: BLACK NITRILE
 WIRES: #18-1, PVC LEADS
 ASSEMBLY RATING: 250V, 4A
 ENVIRONMENTAL: -20°C TO 105°C
 IP67 WHEN MATED
 AGENCY: UL LISTED

MOLEX SAP P/N#	ENGINEERING P/N#	"L" (Meters)	"L" (INCH)	TOLERANCE (INCH)
1200700473	8R4000AB5M020N	2.0 M	78.74"	+3.50"/-0.00"
1200700475	8R4000AB5M040N	4.0 M	157.48"	+6.50"/-0.00"

A201110637 RELEASE EC NO: WNA2011-0422 DRWN: VOU 2011/01/27 CHKD: LHARTMAN APPR: JFMURPHY 2012/03/20	DESCRIPTION REV 2	QUALITY SYMBOLS $\nabla=0$ $\nabla C=0$	GENERAL TOLERANCES (UNLESS SPECIFIED)		DIMENSION STYLE INCH ONLY		SCALE 1:1	DESIGN UNITS INCH	THIRD ANGLE PROJECTION		
DRAFT WHERE APPLICABLE MUST REMAIN WITHIN DIMENSIONS			SEE CHART		MATERIAL NO.		DOCUMENT NO.		SHEET NO.		
			SIZE A		THIS DRAWING CONTAINS INFORMATION THAT IS PROPRIETARY TO MOLEX INCORPORATED AND SHOULD NOT BE USED WITHOUT WRITTEN PERMISSION						

DRAWN BY VOU		DATE 2011/01/27		TITLE M12 MICRO-CHANGE RECEPT 4P F/FR 1/2 NPT MOUNT #18-1 PVC WIRES	
CHECKED BY TWOLDEGE		DATE 2011/01/27		APPROVED BY JFMURPHY	
		DATE 2012/03/20		MOLEX INCORPORATED	
				SD-120070-034	
				1 OF 1	

6

5

4

3

2

1