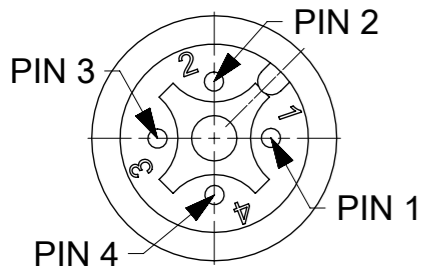


10 9 8 7 6 5 4 3 2 1

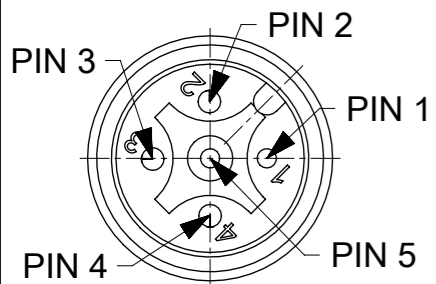
VIEW FROM THE FRONT SIDE MALE

4 POLE



Pin	Wire color
1	BN
2	WH
3	BU
4	BK

5 POLE



Pin	Wire color
1	BN
2	WH
3	BU
4	BK
5	GY

PART NO MATRIX

W 0 X 0 0 6 X X X X X X X X

W0 = U12 SINGLE ENDED

POLES:  
3 = 3 POLES  
4 = 4 POLES  
5 = 5 POLES

HEADER :  
006 = MALE STRAIGHT

CABLE TYPE :  
SEE CABLE LIST

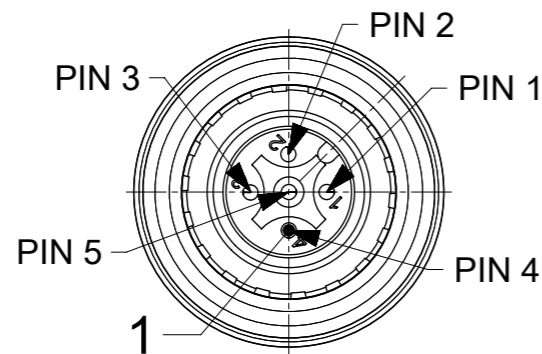
UNIT:  
M = METER  
C = CENTIMETER  
T = 10x METER

LENGTH EXAMPLE:  
010 = 1 m  
050 = 5 m  
100 = 10 m

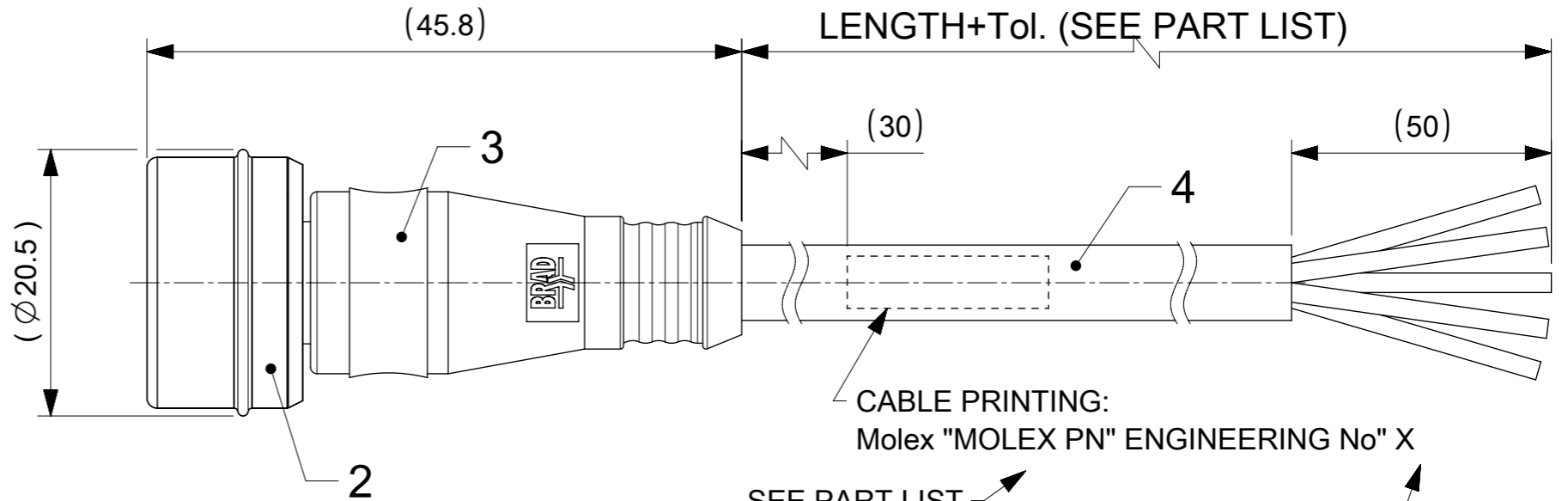
OPTIONS

OVERMOULD :  
BLANK = BLACK  
A = GREY  
G = BLACK  
Y = YELLOW

ULTRA LOCK ASSEMBLY:  
BLANK = BRASS, Ni PLATED  
8 = STAINLESS STEEL, EPDM ORING  
H = 2 PCS. OF I/D CARIERR



VIEW FROM THE FRONT SIDE



CABLE PRINTING:  
Molex "MOLEX PN" ENGINEERING No" X

SEE PART LIST

DATA ACCORDING TO WN-00001

NOTES :  
ELECTRICAL DATA :  
VOLTAGE RATING : 4 POLE : 250V  
5 POLE : 60V  
AMPERAGE RATING : 4A  
INSULATION RESISTANCE : 10<sup>8</sup>Ω MIN.  
MATING CYCLES : MIN. 100

ENVIRONMENTAL :  
PROTECTION CLASS : IP69K IN MATED  
AND LOCKED POSITION  
OPERATING TEMPERATURE : -25°C TO +80°C

PART LIST

No.	Molex P/N	Engineering no.	Cable Length
1	1200795126	W04006F03M0108	1m
2	1200795127	W04006F03M0208	2m
3	1200795128	W04006F03M0508	5m
4	1200795129	W04006F03M1008	10m
5	1200798101	W05006F03M0108	1m
6	1200798102	W05006F03M0208	2m
7	1200798103	W05006F03M0508	5m
8	1200798104	W05006F03M1008	10m

CABLE LIST

CABLE TYPE	CROSS SECTION	NO. OF WIRES	DESCRIPTION	CABLE JACKET	FINISH/COLOR
F03	0.34mm <sup>2</sup>	4	CABLE 4X0.34 PVC BK D5.3 PVC UNSH	PVC	BLACK
		5	cabl5x0.34 blk PVC D5.7		

DOCUMENT STATUS	P1	RELEASE DATE	2022/07/27 07:37:27
-----------------	----	--------------	---------------------

BOM

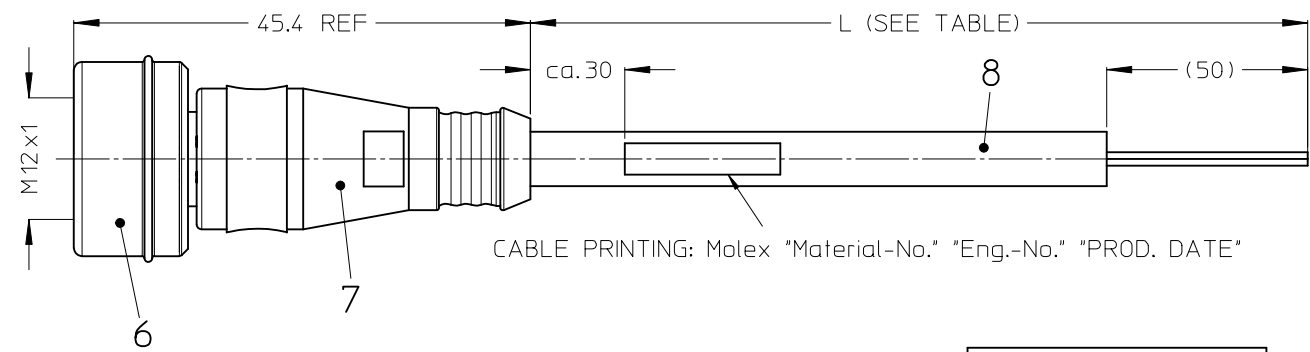
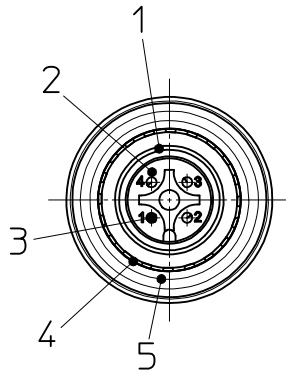
ITEM	QTY.	DESCRIPTION	MATERIAL	FINISH
4	-	CABLE (SEE MATRIX)	SEE CABLE LIST	SEE CABLE LIST
3	-	OVERMOULD	TPU	BLACK
2	1	ULTRA-LOCK ASSEMBLY 3,4&5 POLE		
1	3/4/5	CONTACT M12 MALE	BRASS	GOLD OVER Ni-PLATED

THIS DRAWING CONTAINS INFORMATION THAT IS PROPRIETARY TO MOLEX ELECTRONIC TECHNOLOGIES, LLC AND SHOULD NOT BE USED WITHOUT WRITTEN PERMISSION

FUNCTIONAL SYMBOLS	THIS DRAWING CONTAINS INFORMATION THAT IS PROPRIETARY TO MOLEX ELECTRONIC TECHNOLOGIES, LLC AND SHOULD NOT BE USED WITHOUT WRITTEN PERMISSION	SCALE	2:1	CURRENT REV DESC: MIGRATED & REVISED	
GENERAL TOLERANCES (UNLESS SPECIFIED)	mm	2:1	EC NO: 715590		
ANGULAR TOL	± 1.0°		DRWN: MDHARMANTI 2022/03/07		
4 PLACES ±			CHK'D: RSILLER 2022/07/27		
DIVISIONAL SYMBOLS			3 PLACES ±	APPR: RSILLER 2022/07/27	PRODUCT CUSTOMER DRAWING
			2 PLACES ± 0.05	INITIAL REVISION:	
			1 PLACE ± 0.3	DRWN: MDHARMANTI 2022/03/07	DOCUMENT NUMBER
			0 PLACES ± 0.5	APPR: RSILLER 2022/07/27	1200798101
DRAFT WHERE APPLICABLE MUST REMAIN WITHIN DIMENSIONS	THIRD ANGLE PROJECTION	DRAWING	SERIES	MATERIAL NUMBER	CUSTOMER
		A3-SIZE	120079	SEE PART LIST	GENERAL MARKET
					SHEET NUMBER
					1 OF 1

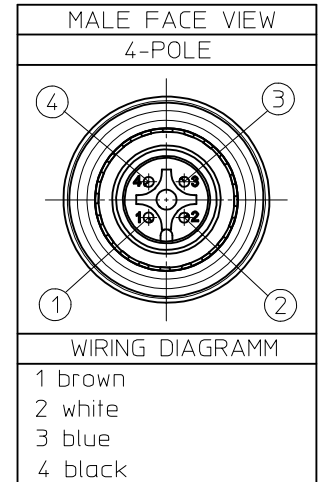
CABLE LENGTH TOLERANCES

LENGTH	TOLERANCE
0m-1m	+40 mm
>1m-5m	+60 mm
>5m-10m	+80 mm
>10m-20m	+140 mm
>20m-30m	+160 mm
>30m	+1% length



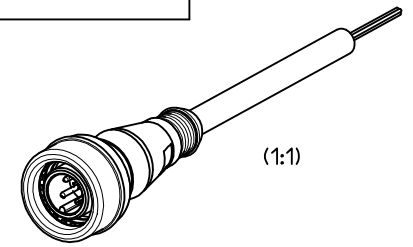
CABLE PRINTING: Molex "Material-No." "Eng.-No." "PROD. DATE"

PART NUMBER	ENGINEERING Nr.	DESCRIPTION	LENGTH L
1200795126	W04006F03M0108	CSE U12 4P AC MA STR PVC 1M UNSH BK V4A	1M
1200795127	W04006F03M0208	CSE U12 4P AC MA STR PVC 2M UNSH BK V4A	2M
1200795128	W04006F03M0508	CSE U12 4P AC MA STR PVC 5M UNSH BK V4A	5M
1200795129	W04006F03M1008	CSE U12 4P AC MA STR PVC 10M UNSH BK V4A	10M



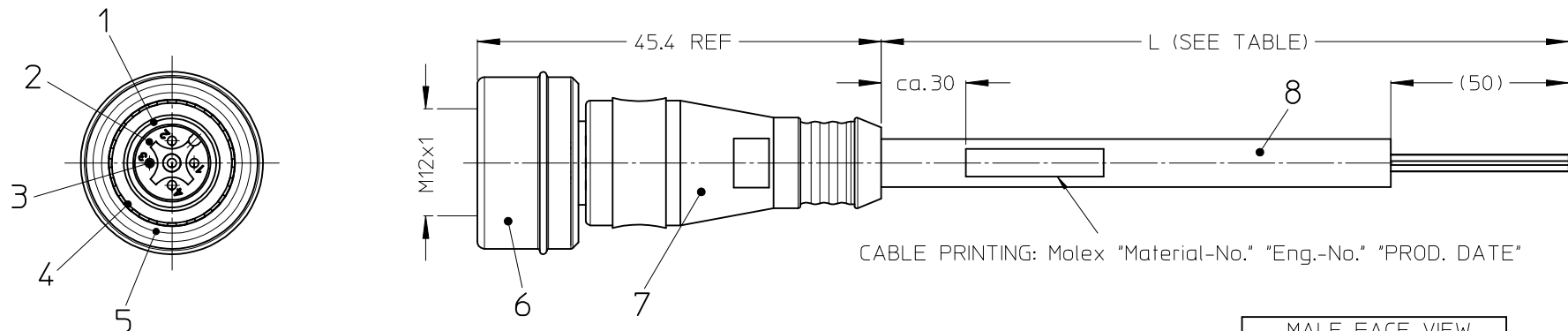
CONNECTOR SPECIFICATION

VOLTAGE RATING	250V VAC/DAC
AMPERAGE RATING	max. 4A
PROTECTION	IP 69K
OPERATING TEMPERATURE	-25 °C TO +105°C



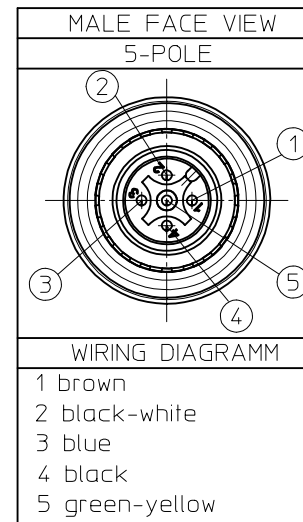
ITEM	DESCRIPTION	MATERIAL NO.	FINISH
1	O-RING	EPDM	---
2	INSERT	PA6	---
3	PIN CONTACT	COPPER ALLOY	Au over Ni
4	SPRING	STAINLESS STEEL	---
5	SPRING SLEEVE	STAINLESS STEEL	---
6	PUSH SLEEVE	STAINLESS STEEL	---
7	OVERMOLD	PVC	---
8	CABLE	COPPER STRANDING JACKET: PVC	---

ENTER DESCRIPTION EC NO: IPG2015-0803 DR: W. RSCHIEBER 2014/10/29 CH: K. R. SILLER 2014/10/29 APPR: C. BURGER 2014/11/28	QUALITY SYMBOLS ▽=0 ▽=0	GENERAL TOLERANCES (UNLESS SPECIFIED)	DIMENSION STYLE MM ONLY	SCALE 2:1	DESIGN UNITS METRIC	THIRD ANGLE PROJECTION																	
		<table border="1"> <thead> <tr> <th></th> <th>mm</th> <th>INCH</th> </tr> </thead> <tbody> <tr> <td>4 PLACES</td> <td>± ---</td> <td>± ---</td> </tr> <tr> <td>3 PLACES</td> <td>± ---</td> <td>± ---</td> </tr> <tr> <td>2 PLACES</td> <td>± 0.05</td> <td>± ---</td> </tr> <tr> <td>1 PLACE</td> <td>± 0.30</td> <td>± ---</td> </tr> <tr> <td>0 PLACE</td> <td>± 0.50</td> <td>± ---</td> </tr> </tbody> </table> ANGULAR ± 1° DRAFT WHERE APPLICABLE MUST REMAIN WITHIN DIMENSIONS		mm	INCH	4 PLACES	± ---	± ---	3 PLACES	± ---	± ---	2 PLACES	± 0.05	± ---	1 PLACE	± 0.30	± ---	0 PLACE	± 0.50	± ---	DRAWN BY: ZISMAYILOV DATE: 2012/09/12 CHECKED BY: RSCHIEBER DATE: 2012/10/31 APPROVED BY: CBURGER DATE: 2012/11/02	TITLE CSE U12 XP AC MA STR PVC XM SE UNSH BK V4A	MATERIAL NO. SEE TABLE
	mm	INCH																					
4 PLACES	± ---	± ---																					
3 PLACES	± ---	± ---																					
2 PLACES	± 0.05	± ---																					
1 PLACE	± 0.30	± ---																					
0 PLACE	± 0.50	± ---																					



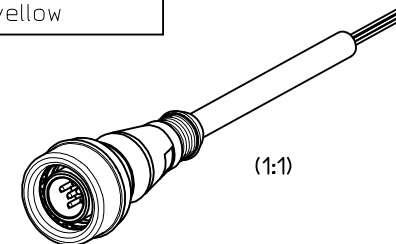
CABLE PRINTING: Molex "Material-No." "Eng.-No." "PROD. DATE"

PART NUMBER	ENGINEERING Nr.	DESCRIPTION	LENGTH L
1200798101	W05006F03M0108	CSE U12 5P AC MA STR PVC 1M UNSH BK V4A	1M
1200798102	W05006F03M0208	CSE U12 5P AC MA STR PVC 2M UNSH BK V4A	2M
1200798103	W05006F03M0508	CSE U12 5P AC MA STR PVC 5M UNSH BK V4A	5M
1200798104	W05006F03M1008	CSE U12 5P AC MA STR PVC 10M UNSH BK V4A	10M



CONNECTOR SPECIFICATION

VOLTAGE RATING	250V VAC/DAC
AMPERAGE RATING	max. 4A
PROTECTION	IP 69K
OPERATING TEMPERATURE	-25 °C TO +105°C



ITEM	COMPONENT	MATERIAL	FINISH
1	O-RING	EPDM	---
2	INSERT	PA6	---
3	PIN CONTACT	COPPER ALLOY	Au over Ni
4	SPRING	STAINLESS STEEL	---
5	SPRING SLEEVE	STAINLESS STEEL	---
6	PUSH SLEEVE	STAINLESS STEEL	---
7	OVERMOLD	PVC	---
8	CABLE	COPPER STRANDING JACKET: PVC	---

<b>ENTER DESCRIPTION</b> EC NO: IPG2015-0803 DRW:RSCHIEBER 2014/10/29 CHKD:RSILLER 2014/10/29 APPR:CBURGER 2014/11/28	QUALITY SYMBOLS ▽=0 ◻=0	GENERAL TOLERANCES (UNLESS SPECIFIED) <table border="1"> <thead> <tr> <th></th> <th>mm</th> <th>INCH</th> </tr> </thead> <tbody> <tr> <td>4 PLACES</td> <td>± ---</td> <td>± ---</td> </tr> <tr> <td>3 PLACES</td> <td>± ---</td> <td>± ---</td> </tr> <tr> <td>2 PLACES</td> <td>± 0.05</td> <td>± ---</td> </tr> <tr> <td>1 PLACE</td> <td>± 0.30</td> <td>± ---</td> </tr> <tr> <td>0 PLACE</td> <td>± 0.50</td> <td>± ---</td> </tr> </tbody> </table>		mm	INCH	4 PLACES	± ---	± ---	3 PLACES	± ---	± ---	2 PLACES	± 0.05	± ---	1 PLACE	± 0.30	± ---	0 PLACE	± 0.50	± ---	DIMENSION STYLE <b>MM ONLY</b> DRAWN BY: ZISMAYILOV DATE: 2012/09/12 CHECKED BY: RSCHIEBER DATE: 2012/10/31 APPROVED BY: CBURGER DATE: 2012/11/02	SCALE: 2:1 DESIGN UNITS: METRIC THIRD ANGLE PROJECTION
		mm	INCH																			
	4 PLACES	± ---	± ---																			
	3 PLACES	± ---	± ---																			
2 PLACES	± 0.05	± ---																				
1 PLACE	± 0.30	± ---																				
0 PLACE	± 0.50	± ---																				
DRAFT WHERE APPLICABLE MUST REMAIN WITHIN DIMENSIONS		MATERIAL NO.: SEE TABLE SIZE: A3	TITLE: CSE U12 XP AC MA STR PVC XM SE UNSH BK V4A																			
		DOCUMENT NO.: SD-120079-053		SHEET NO.: 2 OF 2																		
THIS DRAWING CONTAINS INFORMATION THAT IS PROPRIETARY TO MOLEX INCORPORATED AND SHOULD NOT BE USED WITHOUT WRITTEN PERMISSION																						