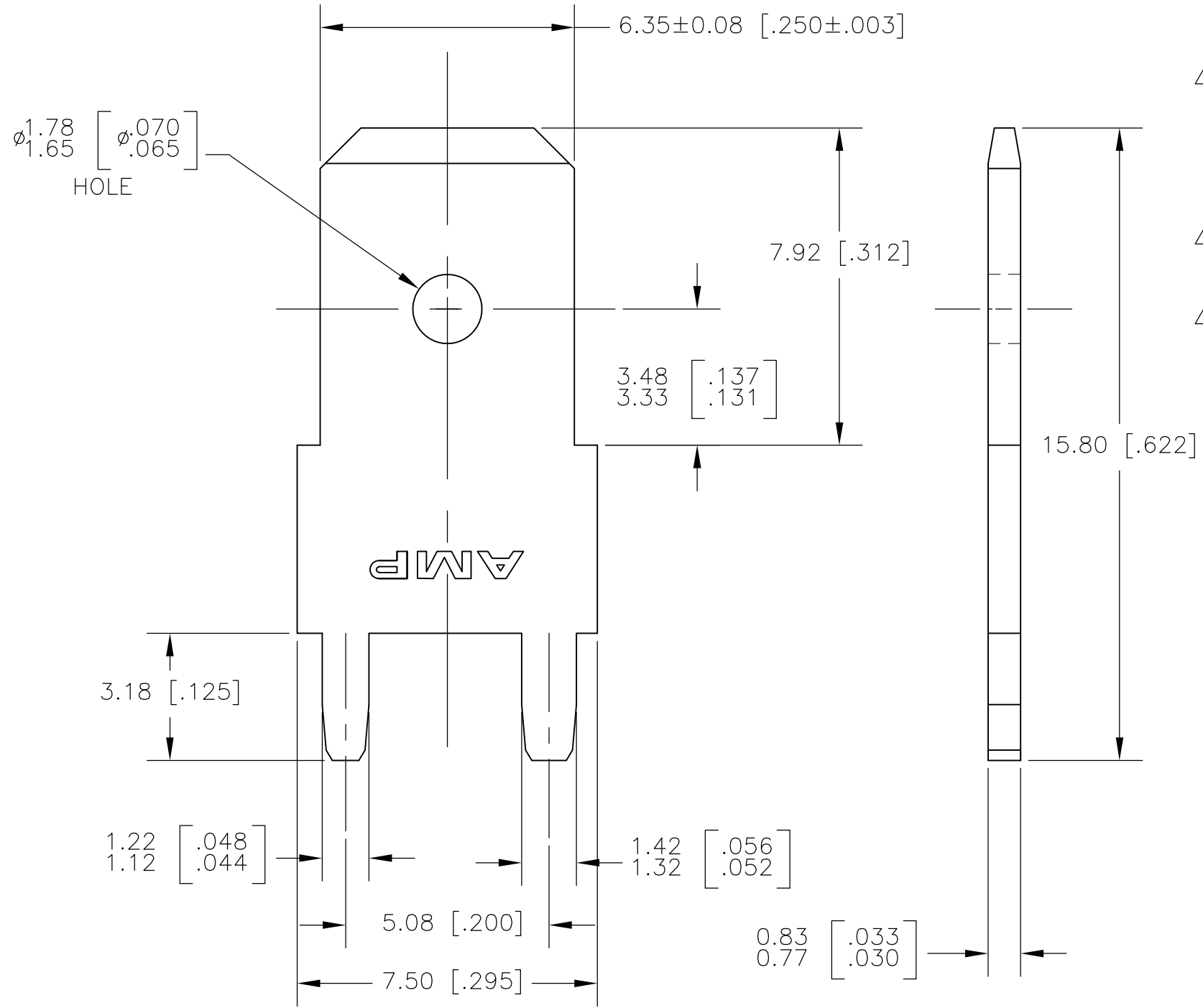
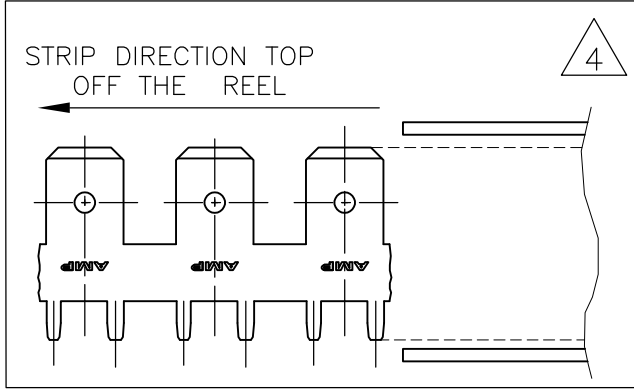
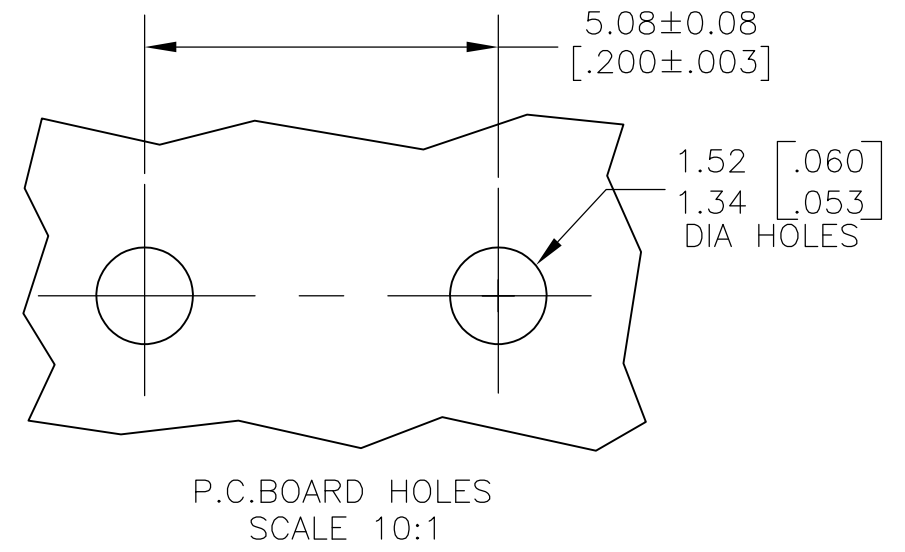


LOC	DIST	REVISIONS					
AF	50	P	LTR	DESCRIPTION	DATE	DWN	APVD
		E2		REVISED PER ECO-14-009432	01JUL2014	NK	DC



- 1 0.00381 [.000150] MIN TIN OVER
0.00254 [.000100] MIN THK COPPER.
- 2 CONTACT PITCH 10.67[.420] FOR STRIP
VERSION 1-1217056-0
- 3 MAX 3 SPLICES PER REEL ALLOWED FOR
STRIP VERSION 1-1217056-0.
- 4 PACKAGING: N. 6000 PCS IN STRIP MUST BE
PLACED ON REEL P/N 999449-3.
N.3 REELS PER BOX P/N 995536-1.
TOTAL: 18000 PCS/BOX.



3	4	STRIP	1-1217056-0
		LOOSE PIECE	1217056-1
		SUPPLYING CONDITION	PART NUMBER

THIS DRAWING IS A CONTROLLED DOCUMENT.		DWN	JR RUTH	20MAR01	TE Connectivity TAB, FASTON, PC BOARD, 6.35 [.250] SERIES
DIMENSIONS:		CHK	MS FEHER	20MAR01	
mm[INCHES]		APVD	N DEIBERT	20MAR01	
		PRODUCT SPEC			
TOLERANCES UNLESS OTHERWISE SPECIFIED:		APPLICATION SPEC			RESTRICTED TO
0 PLC ± -		WEIGHT			
1 PLC ± -			SIZE	A3	
2 PLC ± 0.38 [.015]			CAGE CODE	00779	
3 PLC ± -			DRAWING NO	C-1217056	
4 PLC ± -					
ANGLES ± -		CUSTOMER DRAWING	SCALE	8:1	SHEET
MATERIAL	BRASS	FINISH	1		1 OF 1
					REV
					E2