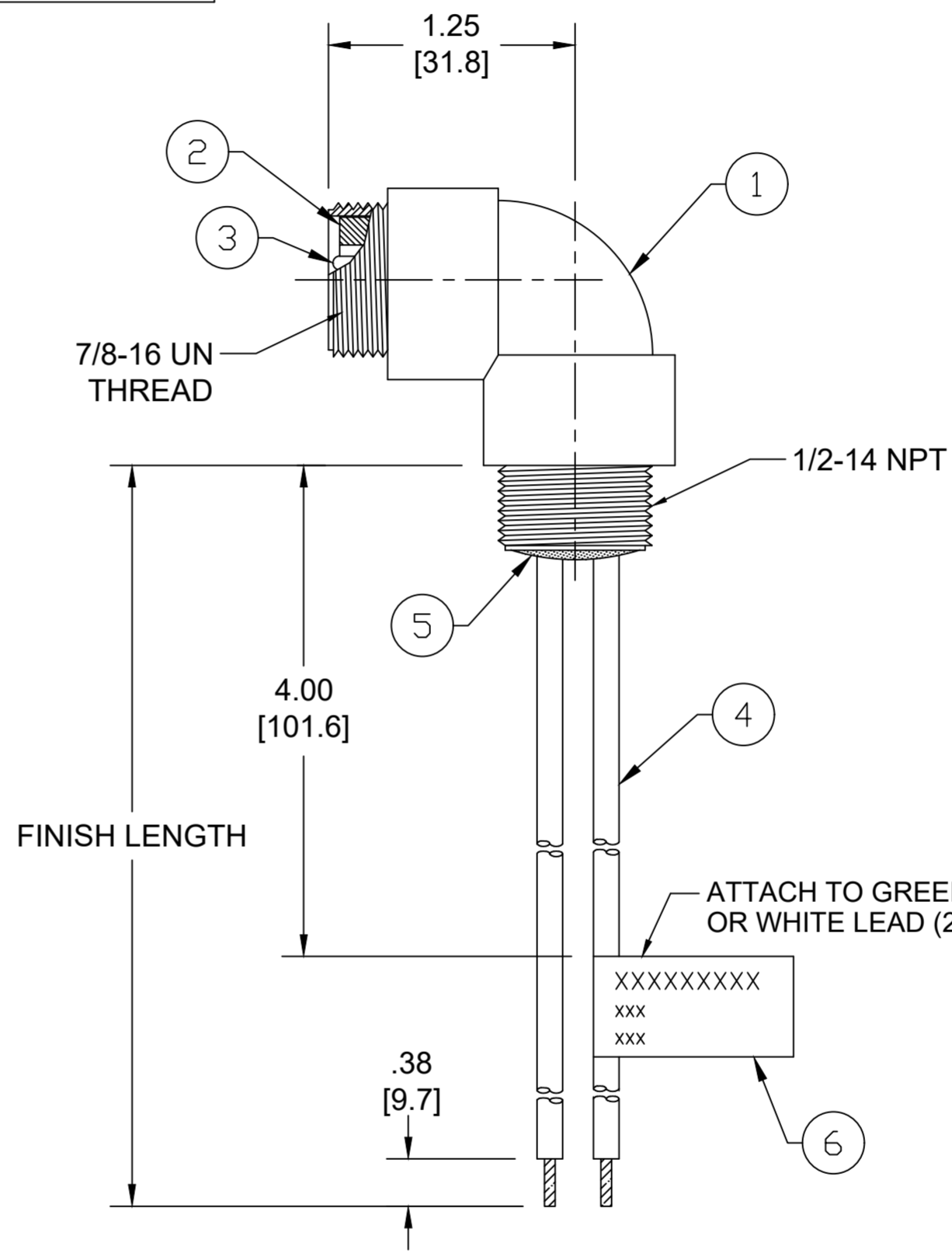
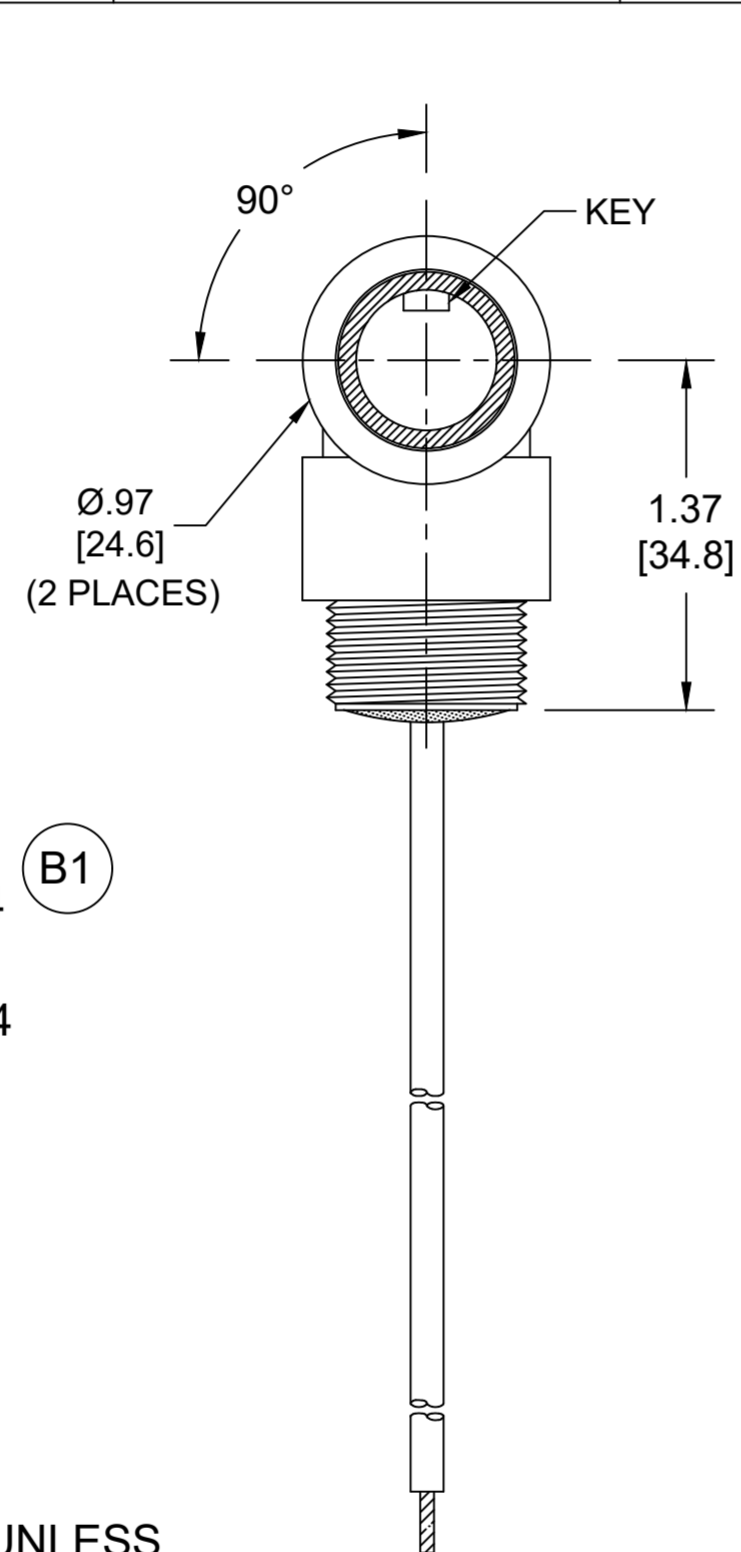


FACE VIEW-MALE INSERT

1 WHITE 2 BLACK	1 GREEN/YELLOW 2 BLACK 3 WHITE	1 BLACK 2 WHITE 3 RED 4 GREEN/YELLOW	1 WHITE 2 RED 3 GREEN/YELLOW 4 ORANGE 5 BLACK	1 WHITE 2 RED 3 GREEN/YELLOW 4 ORANGE 5 BLACK 6 BLUE

MATERIAL NUMBER	ENGINEERING NUMBER	POLES	FINISHED LENGTH
1300130090	1R2007A20A120	2	12 IN [1FT]
1300130248	1R3007A20F020	3	2FT [0.6M]
1300130387	1R4007A20F060	4	6FT [1.8M]
1300130536	1R5007A20F030	5	3FT [0.9M]
1300131009	1R6007A20F030	6	3FT [0.9M]



PART NUMBER LEGEND
1R2007A20A120
 POLES 2-6
 FINISHED LENGTH:
 A120 = 12 INCHES
 F015 = 1.5 FEET
 F020 = 2 FEET
 F100 = 10 FEET

- NOTES:**
- MATERIAL: AS NOTED
 - FINISH: AS NOTED
 - ELECTRICAL:
 - VOLTAGE: 2P & 3P: 500V PER IEC60664
 - 4P: 483V PER IEC60664
 - 5P & 6P: 400V PER IEC60664
 - 600V PER UL2238
 - CURRENT: 2P & 3P: 13A
 - 4P: 10A
 - 5P & 6P: 8A
 - TEMP RATING: -20°TO +105°C
 - PROTECTION: IP67 (WHEN MATED)
 - UL RECOGNIZED FILE: E152210
CSA CERTIFIED FILE: LR6837
 - ALL DIMENSIONS ARE FOR REFERENCE UNLESS TOLERANCED OR NOTED OTHERWISE

WIRE LENGTH TOLERANCES

<.3M [1FT]:	+19mm-0 [+ .75in-0]
.3 - .9M [1 - 3FT]:	+44.5mm-0 [+1.75in-0]
.9 - 1.8M [3 - 6FT]:	+55.6mm-0 [+2.19in-0]
1.8 - 3.7M [6 - 12FT]:	+88.9mm-0 [+3.50in-0]
3.7 - 7.3M [12 - 24FT]:	+165.1mm-0 [+6.50in-0]
7.3-14.6M [24 - 48FT]:	+317.5mm-0 [+12.50in-0]
14.6 - 30.5M [48-100FT]:	+622.3mm-0 [+24.50in-0]
OVER 30M [100FT]	+2% OF FINISHED LENGTH

ITEM	DESCRIPTION	MATERIAL	FINISH
6	FLAG LABEL	VINYL	BLACK/YELLOW
5	POTTING MATERIAL	EPOXY	
4	WIRE 16AWG (UL1015)	PVC INSULATION	SEE CHART
3	CONTACT PIN	COPPER ALLOY	GOLD OVER NICKEL
2	MALE INSERT	TPE	YELLOW
1	RECEPTACLE SHELL	ZINC DIE-CAST	BLACK E-COAT

THIS DRAWING CONTAINS INFORMATION THAT IS PROPRIETARY TO MOLEX ELECTRONIC TECHNOLOGIES, LLC AND SHOULD NOT BE USED WITHOUT WRITTEN PERMISSION

FUNCTIONAL SYMBOLS: FA=0, FC=0, FP=0

DIMENSION UNITS: INCH/MM, SCALE: NTS

GENERAL TOLERANCES (UNLESS SPECIFIED):

PLACES	mm	INCH
4 PLACES	±----	±----
3 PLACES	±----	±----
2 PLACES	±----	±----
1 PLACE	±----	±----
0 PLACES	±----	±----

ANGULAR TOL ± --- °

DRAFT WHERE APPLICABLE MUST REMAIN WITHIN DIMENSIONS

THIRD ANGLE PROJECTION

DRAWING: C-SIZE, SERIES: 130013

CURRENT REV DESC: 2P VOLTAGE WAS 600V, MODIFIED TEMP RATING & PN TABLE. ADDED WIRE STRIP END.

EC NO: 709714
 DRWN: ABENJAMINLW 2022/02/18
 CHK'D: RSTONE 2022/06/08
 APPR: BWOODMAN 2022/06/14

INITIAL REVISION:
 DRWN: RSTONE 2019/03/27
 APPR: BWOODMAN 2019/03/30

molex

MINI-CHANGE RECEPTACLE, A SIZE
 2-6 POLE, MALE, 90DEG, SINGLE KEY,
 #16 AWG

PRODUCT CUSTOMER DRAWING

DOCUMENT NUMBER: SD-130013-090, DOC TYPE/DOC PART/REVISION: PSD 001 B1

MATERIAL NUMBER: SEE CHART, CUSTOMER: GENERAL MARKET, SHEET NUMBER: 1 OF 1