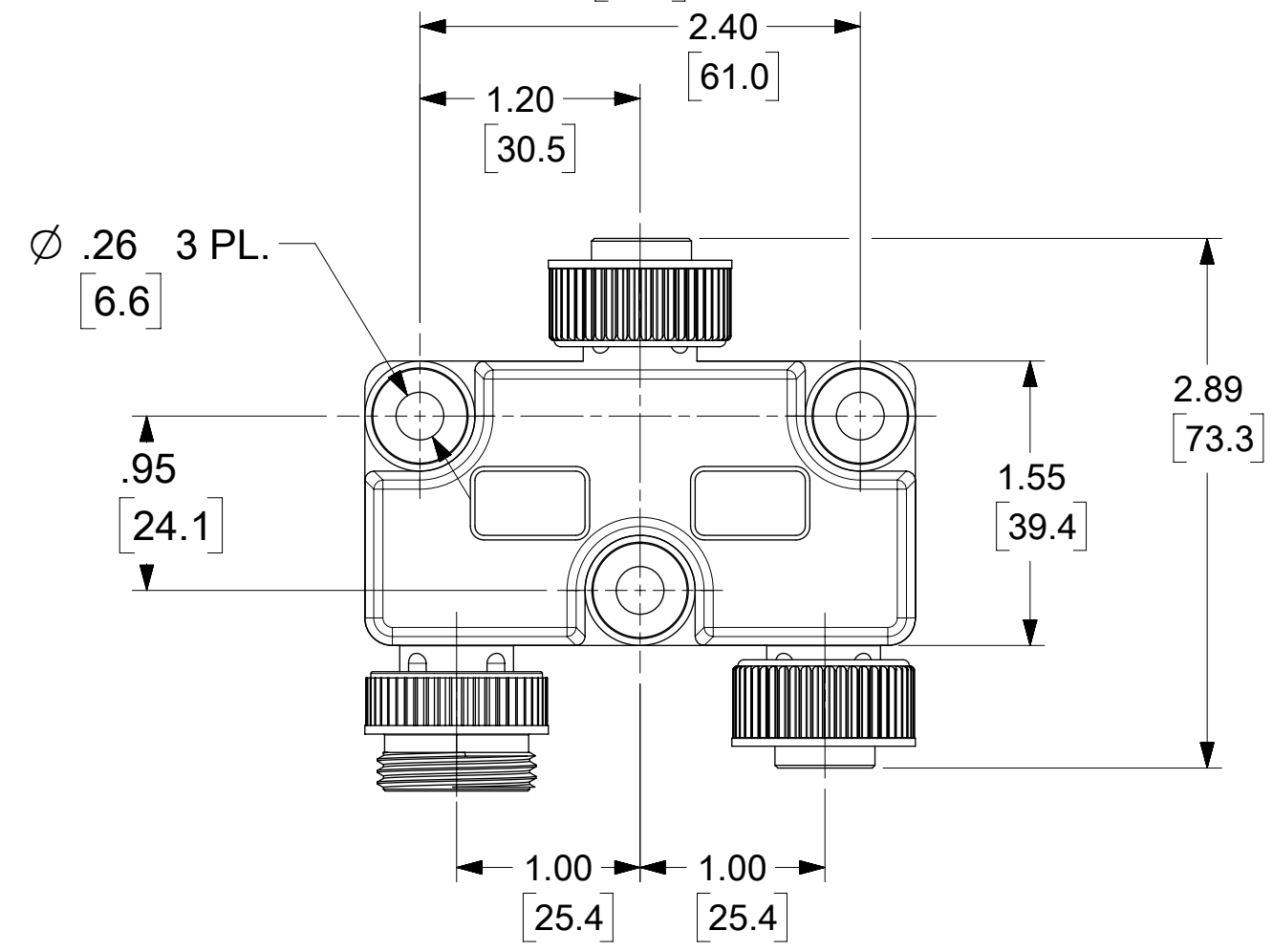
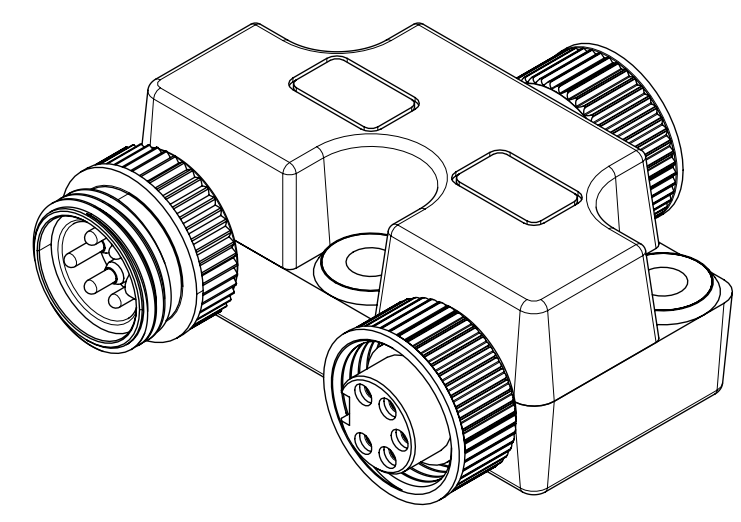
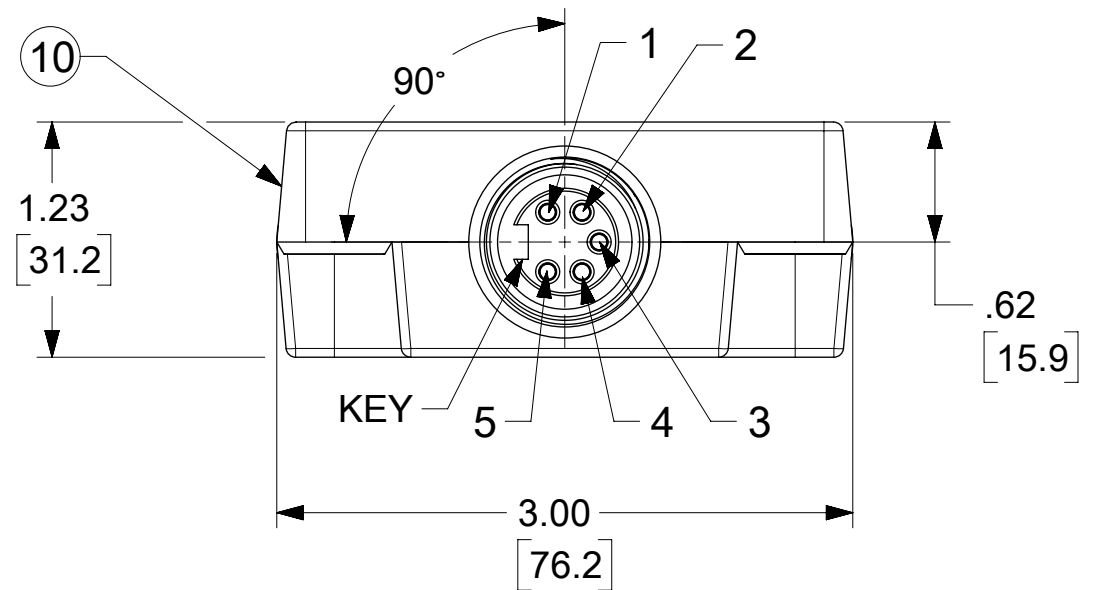
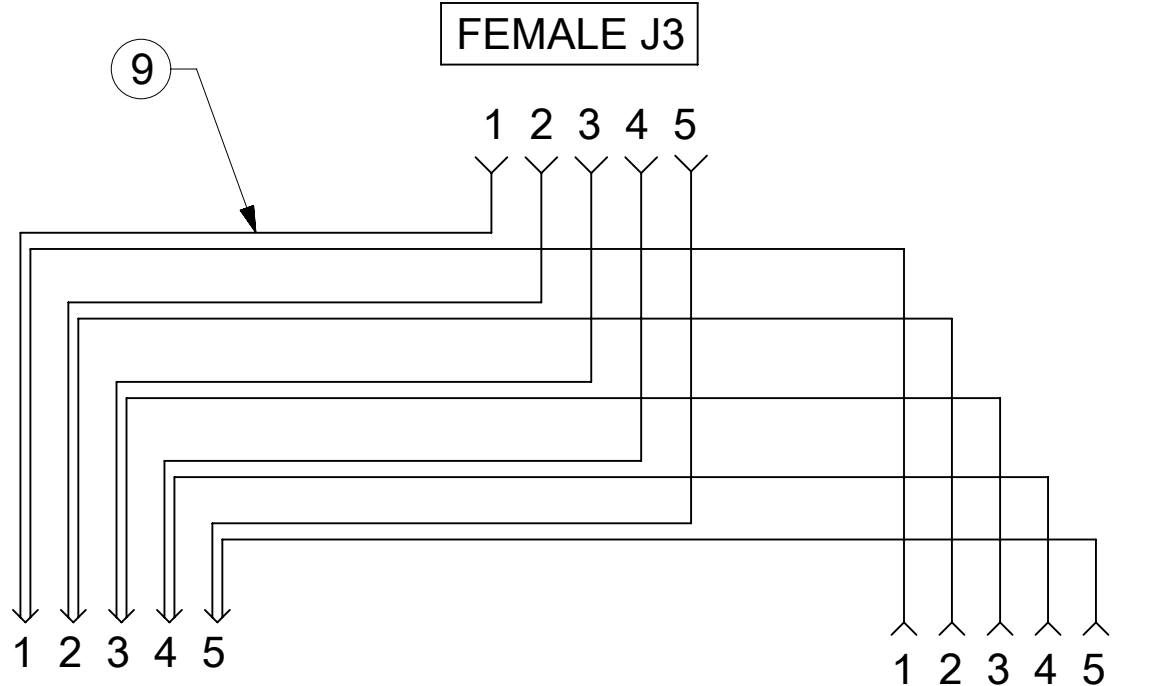
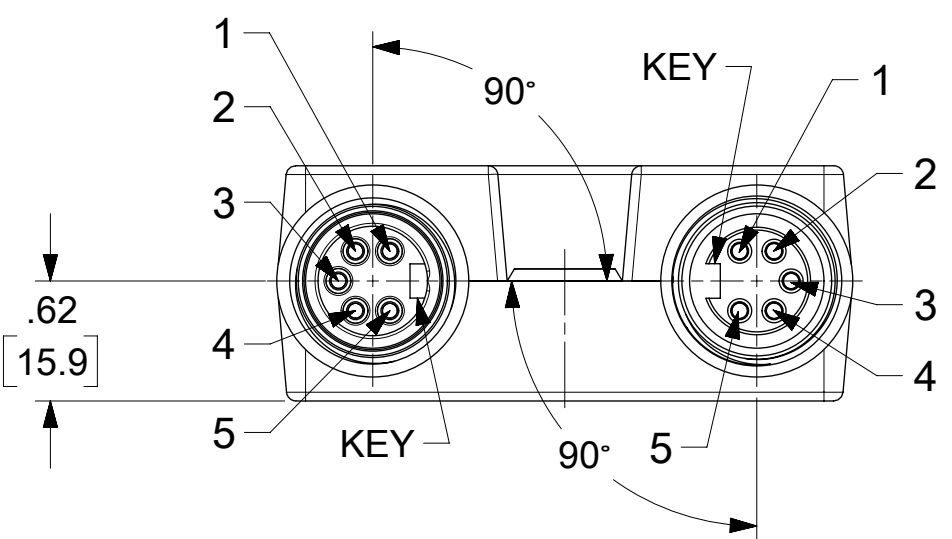


FEMALE J3

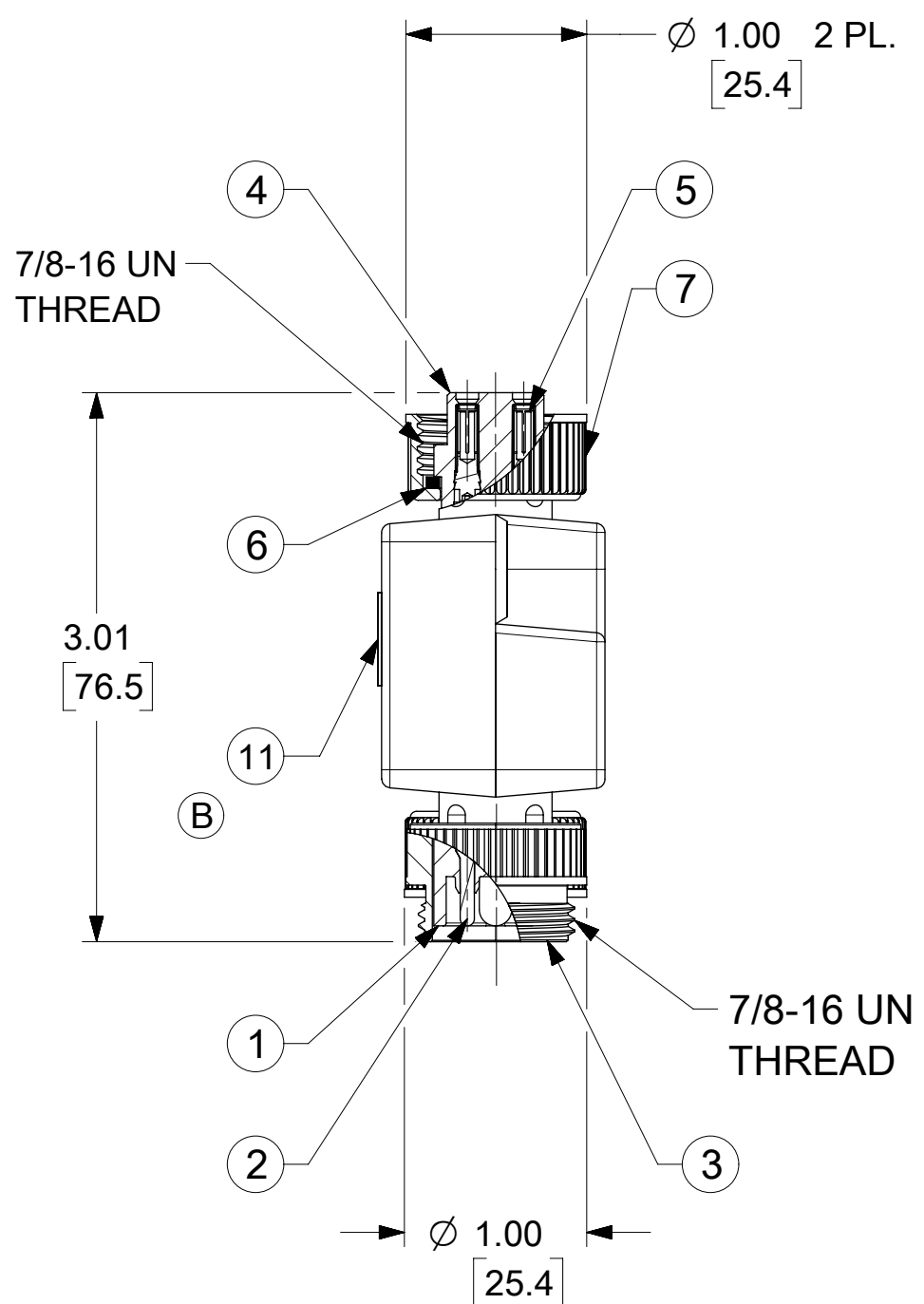


MALE J1

FEMALE J2



WIRING SCHEMATIC



11 ID LABEL DETAIL B

ENG. P/N  
VOLTS/AMPS  
YY/MM/DD

ITEM	DESCRIPTION	MATERIAL	FINISH
11	ID LABEL	POLYPROPYLENE	CLEAR
10	OVERMOLD	TPE	GRAY
9	WIRE, 18AWG, UL1015	PVC INSULATION	
8	SLEEVE	NYLON	WHITE
7	FEMALE COUPLING	ZINC DIE-CAST	BLACK E-COAT
6	FRICTION RING	NYLON	WHITE
5	CONTACT SOCKET	Cu ALLOY	GOLD PLATED
4	FEMALE INSERT	TPE	BLACK
3	MALE COUPLING	ZINC DIE-CAST	BLACK E-COAT
2	CONTACT PIN	Cu ALLOY	GOLD PLATED
1	MALE INSERT	TPE	BLACK

- NOTES:
1. MATERIAL: AS NOTED
  2. FINISH: AS NOTED
  3. ELECTRICAL:  
VOLTAGE; 600VDC  
CURRENT: 8A
  4. TEMP RATING: -20°TO +80°C
  5. PROTECTION: IP67 (WHEN MATED)
  6. COUPLING THREAD: AS NOTED
  7. UL RECOGNIZED FILE: E152210
  8. ALL DIMS ARE FOR REFERENCE UNLESS TOLERANCED OR NOTED OTHERWISE

FUNCTIONAL SYMBOLS FA= 0 FE= 0 FP= 0 DIVISIONAL SYMBOLS	THIS DRAWING CONTAINS INFORMATION THAT IS PROPRIETARY TO MOLEX ELECTRONIC TECHNOLOGIES, LLC AND SHOULD NOT BE USED WITHOUT WRITTEN PERMISSION		DIMENSION UNITS: INCH SCALE: 1:1		CURRENT REV DESC: ADD ID LABEL PER MFG REQUEST	
	GENERAL TOLERANCES (UNLESS SPECIFIED)		EC NO: 709543 DRWN: RSTONE 2022/06/07 CHK'D: ALEON01 2022/06/22 APPR: BWOODMAN 2022/06/27		INITIAL REVISION: DRWN: BW 2009/08/24 APPR: JM 2009/08/26	
	4 PLACES ± ± 3 PLACES ± ± 2 PLACES ± ± 1 PLACE ± ± 0 PLACES ± ±		ANGULAR TOL ± °		THIRD ANGLE PROJECTION	
	DRAFT WHERE APPLICABLE MUST REMAIN WITHIN DIMENSIONS		C-SIZE 130035		DRAWING SERIES: 130035	
DOCUMENT STATUS: P1 RELEASE DATE: 2022/06/27 21:47:07		PART NO. 1300350071 ENG. NO. DN3200		molex MINI-CHANGE 5 POLE PASSIVE Y BLOCK		
PRODUCT CUSTOMER DRAWING		DOCUMENT NUMBER: 1300350071 DOC TYPE: PSD DOC PART: 000 REVISION: B		CUSTOMER: GENERAL MARKET SHEET NUMBER: 1 OF 1		