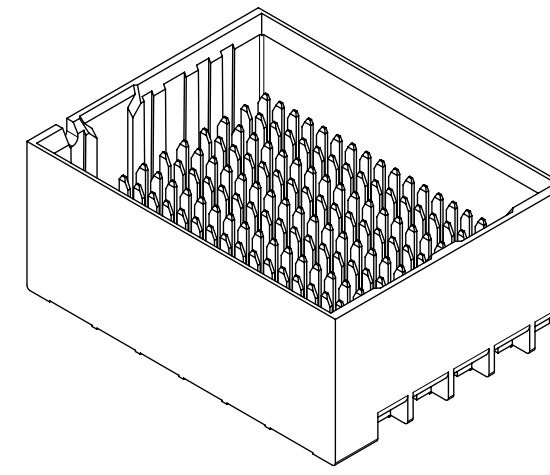


- NOTES:
1. MATERIALS: HOUSING - LIQUID CRYSTAL POLYMER (LCP)  
GLASS-FILLED, UL94V-0  
TERMINALS - HIGH PERFORMANCE COPPER ALLOY
  2. FINISH: 30μ IN MIN. GOLD IN CONTACT AREA, ELECTIVE MATTE TIN  
ON PCB TAILS, NICKEL OVERALL.
  3. REFER TO MOLEX PRODUCT SPECIFICATION PS-170540-999  
FOR PERFORMANCE SPECIFICATIONS AND ADDITIONAL PCB INFORMATION.
  4. THIS PART CONFORMS TO CLASS B REQUIREMENTS OF  
MOLEX COSMETIC SPEC PS-45499-002.
  5. PARTS PACKAGED PER PK-70873-7703.
  6. SEE SHEETS 2 & 3 FOR PART NUMBERS AND BOARD RELATIONSHIPS.
  7. MINIMUM CIRCUIT BOARD THICKNESS: 1.0mm
  8. REFER TO MOLEX PCB ROUTING GUIDE AS-76060-990 FOR ANTIPAD AND  
ROUTING RECOMMENDATIONS.
  9. "THESE DIMENSIONS REPRESENT THE AREA NEEDED TO ACCOMMODATE  
CONNECTOR INSERTION AND REPAIR ON THE PC BOARD. THIS IS REFERRED  
TO AS THE "CONNECTOR KEEP OUT ZONE" AND DOES NOT REPRESENT THE  
ACTUAL PERIMETER OF THE CONNECTOR. WHEN LAYING OUT A PC BOARD FOR  
CONNECTORS STACK TOGETHER, USE A 1.9mm PROGRESSION."

THIS DRAWING CONTAINS INFORMATION THAT IS PROPRIETARY TO MOLEX ELECTRONIC TECHNOLOGIES, LLC AND SHOULD NOT BE USED WITHOUT WRITTEN PERMISSION												
MIGRATED TO NX EC NO: 168852 DRWN: ABABU01 CHKD: CD REV / APPR: GGA	2017/10/12 2017/11/30 2017/12/01		GENERAL TOLERANCES (UNLESS SPECIFIED)			DIMENSION UNITS: MM		SCALE: 4:1				
	4 PLACES ±		ANGULAR TOL ± 2.0 °			DRWN BY: JBINGHAM		DATE: 2010/09/24				
	3 PLACES ±		2 PLACES ± 0.13			CHKD BY: JLAURX		DATE: 2010/09/24		IMPACT 6-PAIR 85-OHM UNGUIDED BACKPLANE SALES ASSEMBLY DRAWING		
	1 PLACE ± 0.25		0 PLACES ±			APPR BY: JLAURX		DATE: 2013/02/07				
DRAFT WHERE APPLICABLE MUST REMAIN WITHIN DIMENSIONS			C		DRAWING SIZE: C		THIRD ANGLE PROJECTION		PRODUCT CUSTOMER DRAWING			
					SERIES: 170535		MATERIAL NUMBER: SEE CHART		CUSTOMER: GENERAL MARKET			
					DOCUMENT NUMBER: SD-170535-0001		DOC TYPE: PSD		DOC PART: 001		SHEET NUMBER: 1 OF 3	

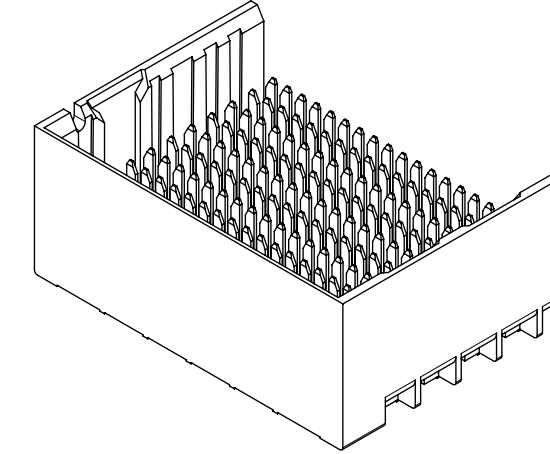
# PART NUMBER CHART

MATERIAL NUMBER	# OF COLUMNS	# OF DIFF. PAIR	DIM. A	DIM. B	DUAL END WALL OPTION
170535-182*	8	48	17.9	13.30	
170535-112*	10	60	21.7	17.10	
170535-142*	14	84	29.3	24.70	
170535-162*	16	96	33.1	28.50	



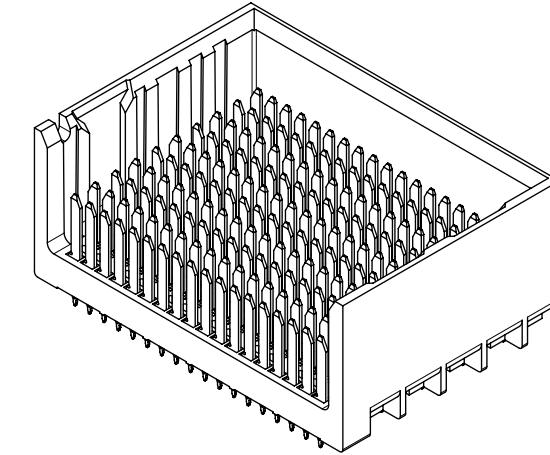
DUAL END  
WALL OPTION

MATERIAL NUMBER	# OF COLUMNS	# OF DIFF. PAIR	DIM. A	DIM. B	LEFT END WALL OPTION
170535-181*	8	48	16.5	13.30	
170535-111*	10	60	20.3	17.10	
170535-141*	14	84	27.9	24.70	
170535-161*	16	96	31.7	28.50	



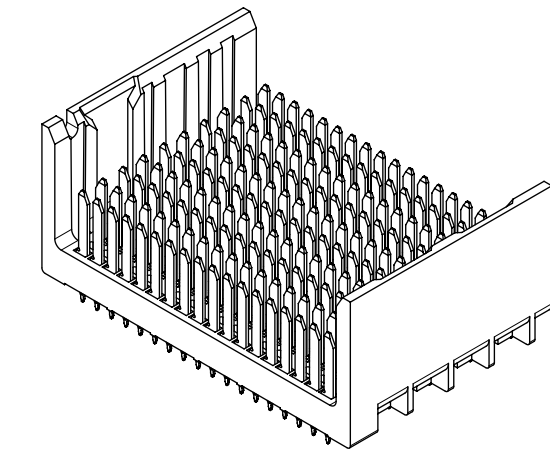
LEFT END  
WALL OPTION

MATERIAL NUMBER	# OF COLUMNS	# OF DIFF. PAIR	DIM. A	DIM. B	RIGHT END WALL OPTION
170535-183*	8	48	16.5	13.30	
170535-113*	10	60	20.3	17.10	
170535-143*	14	84	27.9	24.70	
170535-163*	16	96	31.7	28.50	



RIGHT END  
WALL OPTION

MATERIAL NUMBER	# OF COLUMNS	# OF DIFF. PAIR	DIM. A	DIM. B	OPEN WALL OPTION
170535-180*	8	48	15.1	13.30	
170535-110*	10	60	18.9	17.10	
170535-140*	14	84	26.5	24.70	
170535-160*	16	96	30.3	28.50	



OPEN  
WALL OPTION

## PART NUMBER LOGIC

170535-\*\*\*\*

MODULE TYPE  
1 = UNGUIDED, MATTE TIN

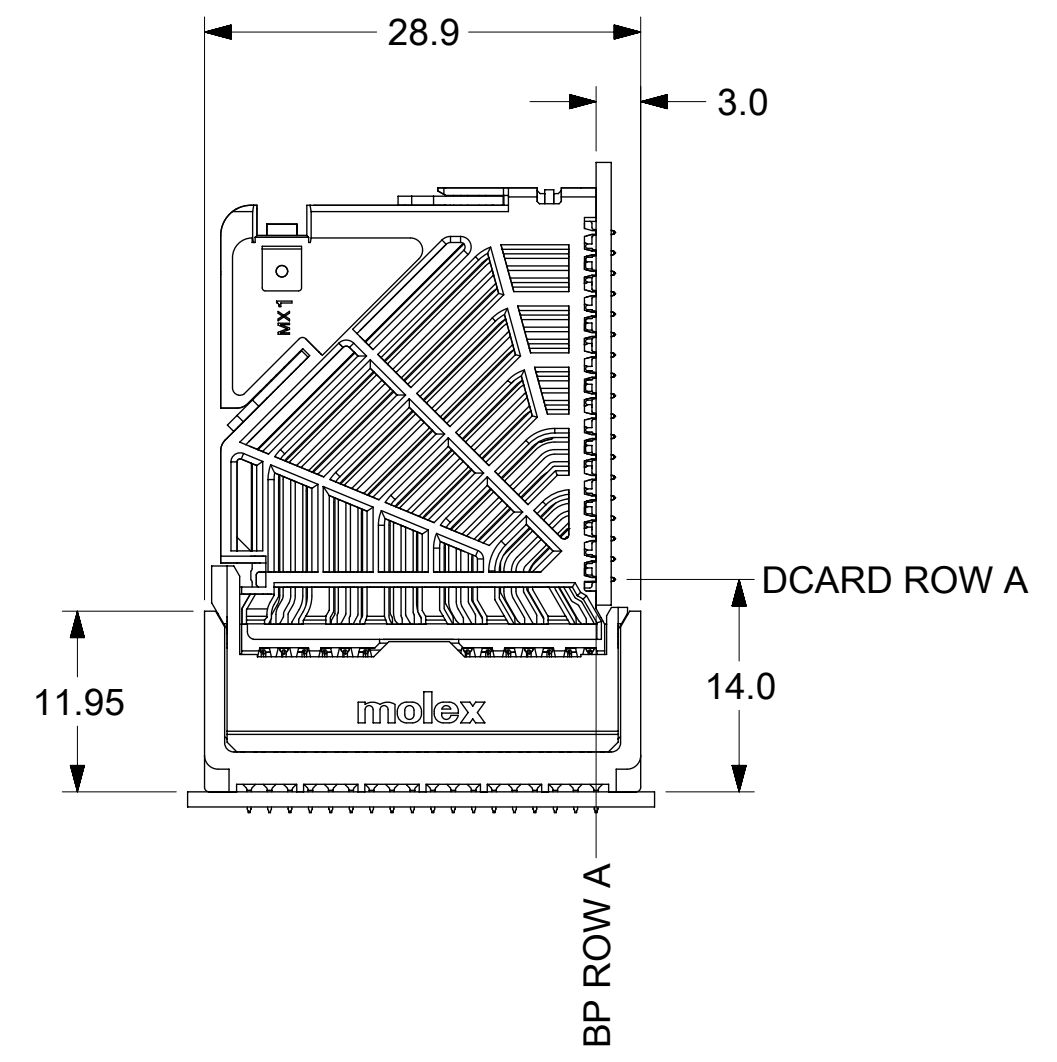
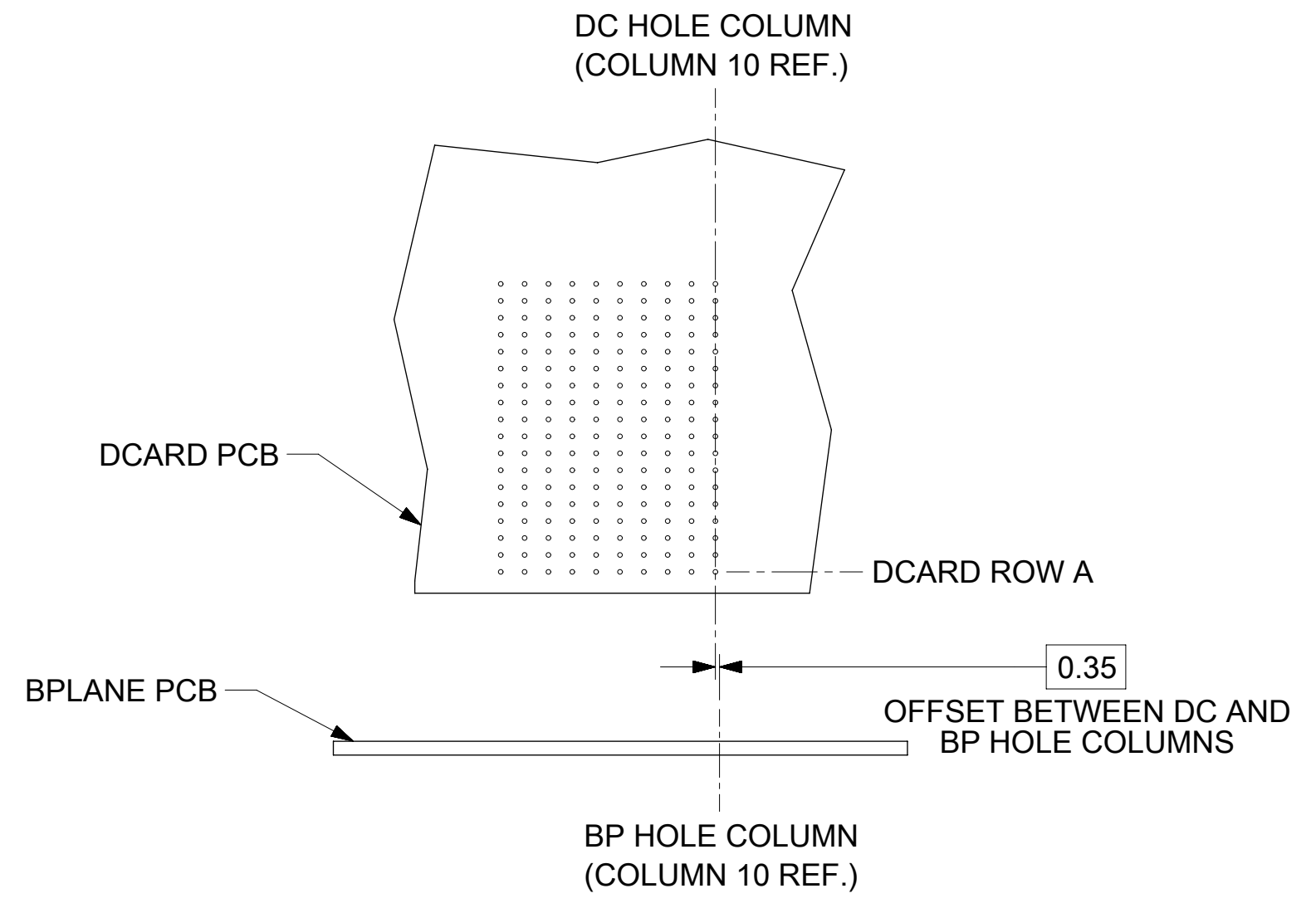
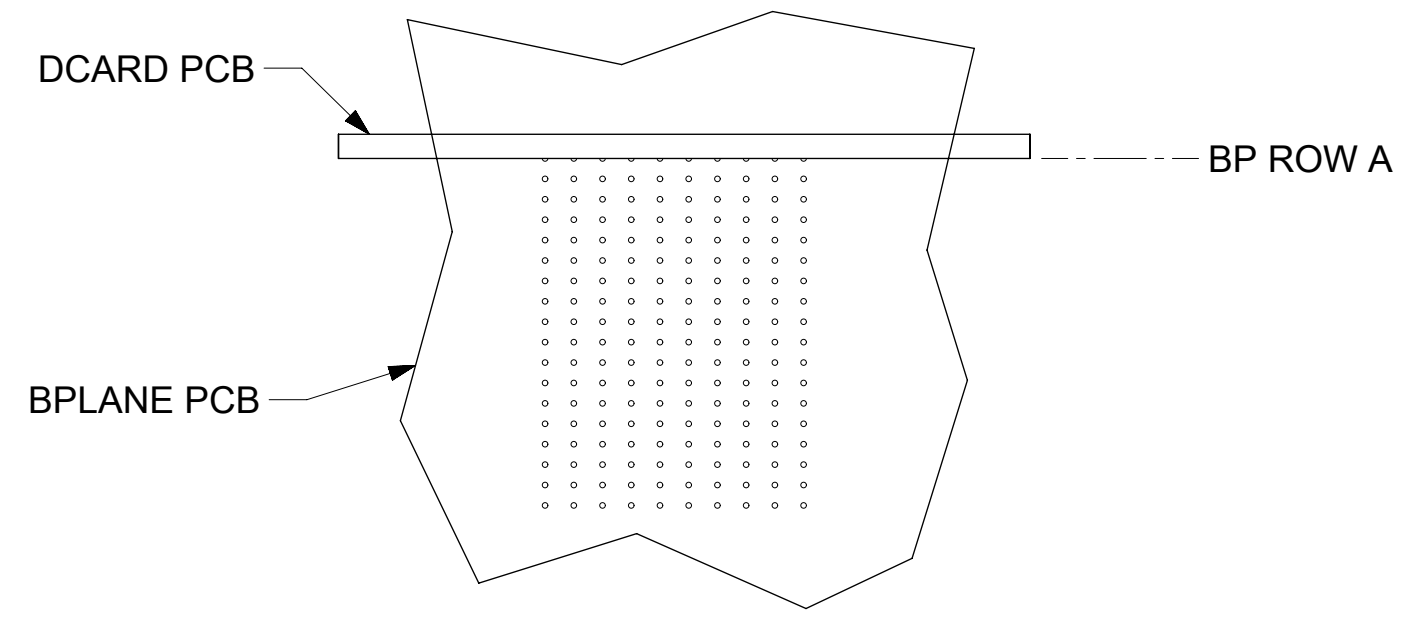
# OF COLUMNS  
8 = 8 COLUMN  
1 = 10 COLUMN  
4 = 14 COLUMN  
6 = 16 COLUMN

P = PIN LENGTH  
3 = 4.50 (SHORT COMPLIANT, 0.46±0.05 PTH)  
4 = 4.90 (SHORT COMPLIANT, 0.46±0.05 PTH)  
5 = 5.50 (SHORT COMPLIANT, 0.46±0.05 PTH)  
6 = 4.50 (MICRO COMPLIANT, 0.39±0.05 PTH)  
7 = 4.90 (MICRO COMPLIANT, 0.39±0.05 PTH)  
8 = 5.50 (MICRO COMPLIANT, 0.39±0.05 PTH)

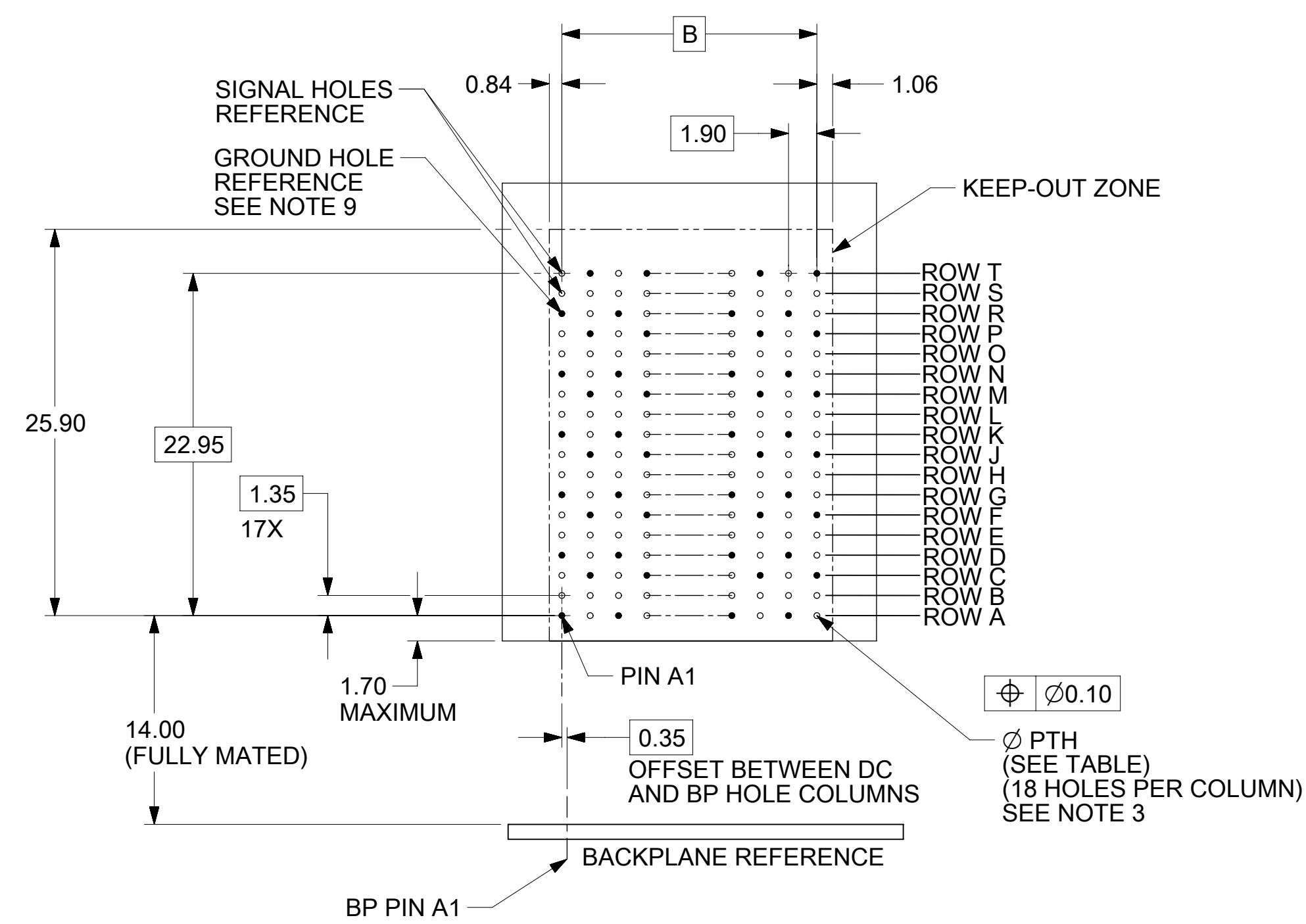
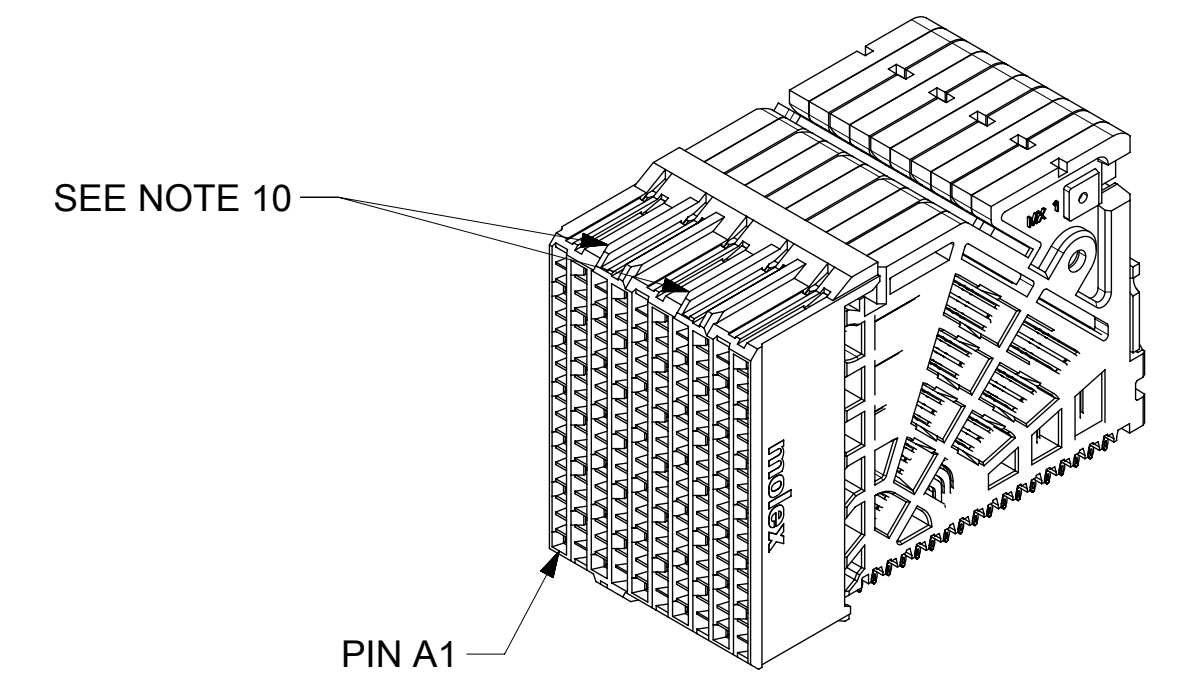
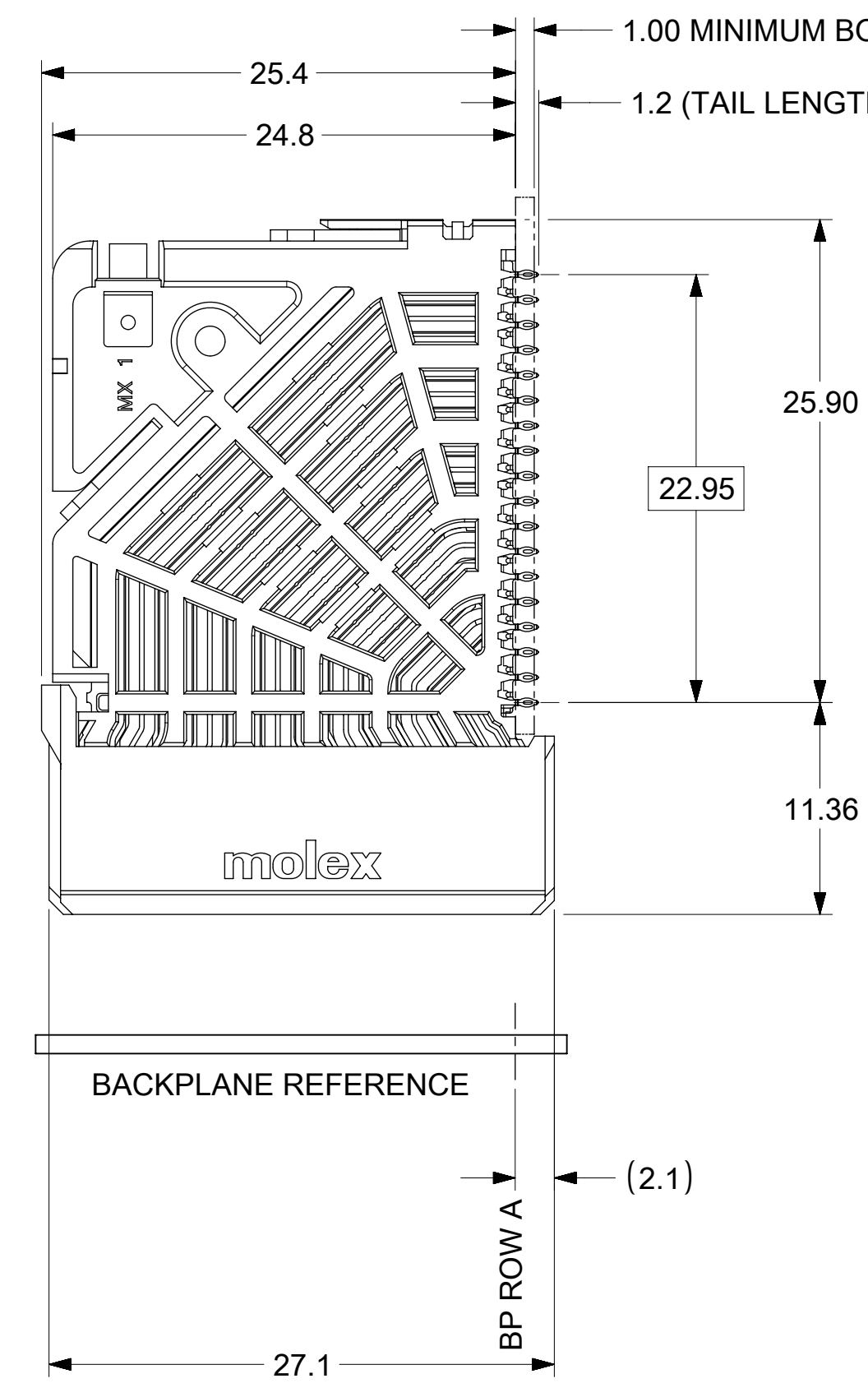
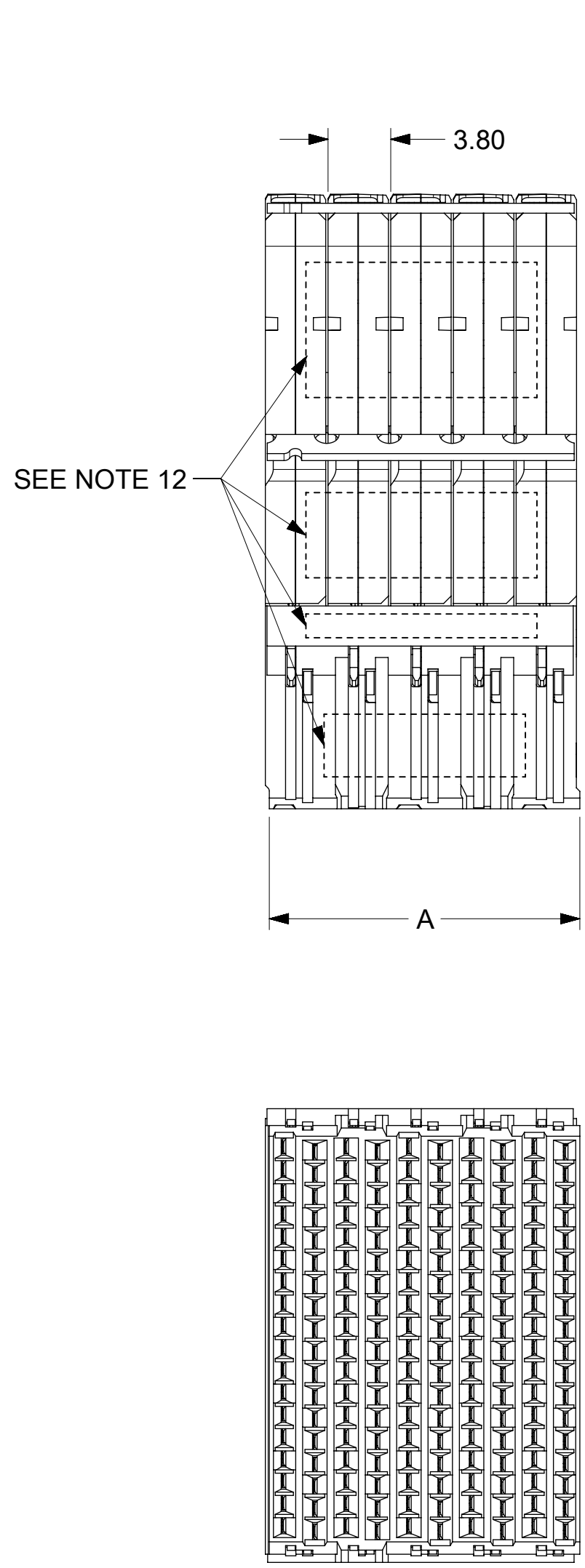
END WALL OPTIONS  
0 = OPEN ENDS  
1 = LEFT END WALL  
2 = DUAL END WALL  
3 = RIGHT END WALL

THIS DRAWING CONTAINS INFORMATION THAT IS PROPRIETARY TO MOLEX ELECTRONIC TECHNOLOGIES, LLC AND SHOULD NOT BE USED WITHOUT WRITTEN PERMISSION											
MIGRATED TO NX EC NO: 168852 DRWN: ABABU01 CHKD: CD REV: APPR: GGA	2017/10/12	2017/11/30	2017/12/01	GENERAL TOLERANCES (UNLESS SPECIFIED)		DIMENSION UNITS	SCALE	<b>molex</b>			
	ANGULAR TOL ± 2.0 °		MM	2:1							
	4 PLACES ±	3 PLACES ±	2 PLACES ± 0.13	1 PLACE ± 0.25	0 PLACES ±	DRWN BY	DATE	JBINGHAM		2010/09/24	
	DRAFT WHERE APPLICABLE MUST REMAIN WITHIN DIMENSIONS		C	THIRD ANGLE PROJECTION		CHKD BY	DATE	JLAURX		2010/09/24	
	E1		REV	APPR	GGA	APPR BY	DATE	JLAURX		2013/02/07	
RELEASE STATUS	P1	RELEASE DATE	01.12.2017	12:29:14	SERIES		MATERIAL NUMBER	CUSTOMER	PRODUCT CUSTOMER DRAWING		
							170535	SEE CHART	GENERAL MARKET		
							DOCUMENT NUMBER	PSD	DOC PART	SHEET NUMBER	
							SD-170535-0001	001	2 OF 3		

# IMPACT 6 PAIR BOARD RELATIONSHIPS



THIS DRAWING CONTAINS INFORMATION THAT IS PROPRIETARY TO MOLEX ELECTRONIC TECHNOLOGIES, LLC AND SHOULD NOT BE USED WITHOUT WRITTEN PERMISSION											
MIGRATED TO NX	EC NO: 168852	2017/10/12	GENERAL TOLERANCES (UNLESS SPECIFIED)		DIMENSION UNITS	SCALE	<b>molex</b>				
	DRWN: ABABU01	2017/11/30	ANGULAR TOL ± 2.0 °		MM	2:1					
	CHKD: CD	2017/12/01	4 PLACES ±	DRWN BY	DATE		IMPACT 6-PAIR 85-OHM UNGUIDED BACKPLANE SALES ASSEMBLY DRAWING				
	REV / APPR: GGA		3 PLACES ±	JBINGHAM	2010/09/24						
			2 PLACES ± 0.13	CHKD BY	DATE		PRODUCT CUSTOMER DRAWING				
		1 PLACE ± 0.25	JLAURX	2010/09/24							
		0 PLACES ±	APPR BY	DATE		SERIES MATERIAL NUMBER CUSTOMER 170535 SEE CHART GENERAL MARKET					
		DRAFT WHERE APPLICABLE MUST REMAIN WITHIN DIMENSIONS	JLAURX	2013/02/07							
E1	REV	APPR	DRAWING SIZE	THIRD ANGLE PROJECTION		DOCUMENT NUMBER DOC TYPE DOC PART SHEET NUMBER SD-170535-0001 PSD 001 3 OF 3					
			C								



**DAUGHTERCARD HOLE PATTERN (CONNECTOR SIDE)**

- NOTES:**
1. MATERIALS: HOUSING - LCP (LIQUID CRYSTAL POLYMER), GLASS FILLED, UL94V-0. TERMINALS - HIGH PERFORMANCE COPPER ALLOY.
  2. FINISH: 30 MICROINCHES MINIMUM GOLD IN CONTACT AREA; SELECTIVE MATTE TIN ON PCB TAILS; NICKEL UNDERPLATE OVERALL.
  3. REFER TO MOLEX PRODUCT SPECIFICATION PS-170540-999 FOR PERFORMANCE SPECIFICATIONS AND ADDITIONAL PCB INFORMATION.
  4. EACH SIGNAL WAFER CONTAINS 2 COLUMNS OF TERMINALS.
  5. PRODUCT IS PACKAGED PER PK-70873-589.
  6. THIS PART CONFORMS TO CLASS B REQUIREMENTS OF COSMETIC SPECIFICATION PS-45499-002.
  7. REFER TO MOLEX SALES DRAWING SD-170535-0001 AND RSD-170532-\*\*\*\* FOR THE MATING HEADERS.
  8. REFER TO MOLEX PCB ROUTING GUIDE AS-76060-990 FOR ANTIPAD AND ROUTING RECOMMENDATIONS.
  9. GROUND PATHS ARE NOT DISCRETE CIRCUITS WITHIN CONNECTOR DUE TO PRESENCE OF PLUS CLIP.
  10. PART NUMBER 170540-1020 SHOWN ON DRAWING. KEYING FEATURES WILL CHANGE WITH COLUMN SIZE.
  11. MINIMUM BOARD THICKNESS IS 1.00mm FOR COMPLIANT PIN FUNCTIONALITY.
  12. MARKING: LOCATED APPROXIMATELY AS SHOWN, PART NUMBER AND DATE CODE.

SYMBOLS										THIS DRAWING CONTAINS INFORMATION THAT IS PROPRIETARY TO MOLEX ELECTRONIC TECHNOLOGIES, LLC AND SHOULD NOT BE USED WITHOUT WRITTEN PERMISSION									
= 0		mm		SCALE		3:1		CURRENT REV		DESC: ADD 14 COL OPTIONS		<p>IMPACT 6 PAIR PLUS 85OHM DAUGHTERCARD SIGNAL UNGUIDED SALES DRAWING</p> <p>PRODUCT CUSTOMER DRAWING</p>							
= 0		GENERAL TOLERANCES (UNLESS SPECIFIED)		ANGULAR TOL		± 0.5°		EC NO: 603057		DRWN: DMORGAN 2018/04/09									
= 0		4 PLACES		±		±		CHK'D: TELO		APPR: TELO		INITIAL REVISION:		DRWN: KBENES 2012/08/17		2012/08/23		APP: TELO	
= 0		3 PLACES		±		±		APP: TELO		2018/08/28		DOCUMENT NUMBER		SD-170540-0001		DOC TYPE		PSD	
= 0		2 PLACES		±		± 0.13		INITIAL REVISION:		DRWN: KBENES 2012/08/17		2012/08/23		DOC PART		001		D	
= 0		1 PLACE		±		± 0.25		THIRD ANGLE PROJECTION		DRAWING		SERIES		MATERIAL NUMBER		CUSTOMER		SHEET NUMBER	
= 0		0 PLACES		±		±		C-SIZE		170540		SEE TABLE		GENERAL MARKET		1 OF 2			
= 0		DRAFT WHERE APPLICABLE MUST REMAIN WITHIN DIMENSIONS		THIRD ANGLE PROJECTION		DRAWING		SERIES		MATERIAL NUMBER		CUSTOMER		SHEET NUMBER		1 OF 2			

MATERIAL NUMBER	NUMBER OF COLUMNS	NUMBER OF DIFF PAIR	DIMNEISON A MAXIMUM	DIMENSION B	PTH Ø
1705401008	8	48	15.20	13.30	0.46±0.05
1705401010	10	60	19.00	17.10	
1705401014	14	84	26.60	24.70	
1705401016	16	96	30.40	28.50	
1705401038	8	48	15.20	13.30	0.39±0.05
1705401020	10	60	19.00	17.10	
1705401024	14	84	26.60	24.70	
1705401026	16	96	30.40	28.50	


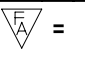
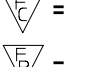
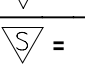
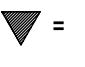
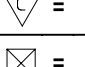
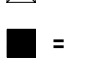
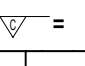

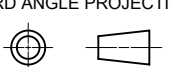
170540- 1 0 \* \*

MODULE & TAIL PLATING TYPE  
1 = UNGUIDED, LEAD-FREE

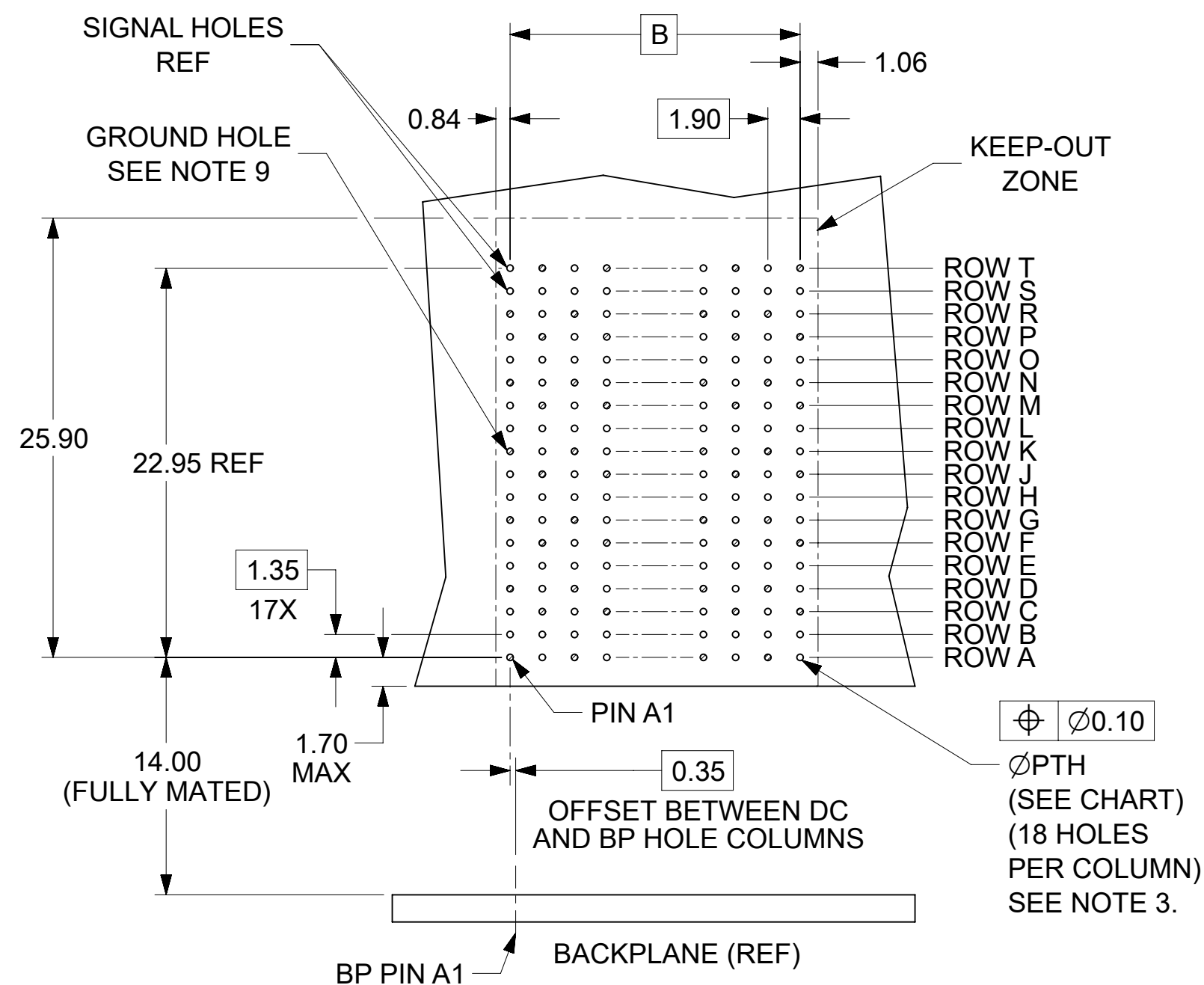
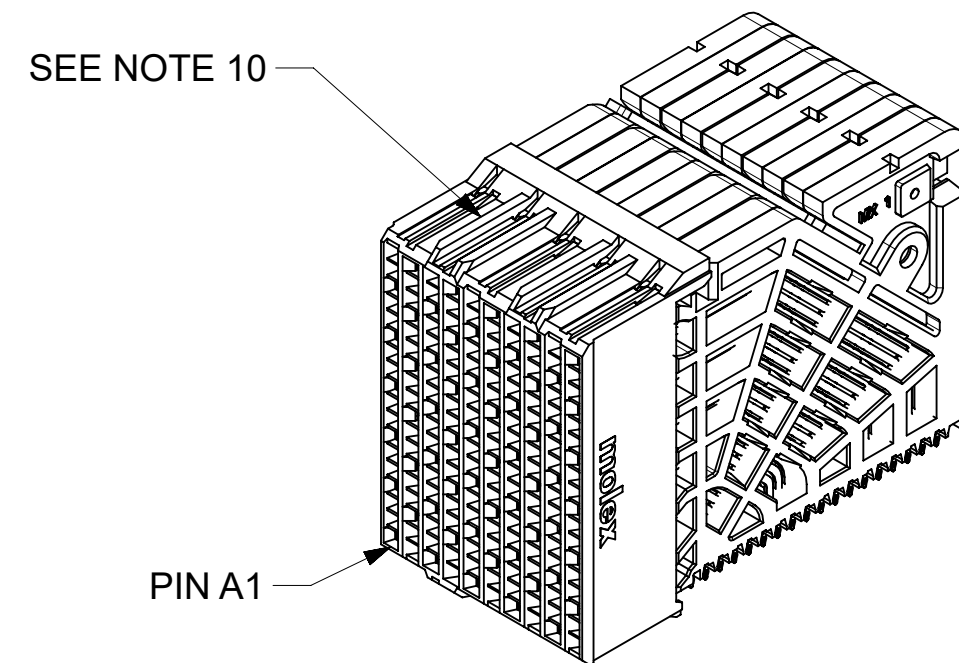
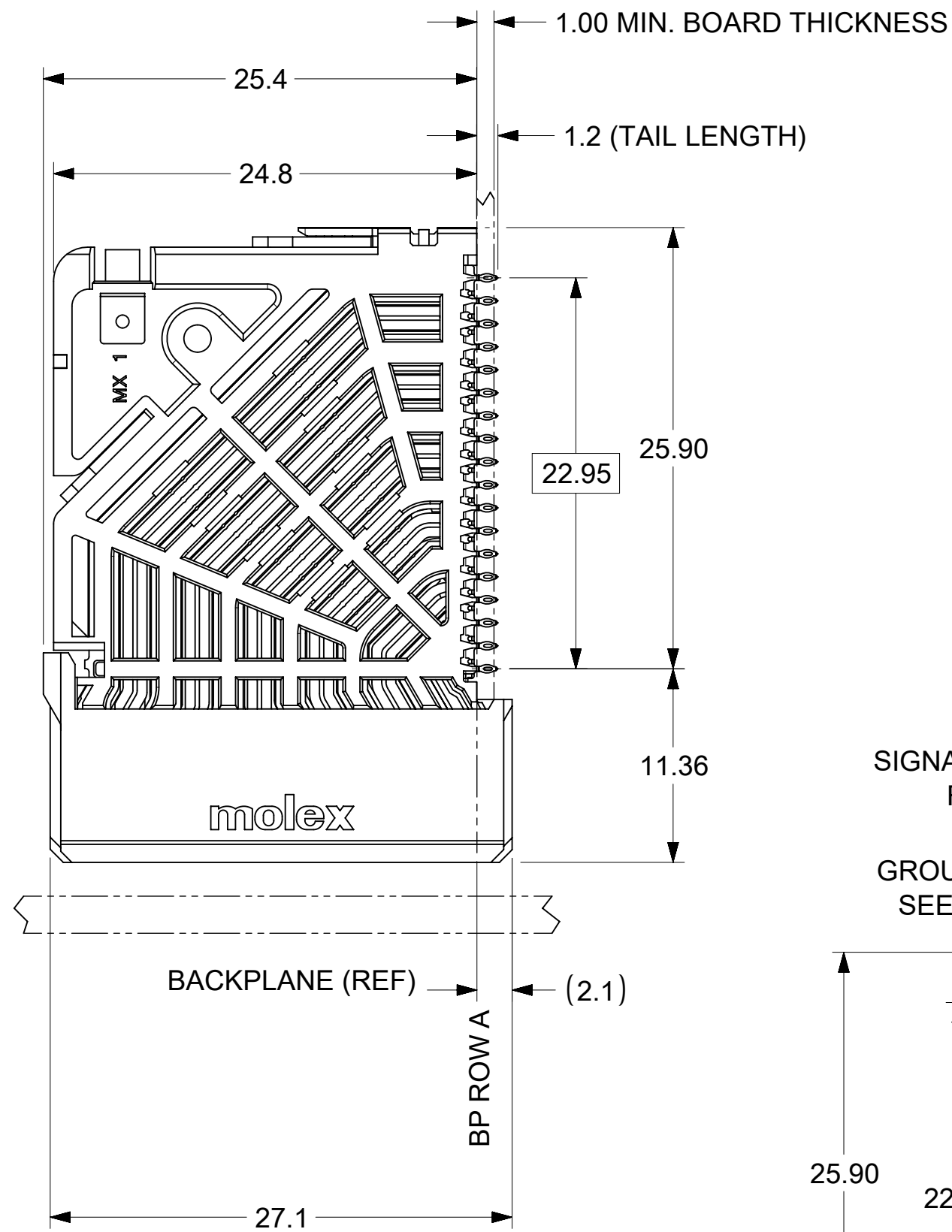
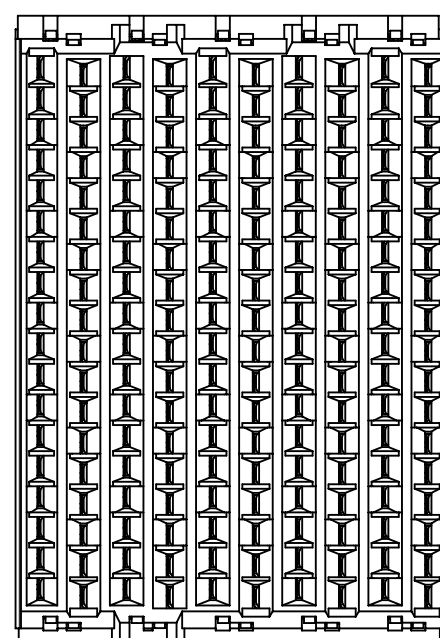
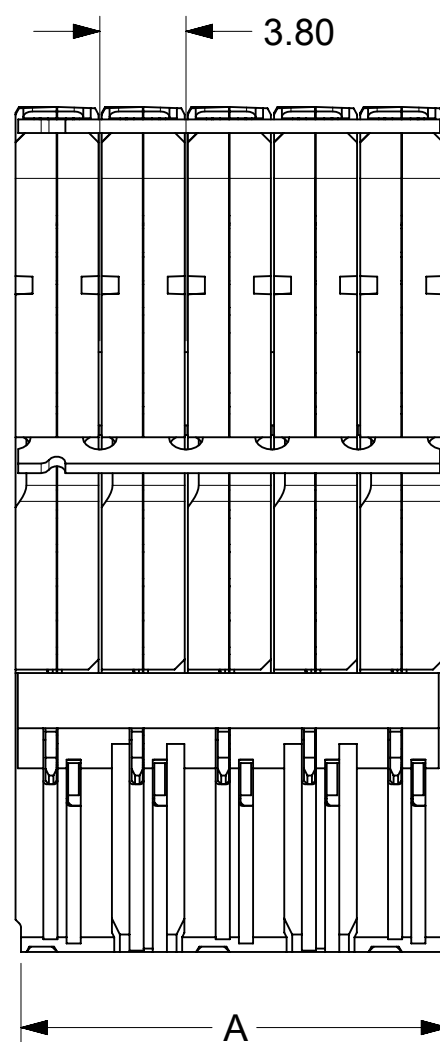
NUMBER OF COLUMNS

08 = 8 COLUMN 0.46 PTH  
10 = 10 COLUMN 0.46 PTH  
14 = 14 COLUMN 0.46 PTH  
16 = 16 COLUMN 0.46 PTH

38 = 8 COLUMN 0.39 PTH  
20 = 10 COLUMN 0.39 PTH  
24 = 14 COLUMN 0.39 PTH  
26 = 16 COLUMN 0.39 PTH

SYMBOLS	THIS DRAWING CONTAINS INFORMATION THAT IS PROPRIETARY TO MOLEX ELECTRONIC TECHNOLOGIES, LLC AND SHOULD NOT BE USED WITHOUT WRITTEN PERMISSION											
	DIMENSION UNITS	SCALE	CURRENT REV DESC: ADD 14 COL OPTIONS									
	 = 0	mm	1:1									
	 = 0	GENERAL TOLERANCES (UNLESS SPECIFIED)		EC NO: 603057							IMPACT 6 PAIR PLUS 85OHM DAUGHTERCARD SIGNAL UNGUIDED SALES DRAWING	
	 = 0	ANGULAR TOL	± 0.5°	DRWN: DMORGAN 2018/04/09								
	 = 0	4 PLACES	±	CHK'D: TELO 2018/08/28							PRODUCT CUSTOMER DRAWING	
	 = 0	3 PLACES	±	APPR: TELO 2018/08/28								
	 = 0	2 PLACES	± 0.13	INITIAL REVISION:							DOCUMENT NUMBER SD-170540-0001	
	 = 0	1 PLACE	± 0.25	DRWN: KBENES 2012/08/17								
	 = 0	0 PLACES	±	APPR: TELO 2012/08/23							DOC PART 001	
= 0	DRAFT WHERE APPLICABLE MUST REMAIN WITHIN DIMENSIONS		THIRD ANGLE PROJECTION		DRAWING	SERIES	MATERIAL NUMBER	CUSTOMER	SHEET NUMBER			
= 0					C-SIZE	170540	SEE TABLE	GENERAL MARKET	2 OF 2			

DOCUMENT STATUS	P1	RELEASE DATE	2018/08/28	17:05:04
-----------------	----	--------------	------------	----------



**NOTES:**

1. MATERIALS: HOUSING - LIQUID CRYSTAL POLYMER (LCP), GLASS-FILLED, UL94V-0  
TERMINALS - HIGH PERFORMANCE COPPER ALLOY
2. FINISH: 10µIN MIN GOLD IN CONTACT AREA, SELECTIVE TIN  
ON PCB TAILS, NICKEL OVERALL.
3. REFER TO MOLEX PRODUCT SPEC PS-170540-999 FOR PERFORMANCE SPECIFICATIONS  
AND ADDITIONAL PCB INFORMATION.
4. EACH SIGNAL WAFER CONTAINS 2 COLUMNS OF TERMINALS.
5. PRODUCT IS PACKAGED PER PK-70873-589.
6. THIS PART CONFORMS TO CLASS B REQUIREMENTS OF COSMETIC SPEC PS-45499-002.
7. REFER TO MOLEX SALES DRAWING SD-170535-0001 AND RSD-170532-XXXX FOR THE  
MATING HEADERS.
8. REFER TO MOLEX PCB ROUTING GUIDE AS-76060-990 FOR ANTIPAD AND ROUTING  
RECOMMENDATIONS.
9. GROUND PATHS ARE NOT DISCRETE CIRCUITS WITHIN CONNECTOR DUE TO  
PRESENCE OF PLUS CLIP.
10. PART NUMBER 170540-1020 SHOWN ON DRAWING. KEYING FEATURES WILL CHANGE  
WITH COLUMN SIZE.
11. MINIMUM BOARD THICKNESS IS 1.00MM FOR COMPLIANT PIN FUNCTIONALITY.

**DAUGHTERCARD HOLE PATTERN (CONNECTOR SIDE)**

THIS DRAWING CONTAINS INFORMATION THAT IS PROPRIETARY TO MOLEX ELECTRONIC TECHNOLOGIES, LLC AND SHOULD NOT BE USED WITHOUT WRITTEN PERMISSION											
DIMENSION UNITS		SCALE		CURRENT REV DESC: REMASTERED TO NX							
mm		NTS									
GENERAL TOLERANCES (UNLESS SPECIFIED)				EC NO: 705090		2021/10/02		<b>IMPACT 6 PAIR PLUS 85OHM DAUGHTERCARD SIGNAL UNGUIDED SALES DWG MAPS</b>			
				DRWN: SKANDB		2022/02/10					
4 PLACES		±		CHK'D: DYARAS		2022/05/13		<b>PRODUCT CUSTOMER DRAWING</b>			
3 PLACES		±		APPR: LZENG							
2 PLACES		± 0.13		INITIAL REVISION:				<b>SD-173120-0001</b>			
1 PLACE		± 0.25		DRWN: MKRAUSE		2015/02/09					
0 PLACES		±		APPR: TELO		2015/03/02		DOCUMENT NUMBER		DOC TYPE   DOC PART   REVISION	
ANGULAR TOL		± 0.5 °		THIRD ANGLE PROJECTION		DRAWING		SERIES		MATERIAL NUMBER   CUSTOMER	
DRAFT WHERE APPLICABLE MUST REMAIN WITHIN DIMENSIONS				C-SIZE		173120		SEE TABLE		GENERAL MARKET	
				SHEET NUMBER		1 OF 2					

MATERIAL NUMBER	# OF COLUMNS	# OF DIFF PAIR	DIM "A" MAX	DIM "B"	PTHØ
173120-1008	8	48	15.20	13.30	0.46 ±0.05
173120-1010	10	60	19.00	17.10	
173120-1016	16	96	30.40	28.50	
173120-1038	8	48	15.20	13.30	0.39 ±0.05
173120-1020	10	60	19.00	17.10	
173120-1026	16	96	30.40	28.50	

173120-10\*\*

MODULE & TAIL PLATING TYPE  
1 = UNGUIDED, LEAD-FREE

# OF COLUMNS  
08 = 8 COL 0.46 PTH  
10 = 10 COL 0.46 PTH  
16 = 16 COL 0.46 PTH  
20 = 10 COL 0.39 PTH  
26 = 16 COL 0.39 PTH  
38 = 08 COL 0.39 PTH

THIS DRAWING CONTAINS INFORMATION THAT IS PROPRIETARY TO MOLEX ELECTRONIC TECHNOLOGIES, LLC AND SHOULD NOT BE USED WITHOUT WRITTEN PERMISSION									
DIMENSION UNITS		SCALE		CURRENT REV DESC: REMASTERED TO NX			<b>molex</b>		
mm		NTS							
GENERAL TOLERANCES (UNLESS SPECIFIED)				EC NO: 705090 DRWN: SKANDB 2021/10/02 CHK'D: DYARAS 2022/02/10 APPR: LZENG 2022/05/13 INITIAL REVISION: DRWN: MKRAUSE 2015/02/09 APPR: TELO 2015/03/02			IMPACT 6 PAIR PLUS 85OHM DAUGHTERCARD SIGNAL UNGUIDED SALES DWG MAPS		
		MM	INCH				PRODUCT CUSTOMER DRAWING		
4 PLACES	±		±						
3 PLACES	±		±						
2 PLACES	±	0.13	±						
1 PLACE	±	0.25	±						
0 PLACES	±		±	DOCUMENT NUMBER					
ANGULAR TOL		± 0.5 °		SD-173120-0001			DOC TYPE	DOC PART	REVISION
DRAFT WHERE APPLICABLE MUST REMAIN WITHIN DIMENSIONS		THIRD ANGLE PROJECTION		DRAWING	SERIES	MATERIAL NUMBER	CUSTOMER		SHEET NUMBER
				C-SIZE	173120	SEE TABLE	GENERAL MARKET		2 OF 2

DOCUMENT STATUS	P1	RELEASE DATE	2022/05/13 03:05:16
-----------------	----	--------------	---------------------