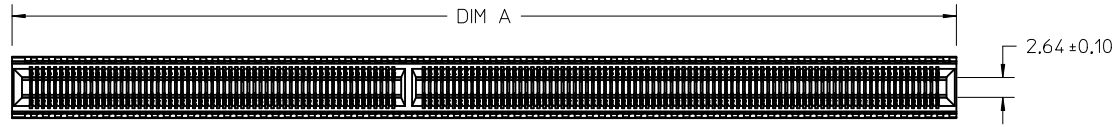
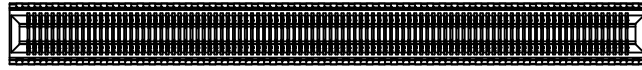


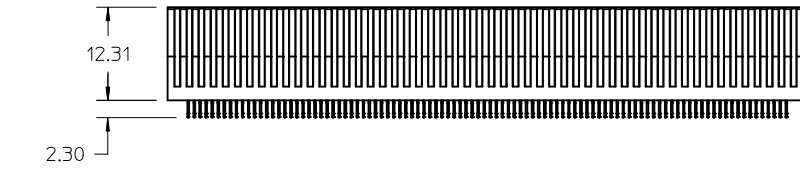
PART NUMBER	VERSION	BAY 1/BAY 2	TOTAL CIRCUITS	DIM A	SALES DRAWING (SEE NOTE 7)
170672-2294	2 BAY	122/172	294	125.03	SD-170672-2294
170672-2278	2 BAY	146/132	278	118.63	SD-170672-2278
170672-1200	1 BAY	200	200	84.20	SD-170672-1200
170672-1170	1 BAY	170	170	72.20	SD-170672-1170
170672-2108	2 BAY	86/22	108	50.6	SD-170672-2108



2 BAY EDGELINE

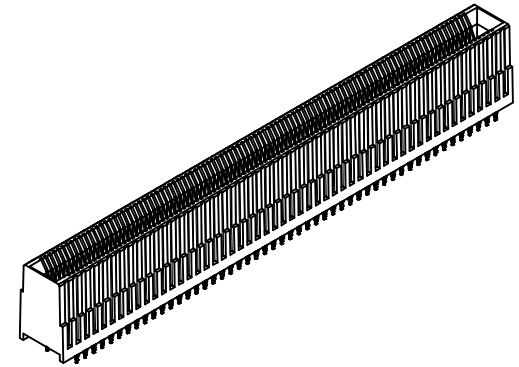
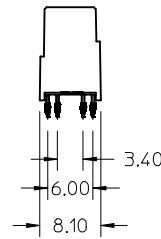


1 BAY EDGELINE



LAST CIRCUIT

FIRST CIRCUIT



NOTES:

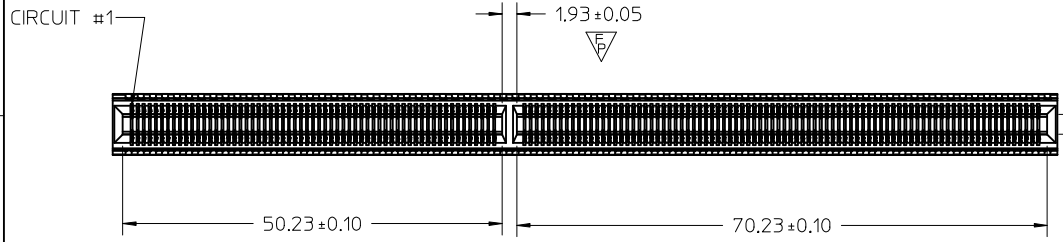
- MATERIAL:
HOUSING - GLASS FILLED THERMOPLASTIC, 94-V0, BLACK
TERMINALS - COPPER ALLOY
- FINISH:
CONTACT AREA: HARD GOLD -0.76µm MIN OVER 3.80µ NICKEL
COMPLIANT AREA: TIN - 0.76/1.52µm OVER NICKEL
- REFER TO PS-75594-999 PRODUCT SPECIFICATION FOR ALL ELECTRICAL, MECHANICAL AND ENVIRONMENTAL SPECIFICATIONS.
- PROCESSING: PRESSFIT TO PC BOARD.
- MATING PC BOARD THICKNESS = 2.36±10% OVER CONTACT PADS.
- THIS PART CONFORMS TO CLASS B REQUIREMENTS OF COSMETIC SPEC PS-45499-002
- FOR EDGE CARD AND MOUNTING PCB LAYOUT DETAIL SEE CORRESPONDING SALES DRAWING.

REV	DESCRIPTION	QUALITY SYMBOLS
C1	CORRECT 10% TOLERANCE IEC NO: UCP2017-1945 DRW:MP0FF 2017/03/09 CHK:DMORGAN 2017/03/09 APPR:KLANG 2017/03/15	

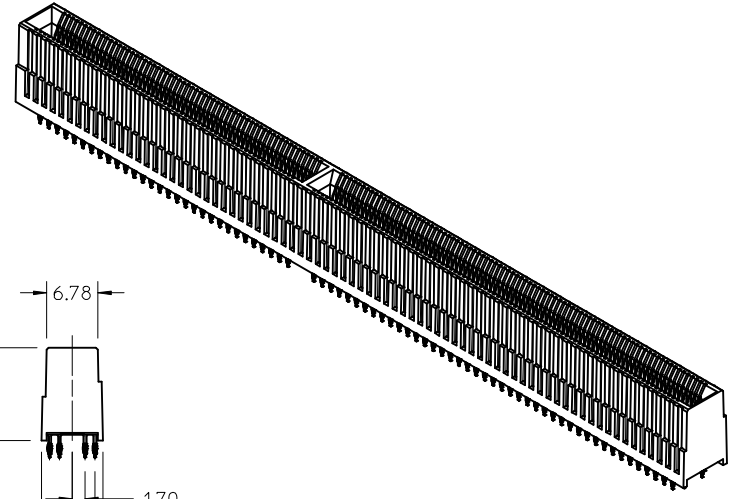
GENERAL TOLERANCES (UNLESS SPECIFIED)	
mm	INCH
4 PLACES ± .005	± .0004
3 PLACES ± .003	± .0001
2 PLACES ± .002	± .0001
1 PLACE ± .001	± .0001
0 PLACE ±	±
ANGULAR ±1/2°	
DRAFT WHERE APPLICABLE MUST REMAIN WITHIN DIMENSIONS	

DIMENSION STYLE	
MM ONLY	
DRAWN BY	DATE
DROSCA	2010/07/01
CHECKED BY	DATE
JCOMERCI	2011/03/28
APPROVED BY	DATE
JCOMERCI	2010/10/25
MATERIAL NO.	
SEE TABLE	
SIZE	C

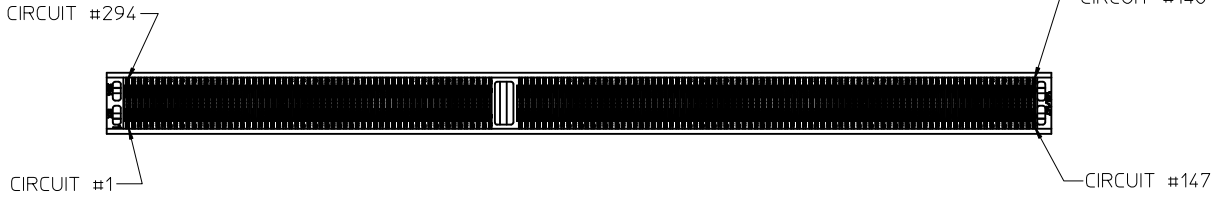
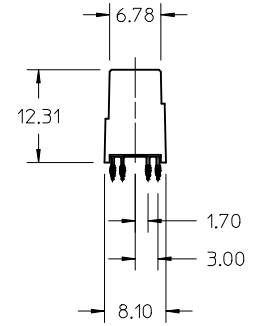
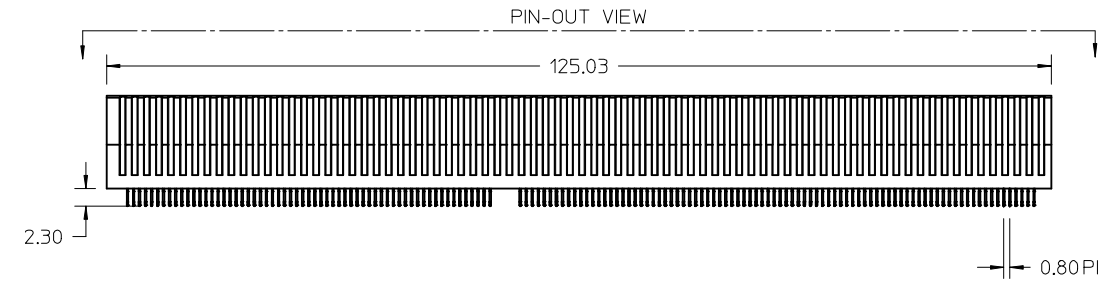
SCALE	DESIGN UNITS	THIRD ANGLE PROJECTION
2:1	METRIC	
TITLE		
EDGELINE 12.5GB 0.093" PCB 0.8MM PITCH		
molex		
DOCUMENT NO.	SHEET NO.	
SD-170672-0001	1 OF 1	



2.64 ± 0.10



PIN-OUT VIEW



NOTES:

1. MATERIAL:
HOUSING - GLASS FILLED THERMOPLASTIC, 94-V0, BLACK
TERMINALS - COPPER ALLOY
2. FINISH:
CONTACT AREA: HARD GOLD -0.76µm MIN OVER 3.80µ NICKEL
COMPLIANT AREA: TIN - 0.76/1.52µm OVER NICKEL
3. REFER TO PS-75594-999 PRODUCT SPECIFICATION FOR ALL ELECTRICAL, MECHANICAL AND ENVIRONMENTAL SPECIFICATIONS.
4. REFER TO PK-76693-900 FOR ALL PACKAGING SPECIFICATIONS.
5. PROCESSING: PRESSFIT TO PC BOARD.
6. MATING PC BOARD THICKNESS = 2.36±10% OVER CONTACT PADS.
7. THIS PART CONFORMS TO CLASS B REQUIREMENTS OF COSMETIC SPEC PS-45499-002.

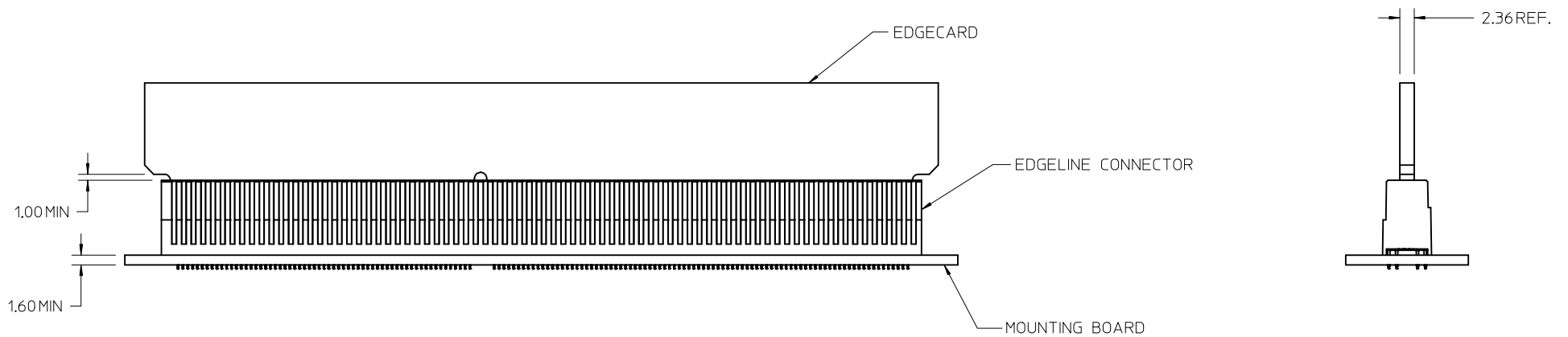
REV	DESCRIPTION	QUALITY SYMBOLS
D1	DRWINPOFF 2017/03/09 CHKD:MORGAN 2017/03/09 APPR:KLANG 2017/03/15	□=0 □=1 □=1

GENERAL TOLERANCES (UNLESS SPECIFIED)	
mm	INCH
4 PLACES ± ---	± ---
3 PLACES ± ---	± ---
2 PLACES ± 0.15	± ---
1 PLACE ± 0.25	± ---
0 PLACE ±	±
ANGULAR ± 2 °	
DRAFT WHERE APPLICABLE MUST REMAIN WITHIN DIMENSIONS	

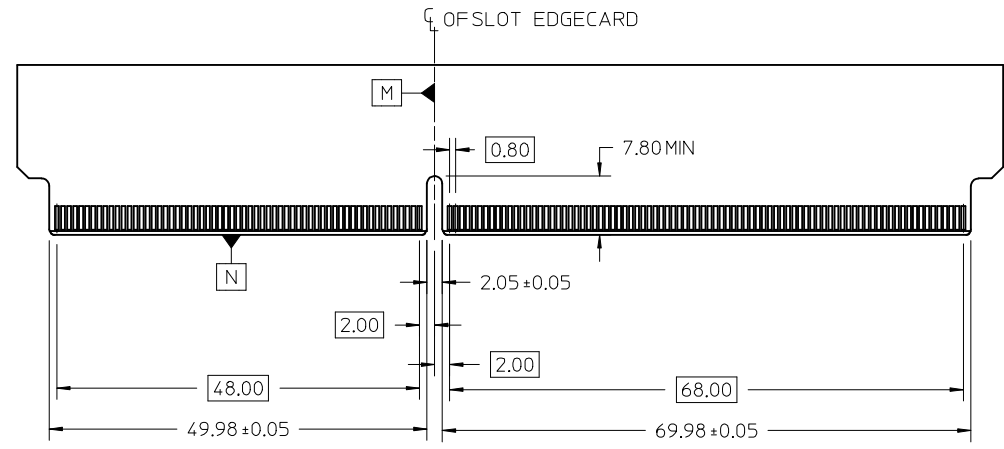
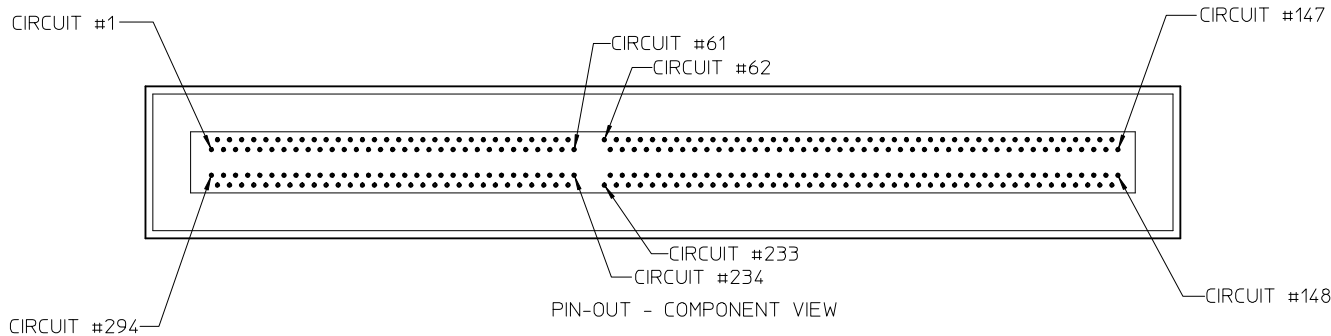
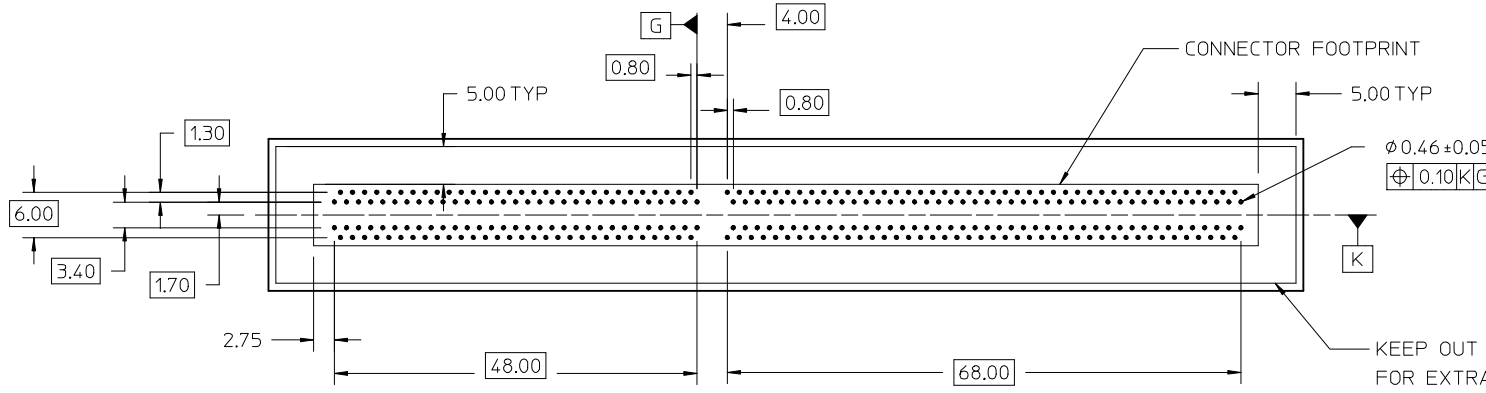
DIMENSION STYLE	
MM ONLY	
DRAWN BY	DATE
DROSCA	2011/03/16
CHECKED BY	DATE
JCOMERC I	2011/03/28
APPROVED BY	DATE
JCOMERC I	2011/03/28
MATERIAL NO.	
1706722294	

SCALE	DESIGN UNITS	THIRD ANGLE PROJECTION
2:1	METRIC	
TITLE		
EDGELINE 0.093" 294CKTS 0.093"PCB 0.8MM PITCH		
molex		
DOCUMENT NO.	SHEET NO.	
SD-170672-2294	1 OF 4	
THIS DRAWING CONTAINS INFORMATION THAT IS PROPRIETARY TO MOLEX INCORPORATED AND SHOULD NOT BE USED WITHOUT WRITTEN PERMISSION		

EDGE LINE CONNECTOR BOARD MOUNTING

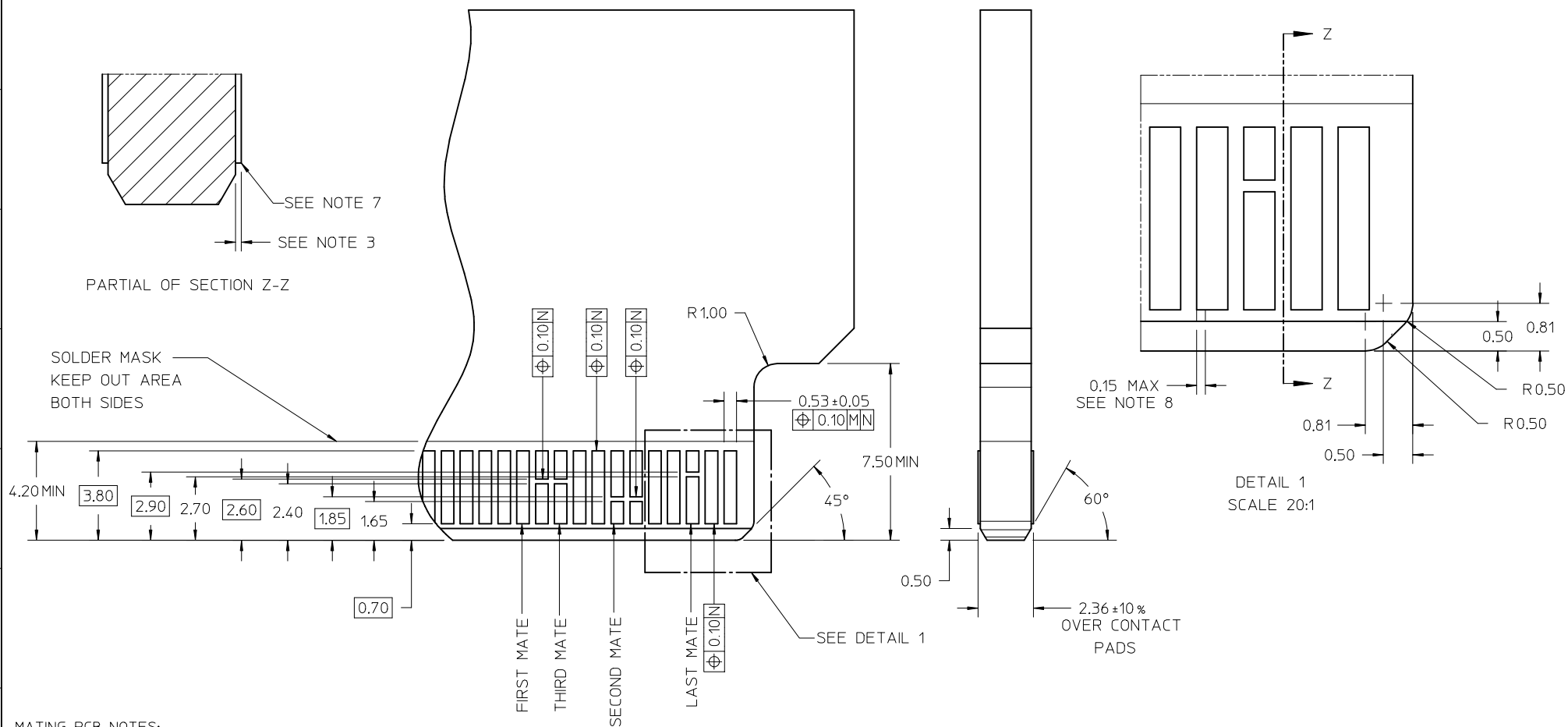


ENTER DESCRIPTION EC NO: UCP2017-1945 DRWN: PPOFF CHKD: JMORGAN APPR: KLANG	2017/03/09 2017/03/09 2017/03/15	DESCRIPTION REV:	QUALITY SYMBOLS ▽=0 ▽=0 ▽=0	GENERAL TOLERANCES (UNLESS SPECIFIED)		DIMENSION STYLE MM ONLY		SCALE 2:1	DESIGN UNITS METRIC	THIRD ANGLE PROJECTION
				mm	INCH	DRAWN BY DROSCA	DATE 2011/03/16	TITLE EDGE LINE 0.093" 294CKTS 0.093"PCB 0.8MM PITCH		
				4 PLACES ± ---	± ---	CHECKED BY JCOMERC I	DATE 2011/03/28			
				3 PLACES ± ---	± ---	APPROVED BY JCOMERC I	DATE 2011/03/28			
2 PLACES ± 0.15	± ---	MATERIAL NO. 9999999999		DOCUMENT NO. SD-170672-2294		SHEET NO. 2 OF 4				
1 PLACE ± 0.25	± ---	ANGULAR ± 2 °		THIS DRAWING CONTAINS INFORMATION THAT IS PROPRIETARY TO MOLEX INCORPORATED AND SHOULD NOT BE USED WITHOUT WRITTEN PERMISSION						
0 PLACE ±	±	DRAFT WHERE APPLICABLE MUST REMAIN WITHIN DIMENSIONS								



SEE SHEET 1 EC NO: UCP2017-1945 2017/03/09 DRWIN:POFF 2017/03/09 CHKD:DMORGAN 2017/03/15 APPR:KLANG	QUALITY SYMBOLS $\nabla = 0$ $\nabla = 0$ $\nabla = 0$	GENERAL TOLERANCES (UNLESS SPECIFIED)		DIMENSION STYLE MM ONLY		SCALE 2:1	DESIGN UNITS METRIC	THIRD ANGLE PROJECTION		
		4 PLACES	\pm ---	\pm ---	DRAWN BY DROSCA	DATE 2011/03/16	TITLE EDGELINE 0.093" 294CKTS 0.093"PCB 0.8MM PITCH			
		3 PLACES	\pm ---	\pm ---	CHECKED BY JCOMERC I	DATE 2011/03/28				
		2 PLACES	\pm 0.15	\pm ---	APPROVED BY JCOMERC I		DATE 2011/03/28	molex DOCUMENT NO. SD-170672-2294		
1 PLACE	\pm 0.25	\pm ---	MATERIAL NO.			SHEET NO. 3 OF 4				
0 PLACE	\pm	\pm	DRAFT WHERE APPLICABLE MUST REMAIN WITHIN DIMENSIONS		SIZE C	THIS DRAWING CONTAINS INFORMATION THAT IS PROPRIETARY TO MOLEX INCORPORATED AND SHOULD NOT BE USED WITHOUT WRITTEN PERMISSION				

MODULE EDGE CARD CONTACT DETAIL



MATING PCB NOTES:

- CONNECTOR LAND CONDITIONS SHALL MEET THE MOST CURRENT REVISION OF PCB SPECIFICATION IPC-6012C-2010 SECTION 3.5.4.4.
- DIMENSIONS APPLY TO LANDS ON BOTH SIDES OF THE BOARD.
- THE THICKNESS OF THE OUTER METAL LAYERS, INCLUDING FOIL, COPPER PLATING, AND THE PROTECTIVE SURFACE FINISH, SHALL BE 0.066mm MAX.
- CHAMFER ROUGHNESS NOT TO EXCEED 3.17 MICROMETERS.
- CHAMFER PROCESS SHALL NOT DAMAGE THE GOLD EDGE LANDS.
- EDGECARD CHAMFER NOT TO GO THRU GOLD LANDS.
- 0.03mm MAX PLATING OVERHANG ON ALL GOLD LAND EDGES.
- MOLEX RECOMMENDS NO TIE-BARS ON THE LEADING EDGE OF THE GOLD LAND. IF TIE-BARS ARE USED, THEY SHALL BE PLACED TO ONE SIDE OF THE GOLD LAND. APPLIES TO ALL GOLD LANDS.

SEE SHEET 1 EC NO: UCP2017-1945 DRWN: PPOFF CHKD: DMORGAN APPR: KLANG	2017/03/09 2017/03/09 2017/03/15	QUALITY SYMBOLS ▽=0 ▽=0 ▽=0	GENERAL TOLERANCES (UNLESS SPECIFIED)		DIMENSION STYLE MM ONLY		SCALE 8:1	DESIGN UNITS METRIC	THIRD ANGLE PROJECTION
			4 PLACES ± --- ± --- 3 PLACES ± --- ± --- 2 PLACES ± 0.15 ± --- 1 PLACE ± 0.25 ± --- 0 PLACE ± ±	mm INCH DRAWN BY DATE DROSCA 2011/03/16 CHECKED BY DATE JCOMERC I 2011/03/28 APPROVED BY DATE JCOMERC I 2011/03/28	TITLE EDGE LINE 0.093" 294CKTS 0.093" PCB 0.8MM PITCH		DOCUMENT NO. SD-170672-2294	SHEET NO. 4 OF 4	
D1	REVISION DESCRIPTION	ANGULAR ± 2 °	DRAFT WHERE APPLICABLE MUST REMAIN WITHIN DIMENSIONS		MATERIAL NO. SEE SHEET 1	THIS DRAWING CONTAINS INFORMATION THAT IS PROPRIETARY TO MOLEX INCORPORATED AND SHOULD NOT BE USED WITHOUT WRITTEN PERMISSION			