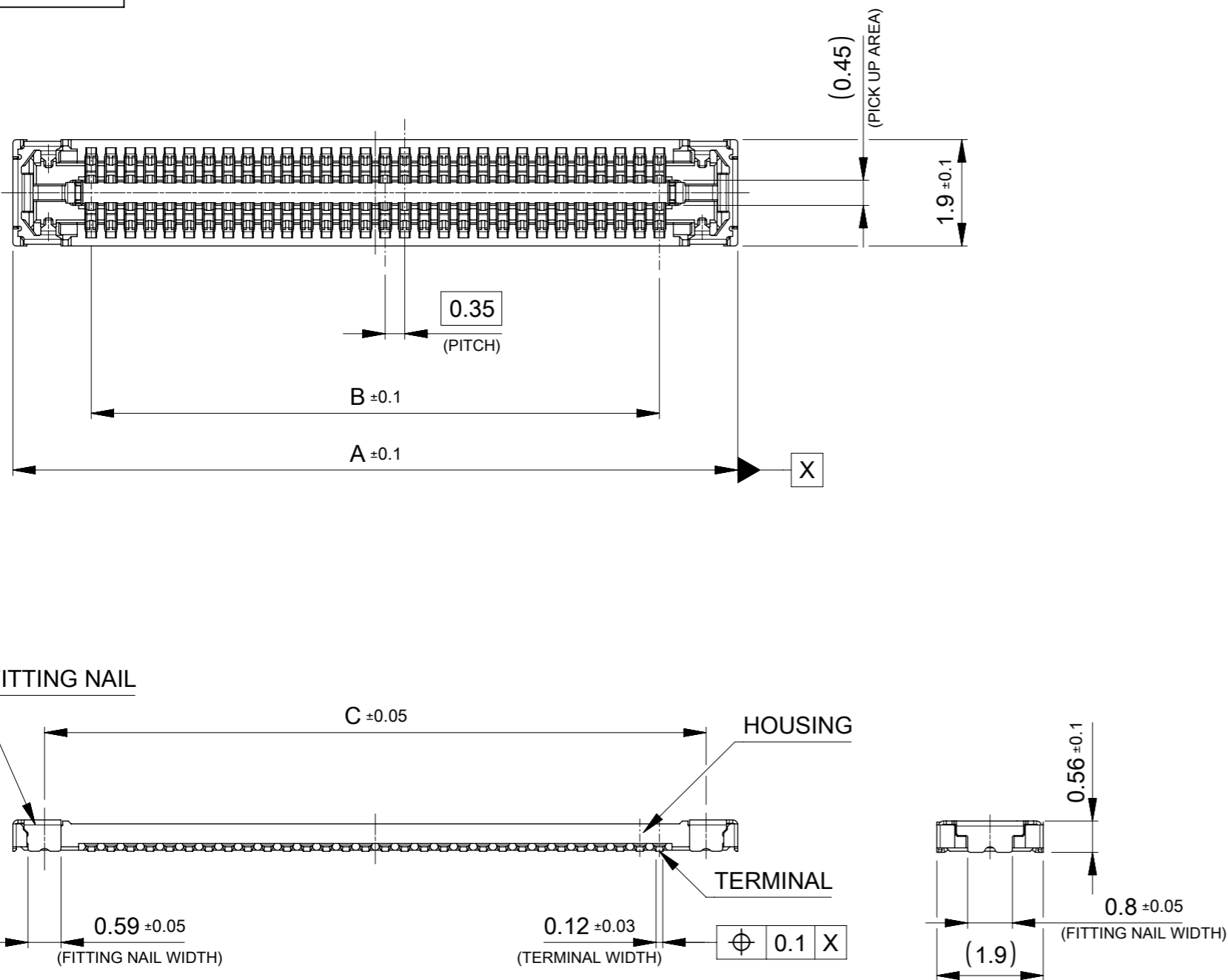


GENERAL DRAWING

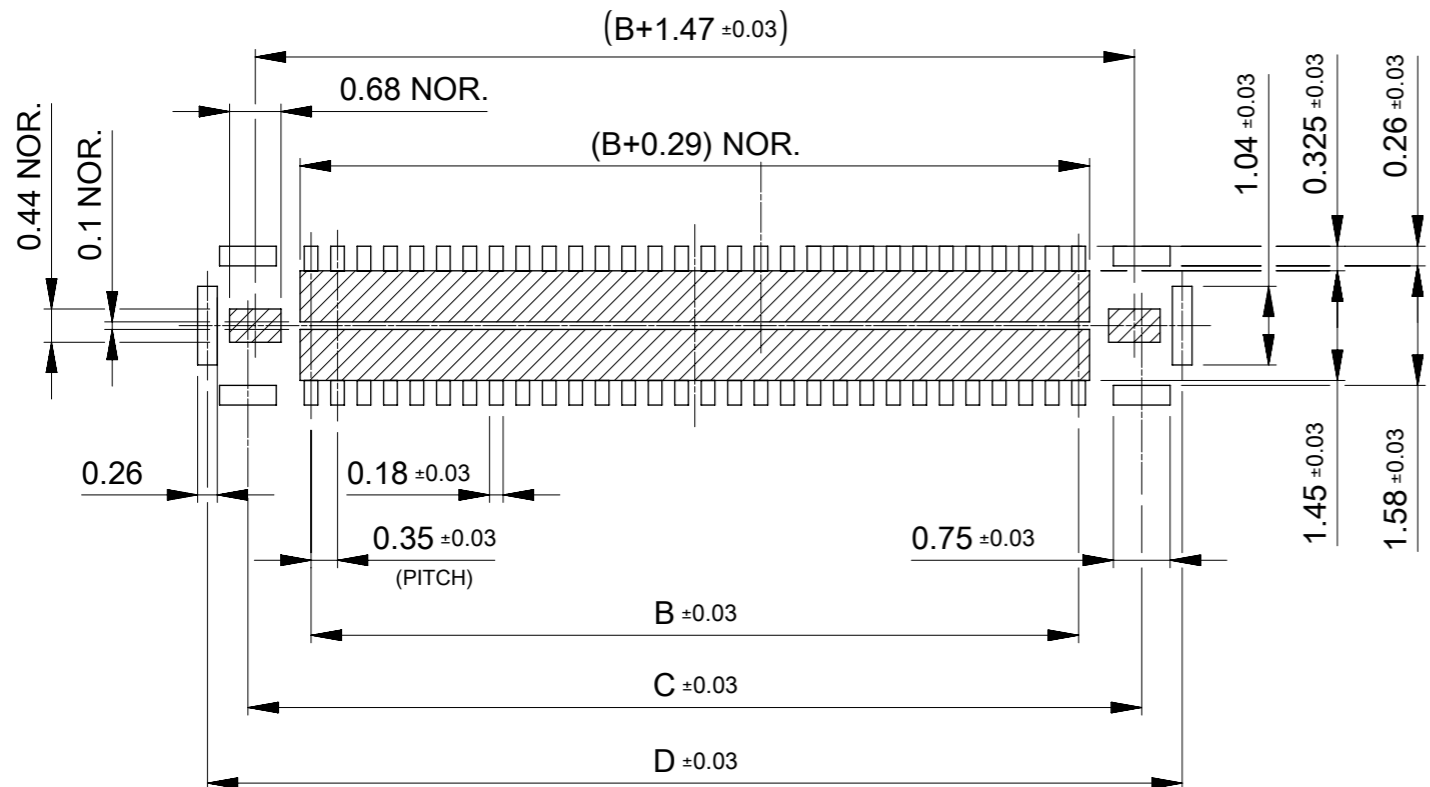


NOTES


- MATERIAL**  
 HOUSING : LIQUID CRYSTAL POLIMER UL94V-0 (COLOR : BLACK)  
 TERMINAL : COPPER ALLOY  
 FITTING NAIL : COPPER ALLOY
- PLATING**  
**TERMINAL :**  
 CONTACT AREA : GOLD PLATING(0.1µm MINIMUM)  
 SOLDER TAIL AREA : GOLD PLATING(0.05µm MINIMUM)  
 UNDER PLATING : NICKEL OVERALL(1.0µm MINIMUM)  
 \* DIVIED INTO PARTS THE GOLD PLATING OF THE CONTACT AND THE TAIL PART BY THE NICKEL PLATING.
- FITTING NAIL :**  
 CONTACT AREA : GOLD PLATING(0.1µm MINIMUM)  
 SOLDER TAIL AREA : GOLD PLATING(0.05µm MINIMUM)  
 UNDER PLATING : NICKEL OVERALL(1.0µm MINIMUM)  
 \* DIVIED INTO PARTS THE GOLD PLATING OF THE CONTACT AND THE TAIL PART BY THE NICKEL PLATING.
- MATE WITH : 216701\*\*\*\***
- COPLANARITY :** SHALL BE 0.08MAX. ON BOTH OF TERMINAL AND NAIL.  
 AND 0.1 MAX AFTER REFLOW
- PROHIBITED AREA OF PATTERN WIRING AND SOLDER.**  
 (FOR EACH AREA, THE WIRING THAT TOUCHES ON THE SOLDER CAN BE ATTACHED, THEN COVERED WITH A FILM TO KEEP SOLDER OUT)

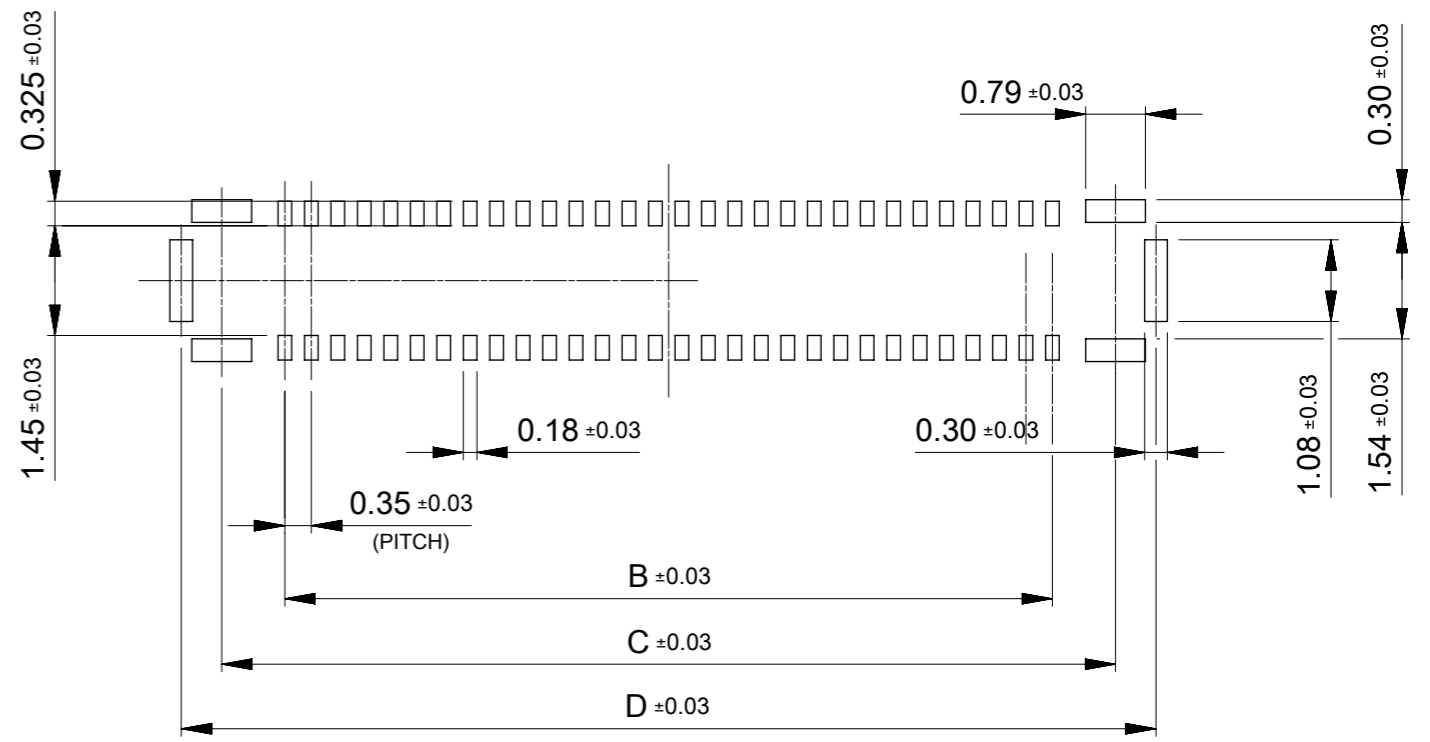
12.89	11.82	10.15	12.95	2167000609	---	O	60
11.84	10.77	9.10	11.90	2167000549	O	---	54
11.14	10.07	8.40	11.20	2167000509	O	---	50
9.39	8.32	6.65	9.45	2167000409	O	---	40
7.64	6.57	4.90	7.70	2167000309	---	O	30
6.59	5.52	3.85	6.65	2167000249	---	O	24
5.89	4.82	3.15	5.95	2167000209	O	---	20
4.14	3.07	1.40	4.20	2167000109	---	O	10
D	C	B	A	EMBOSSSED TAPE PACKAGE	HIGH VOL. TOOL	LOW VOL. TOOL	Ckts
				ORDER No.	SAMPLE PREPARATION		
				O : TOOLED □ : WORK PROCESS --- : TOOLING TO BE CONFIRMED			
CONNECTOR SERIES No. : 216700****							

FUNCTIONAL SYMBOLS	THIS DRAWING CONTAINS INFORMATION THAT IS PROPRIETARY TO MOLEX ELECTRONIC TECHNOLOGIES, LLC AND SHOULD NOT BE USED WITHOUT WRITTEN PERMISSION		CURRENT REV DESC:		<b>molex</b>
	mm	10:1			
▽A = 0	GENERAL TOLERANCES (UNLESS SPECIFIED)		EC NO: 746141		0.35 BB H=0.6 ACB6 PLUS REC ASSY
▽E = 0	ANGULAR TOL ± 1.0°		DRWN: DWLEE02		
▽F = 0	4 PLACES	± 0.05	2023/04/14		PRODUCT CUSTOMER DRAWING
	3 PLACES	± 0.05	2023/04/14		
	2 PLACES	± 0.05	2023/04/17		DOCUMENT NUMBER <b>2167000000-SD</b>
	1 PLACE	± 0.1	2023/04/13		
	0 PLACES	± 0.2	2023/04/17		DOC TYPE PSD
	DRAFT WHERE APPLICABLE MUST REMAIN WITHIN DIMENSIONS		THIRD ANGLE PROJECTION		
	DRAWING		SERIES		DOC PART 002
	A3-SIZE		216700		
	MATERIAL NUMBER		CUSTOMER		REVISION <b>A</b>
	SEE SHEET 1		GENERAL		
	SHEET NUMBER				1 OF 2




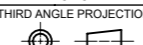
**RECOMMENDED P.C.BOARD PATTERN LAYOUT**  
(FOR REFERENCE)

 SOLDER PROHIBITED AREA.  
WHEN WIRING IS LOCATED,  
THE WIRING MUST BE MASKED BY COVER LAY OR RESIST FILM.

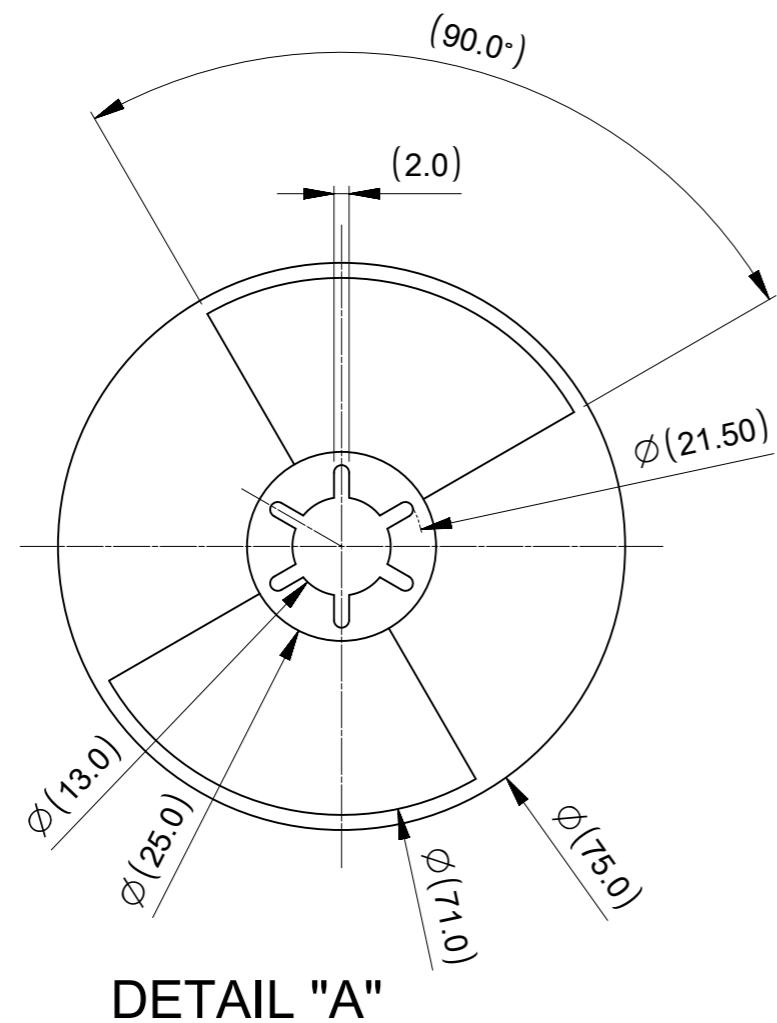
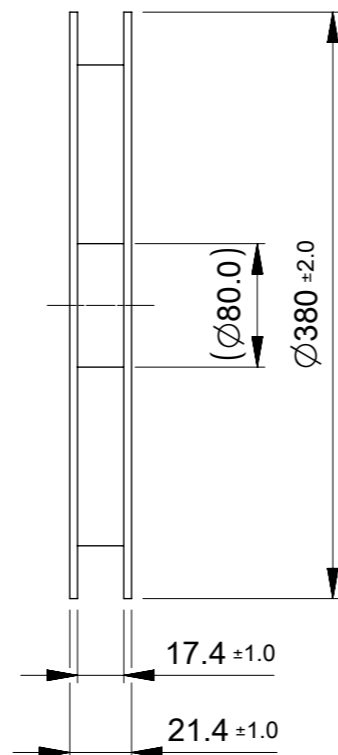
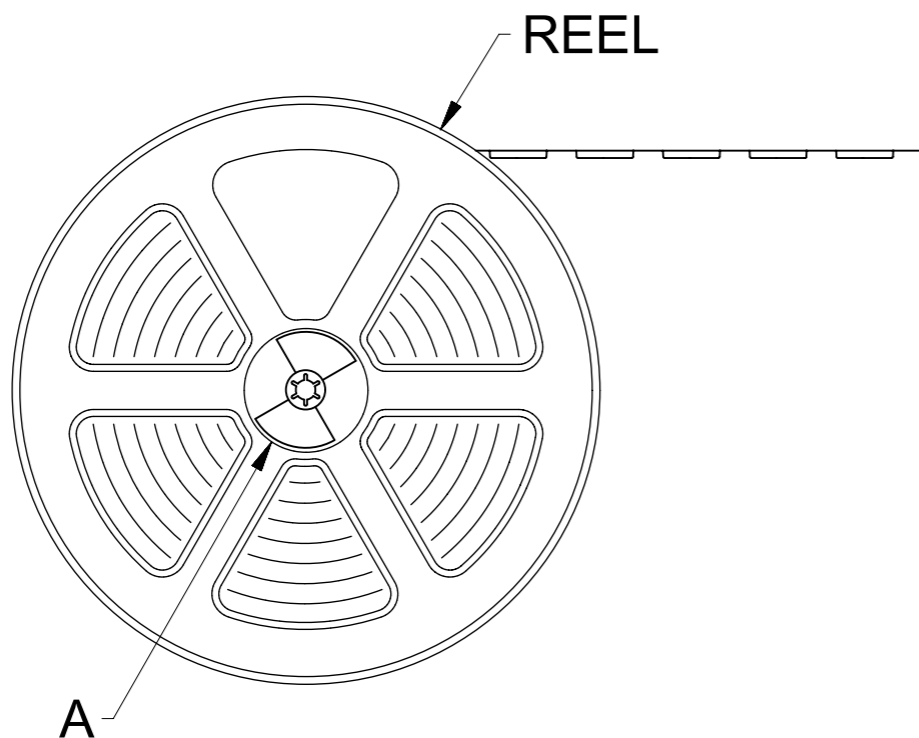


**RECOMMENDED METAL MASK LAYOUT**  
(FOR REFERENCE)

RECOMMENDED THICKNESS : 0.08mm  
RECOMMENDED APERTURE DIMENSION IS JUST SAME AS SHOWN FIGURE ABOVE.  
FOR THIS DIMENSION, APERTURE RATIO ARE SIGNAL TERMINAL 100% AND  
FITTING NAIL ALL 120%.

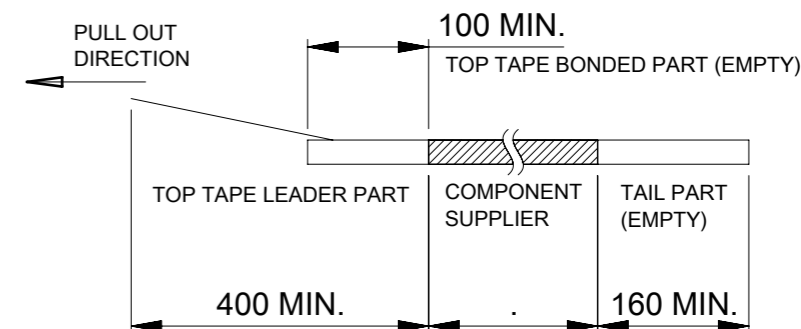
FUNCTIONAL SYMBOLS $\nabla_A = 0$ $\nabla_E = 0$ $\nabla_V = 0$ DIVISIONAL SYMBOLS	THIS DRAWING CONTAINS INFORMATION THAT IS PROPRIETARY TO MOLEX ELECTRONIC TECHNOLOGIES, LLC AND SHOULD NOT BE USED WITHOUT WRITTEN PERMISSION	DIMENSION UNITS: <b>mm</b> SCALE: <b>10:1</b>	CURRENT REV DESC:  EC NO: 746141 DRWN: DWLEE02 CHK'D: JHCHANG APPR: JBJIN			
	GENERAL TOLERANCES (UNLESS SPECIFIED) ANGULAR TOL ± 1.0° 4 PLACES ± 0.05 3 PLACES ± 0.05 2 PLACES ± 0.05 1 PLACE ± 0.1 0 PLACES ± 0.2	2023/04/14 2023/04/14 2023/04/17	0.35 BB H=0.6 ACB6 PLUS REC ASSY			
	INITIAL REVISION: DRWN: JHCHANG APPR: JBJIN	2023/04/13 2023/04/17	PRODUCT CUSTOMER DRAWING			
	DRAFT WHERE APPLICABLE MUST REMAIN WITHIN DIMENSIONS	THIRD ANGLE PROJECTION 	DRAWING: <b>A3-SIZE</b> SERIES: <b>216700</b>	MATERIAL NUMBER: <b>SEE SHEET1</b> CUSTOMER: <b>GENERAL</b>	DOCUMENT NUMBER: <b>2167000000-SD</b> DOC TYPE: <b>PSD</b> DOC PART: <b>002</b> REVISION: <b>A</b>	SHEET NUMBER: <b>2 OF 2</b>

⇒ PULL OUT DIRECTION



NOTES

1. RE DETAILED DIMENSION, SEE PRODUCT DRAWING.
2. NUMBER OF CONNECTORS : 20,000PCS/REEL
3. LEAD TAPE LENGTH :



4. PEEL OFF FORCE OF THE TOP TAPE IS DEFINDED BY IEC 60286-3.
5. MATERIAL
  - CARRIER TAPE : POLYSTYRENE OR PET
  - TOP TAPE : PET, OTHER
  - REEL : POLYSTYRENE(PS) [RECYCLE MATERIAL CONTAINED]

FUNCTIONAL SYMBOLS	THIS DRAWING CONTAINS INFORMATION THAT IS PROPRIETARY TO MOLEX ELECTRONIC TECHNOLOGIES, LLC AND SHOULD NOT BE USED WITHOUT WRITTEN PERMISSION		CURRENT REV DESC:		<b>molex</b>			
	mm	1:1						
DIVISIONAL SYMBOLS	GENERAL TOLERANCES (UNLESS SPECIFIED)		EC NO: 746141		0.35 BB H=0.6 ACB6 PLUS REC ASSY PKG			
	ANGULAR TOL ± 1.0°		DRWN: DWLEE02 2023/04/14					
	4 PLACES ± 0.05		CHK'D: JHCHANG 2023/04/14					
	3 PLACES ± 0.05		APPR: JBJIN 2023/04/17					
	2 PLACES ± 0.05		INITIAL REVISION:					
1 PLACE ± 0.1		DRWN: JHCHANG 2023/04/13		DOCUMENT NUMBER	DOC TYPE	DOC PART	REVISION	
0 PLACES ± 0.2		APPR: JBJIN 2023/04/17		2167000001-SD	PSD	001	A	
DRAFT WHERE APPLICABLE MUST REMAIN WITHIN DIMENSIONS		THIRD ANGLE PROJECTION	DRAWING	SERIES	MATERIAL NUMBER	CUSTOMER		SHEET NUMBER
			A3-SIZE	216700	SEE SHEET2	GENERAL		1 OF 2

PULL OUT DIRECTION →

EMBOSS CARRIER TAPE

TOP TAPE

H ±0.10

0.30 ±0.05

(0.73)

(1.13)

SECTION A-A

0.73 ±0.05

2.10 ±0.05

SECTION C-C

∅ 1.55 ±0.05

4.00 ±0.10

2.00 ±0.10

1.75 ±0.10

J ±0.10

G ±0.10

13.08	11.50	24.00	2167000609	---	O	60
12.03			2167000549	O	---	54
11.33			2167000509	O	---	50
9.58	9.25	16.00	2167000409	O	---	40
7.83			2167000309	---	O	30
6.78			2167000249	---	O	24
6.08			2167000209	O	---	20
4.33			2167000109	---	O	10
H	J	G	EMBOSSED TAPE PACKAGE	HIGH VOL. TOOL	LOW VOL. TOOL	Ckts
ORDER No.			SAMPLE PREPARATION			
			O : TOOLED □ : WORK PROCESS --- : TOOLING TO BE CONFIRMED			
CONNECTOR SERIES No. : 216700****						

FUNCTIONAL SYMBOLS	THIS DRAWING CONTAINS INFORMATION THAT IS PROPRIETARY TO MOLEX ELECTRONIC TECHNOLOGIES, LLC AND SHOULD NOT BE USED WITHOUT WRITTEN PERMISSION		CURRENT REV DESC:		<b>molex</b>		
	∇ <sub>A</sub> = 0	DIMENSION UNITS: mm					
∇ <sub>E</sub> = 0	GENERAL TOLERANCES (UNLESS SPECIFIED)		EC NO: 746141		0.35 BB H=0.6 ACB6 PLUS REC ASSY PKG		
∇ <sub>F</sub> = 0	ANGULAR TOL ± 1.0°		DRWN: DWLEE02				
DIVISIONAL SYMBOLS	4 PLACES	± 0.05	CHK'D: JHCHANG		2023/04/14		
	3 PLACES	± 0.05	APPR: JBJIN		2023/04/17		
	2 PLACES	± 0.05	INITIAL REVISION:		DOCUMENT NUMBER		
	1 PLACE	± 0.1	DRWN: JHCHANG		2023/04/13		2167000001-SD
0 PLACES	± 0.2	APPR: JBJIN		2023/04/17		PSD 001 A	
DRAFT WHERE APPLICABLE MUST REMAIN WITHIN DIMENSIONS		THIRD ANGLE PROJECTION	DRAWING	SERIES	MATERIAL NUMBER	CUSTOMER	SHEET NUMBER
			A3-SIZE	216700	SEE SHEET2	GENERAL	2 OF 2