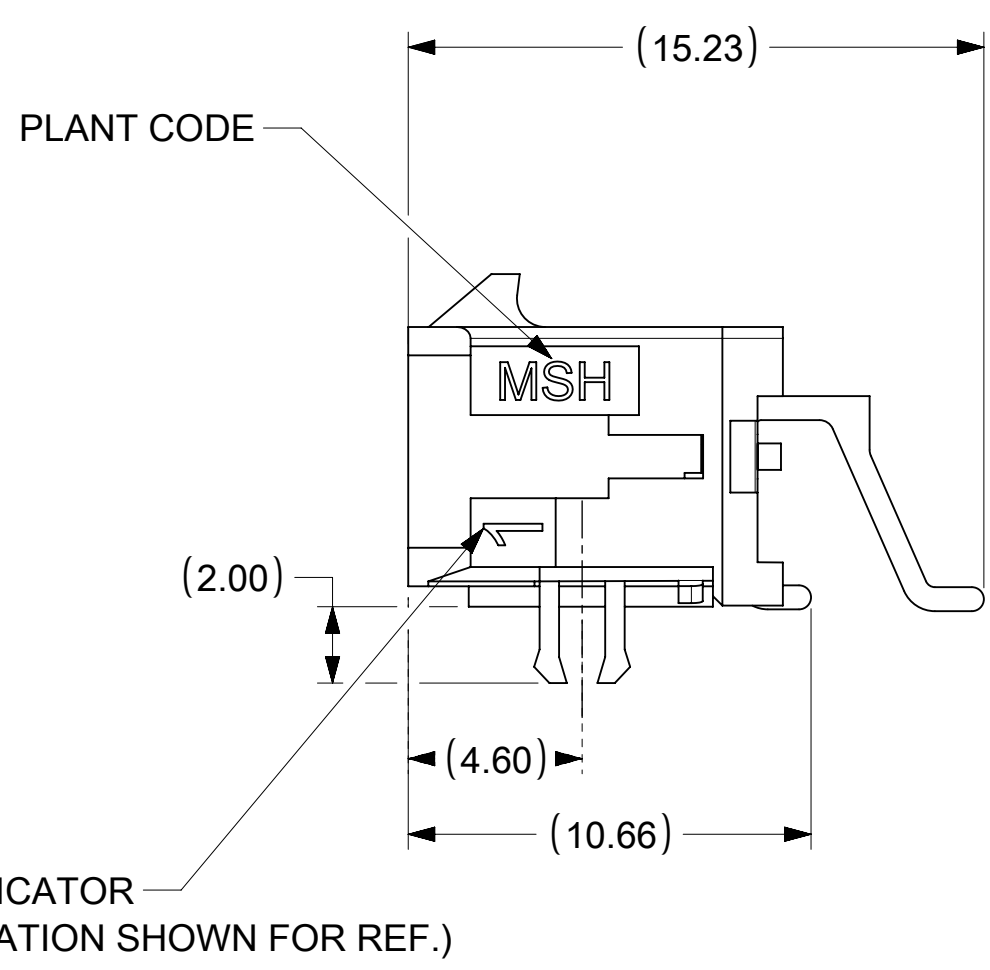
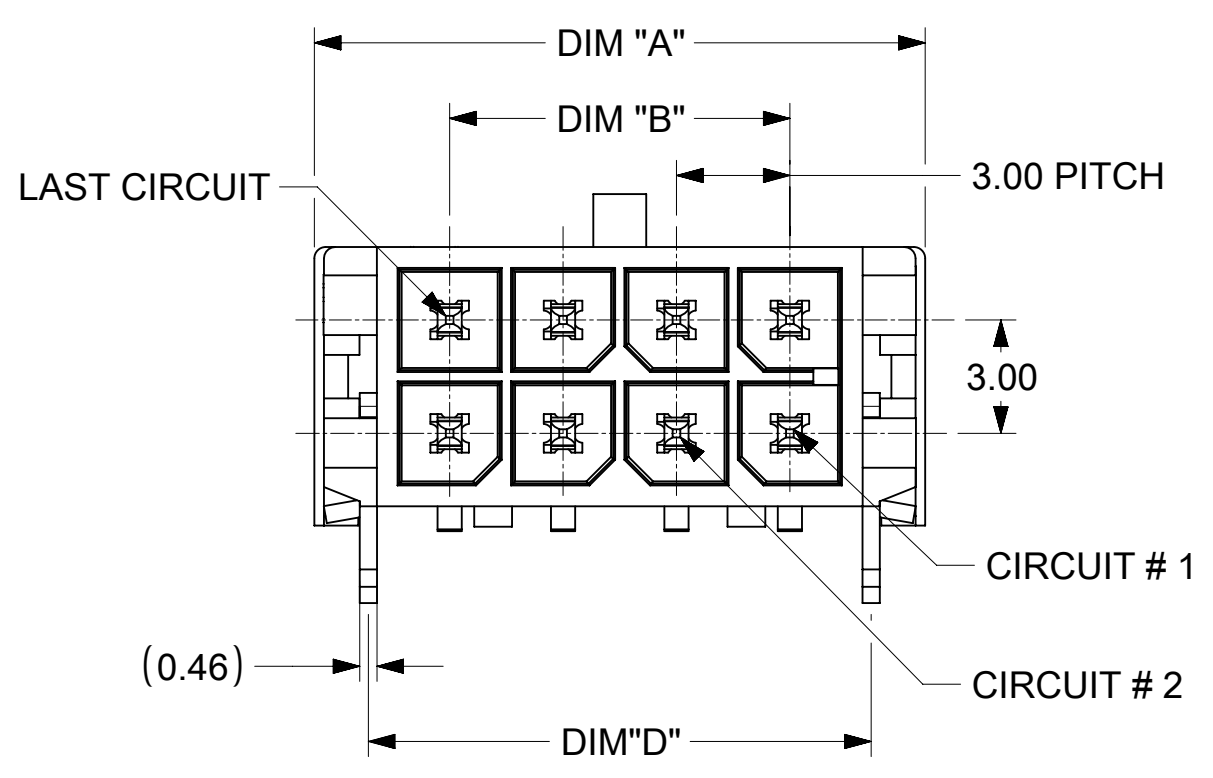
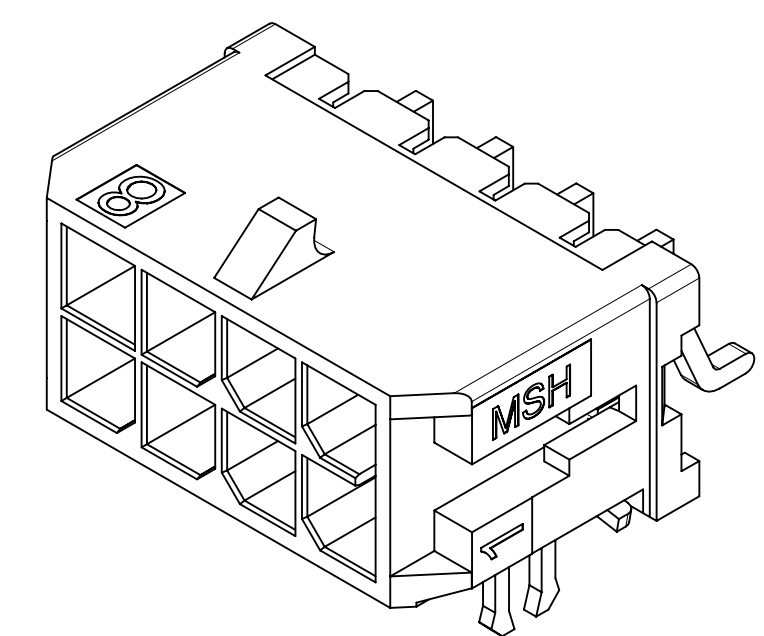
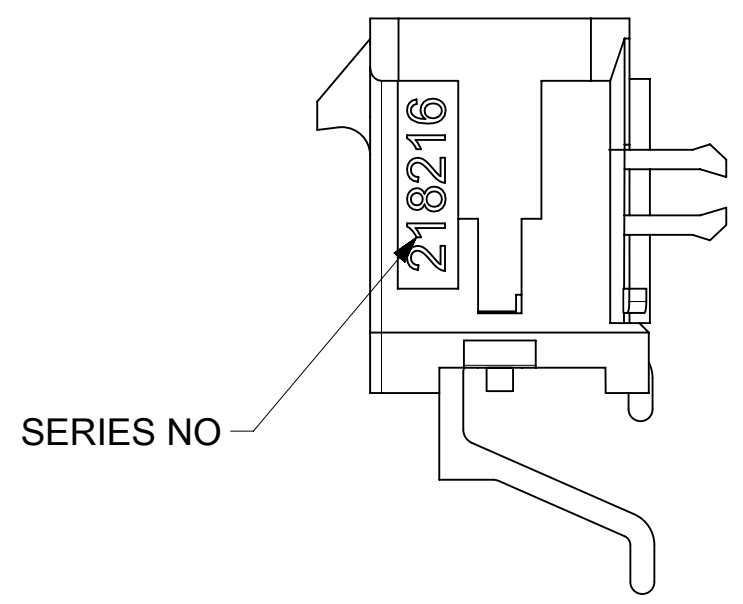
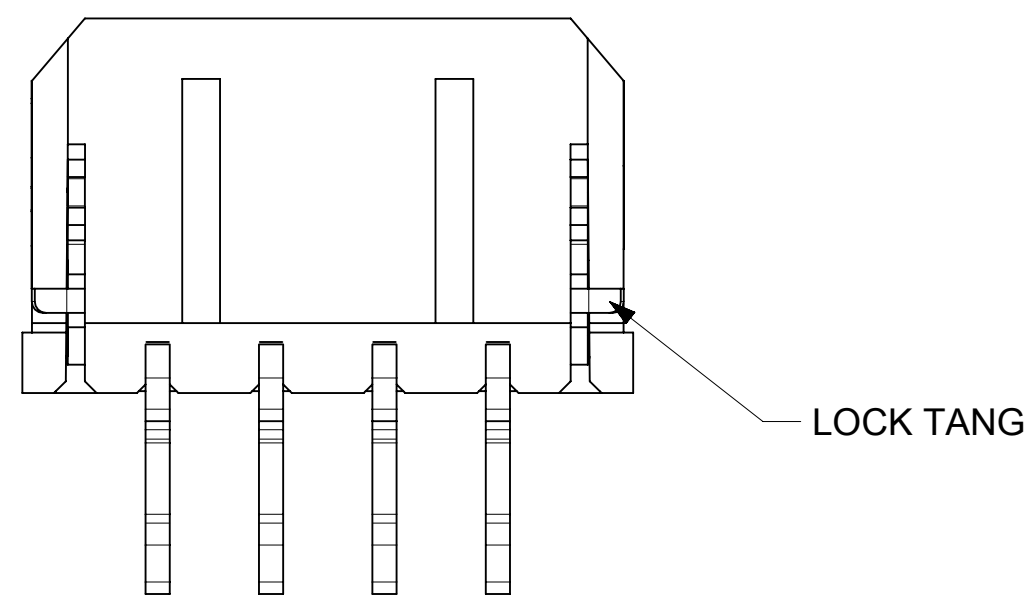
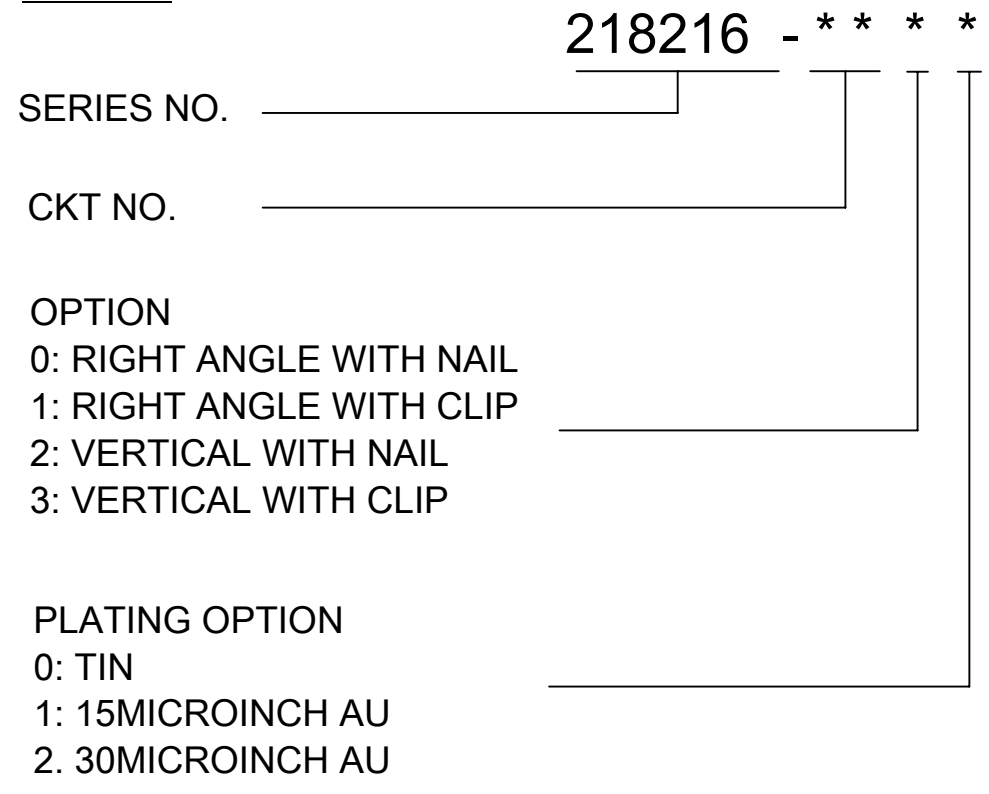


FINISH TYPE	TIN			15MICROINCH GOLD		30MICROINCH GOLD		
	CKT	HDR ASSY PN	HDR ASSY PN	HDR ASSY PN	A	B	C	D
2	2182160210	2182160211	2182160212	2182160212	7.16	3.00	2.95	4.30
4	2182160410	2182160411	2182160412	2182160412	10.16	3.00	2.95	7.30
6	2182160610	2182160611	2182160612	2182160612	13.16	6.00	2.95	10.30
8	2182160810	2182160811	2182160812	2182160812	16.16	9.00	7.70	13.30

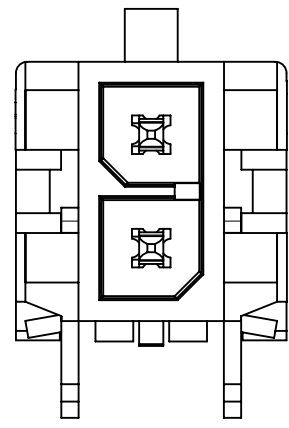


- NOTES:
- HOSING MATERIAL: GLASS FILLED LIQUID CRYSTAL POLYMER, UL 94V-0, COLOR: BLACK  
TERMINAL MATERIAL: HIGH COPPER ALLOY
  - FINISH:  
OPTION 1: REFLOW MATTE TIN OVER NICKEL  
OPTION 2: SELECT 15MICROINCH GOLD AND SELECT MATTE TIN OVER NICKEL.  
OPTION 3: SELECT 30MICROINCH GOLD AND SELECT MATTE TIN OVER NICKEL.
  - PRODUCT SPECIFICATION : 2064600000-PS
  - PRODUCT TEST SUMMARY: 2064600000-TS
  - T&R PACK : 2182160001-PK
  - MATE WITH RECEPTACLE 206461
  - TO AVOID INTERFERENCE BETWEEN RECEPTACLE AND PCB HEADERS MUST BE PLACED WITHIN,4.00MAX FROM THE EDGE OF PCB, AS SHOWN IN THE LOCATION DETAILS
  - METAL TAB MAY BE FLUSH WITH PCB, NO EXPOSED TRACE OR VIAS ALLOWED NEAR THESE AREAS.
  - THE COPLANARITY DIMENSION IS ESTABLISHED BY PLACING THE ASSEMBLY ON A FLAT SURFACE. THE DISTANCE FROM THAT SURFACE TO THE BOTTOM OF ANY TERMINAL OR NAIL MUST NOT EXCEED 0.15
  - THIS PART CONFORMS TO CLASS 'B' REQUIREMENTS OF COSMETIC SPECIFICATION PS-45499-002.

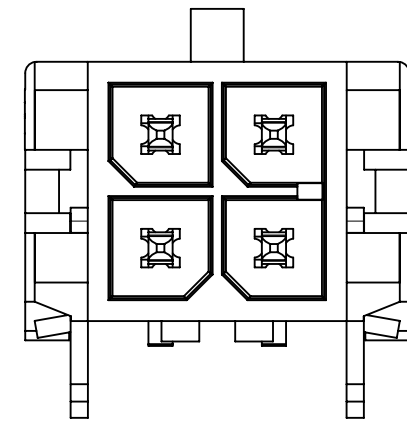
**LEGEND**



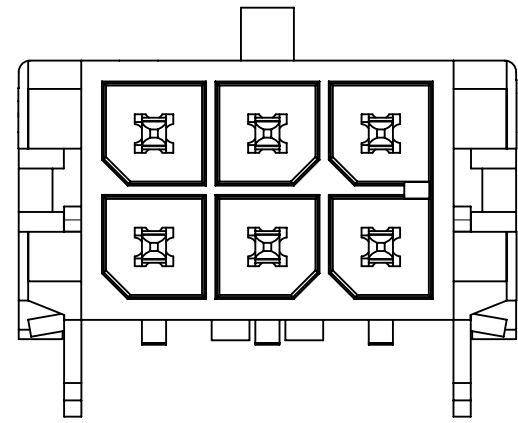
THIS DRAWING CONTAINS INFORMATION THAT IS PROPRIETARY TO MOLEX ELECTRONIC TECHNOLOGIES, LLC AND SHOULD NOT BE USED WITHOUT WRITTEN PERMISSION									
DIMENSION UNITS		SCALE		CURRENT REV DESC:					
mm		NTS							
GENERAL TOLERANCES (UNLESS SPECIFIED)				<p><b>molex</b></p> <p>MICRO-FIT PLUS DUAL ROW RIGHT ANGLE SMT HEADER WITH PRESS CLIP</p> <p>PRODUCT CUSTOMER DRAWING</p> <p>DOCUMENT NUMBER: 2182160010-SD   DOC TYPE: PSD   DOC PART: 000   REVISION: A</p> <p>MATERIAL NUMBER: SEE TABLE   CUSTOMER: GENERAL MARKET   SHEET NUMBER: 1 OF 2</p>					
ANGULAR TOL		± 3.0°							
4 PLACES		±							
3 PLACES		±							
2 PLACES		± 0.25							
1 PLACE		± 0.36		EC NO: 724761		DRWN: ALU002		2021/04/21	
0 PLACES		±		CHK'D: XQZHANG		2022/10/17		APPR: XQZHANG	
DRAFT WHERE APPLICABLE MUST REMAIN WITHIN DIMENSIONS		THIRD ANGLE PROJECTION		DRAWING		SERIES		INITIAL REVISION:	
				A2-SIZE		218216		DRWN: ALU002	
								2021/04/21	
								APPR: XQZHANG	
								2022/10/17	



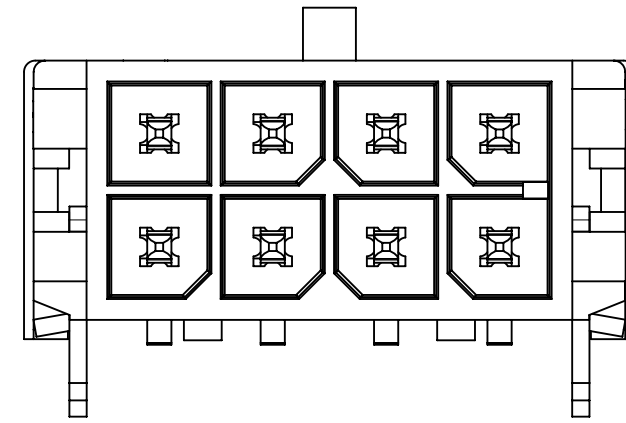
2CKT



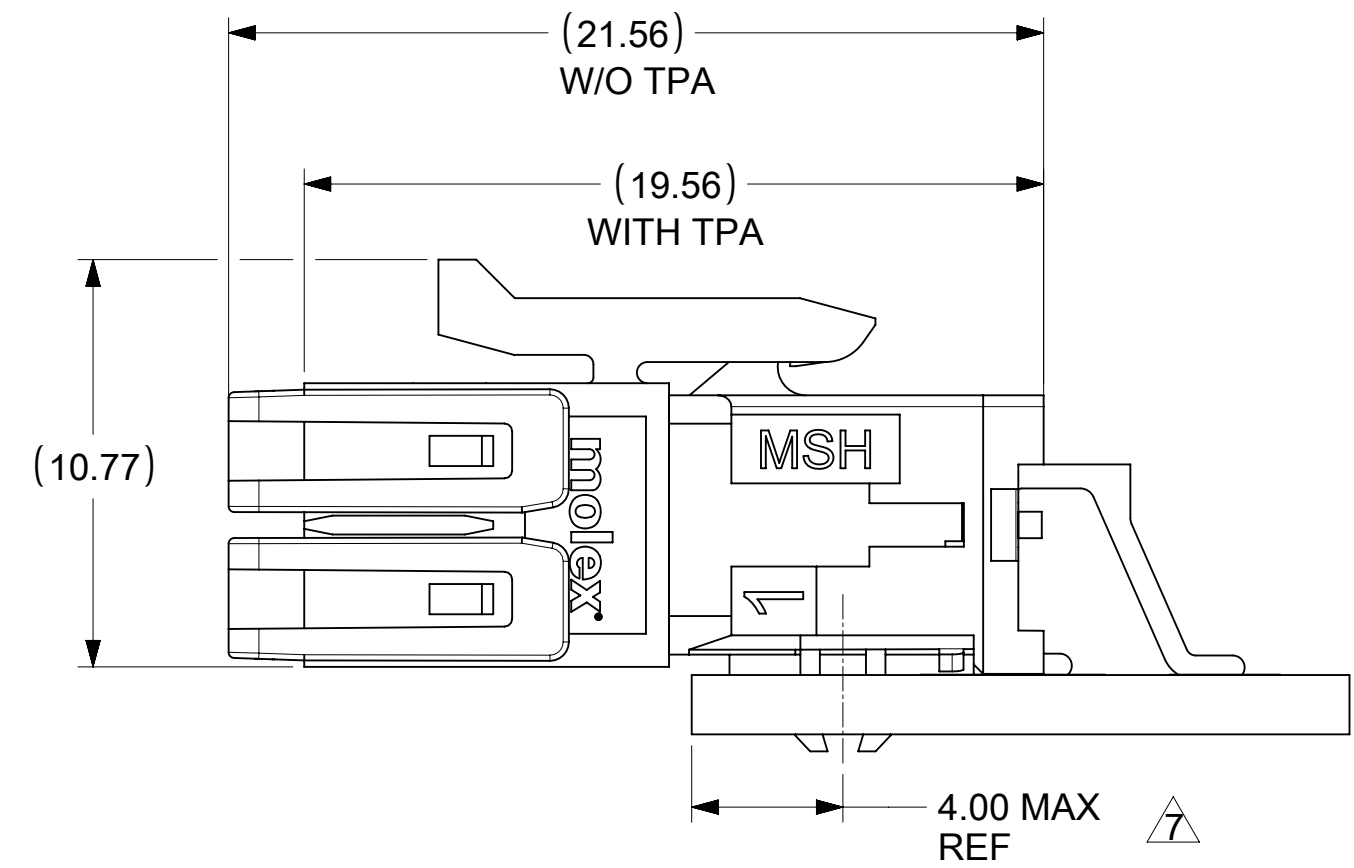
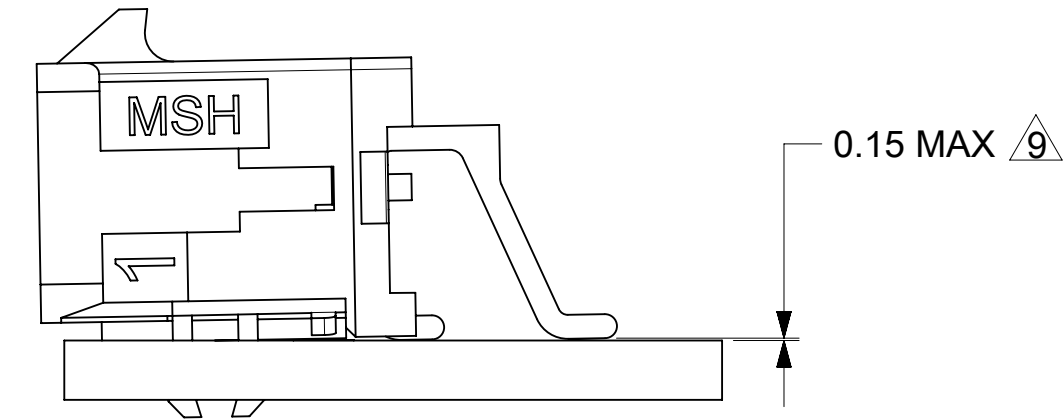
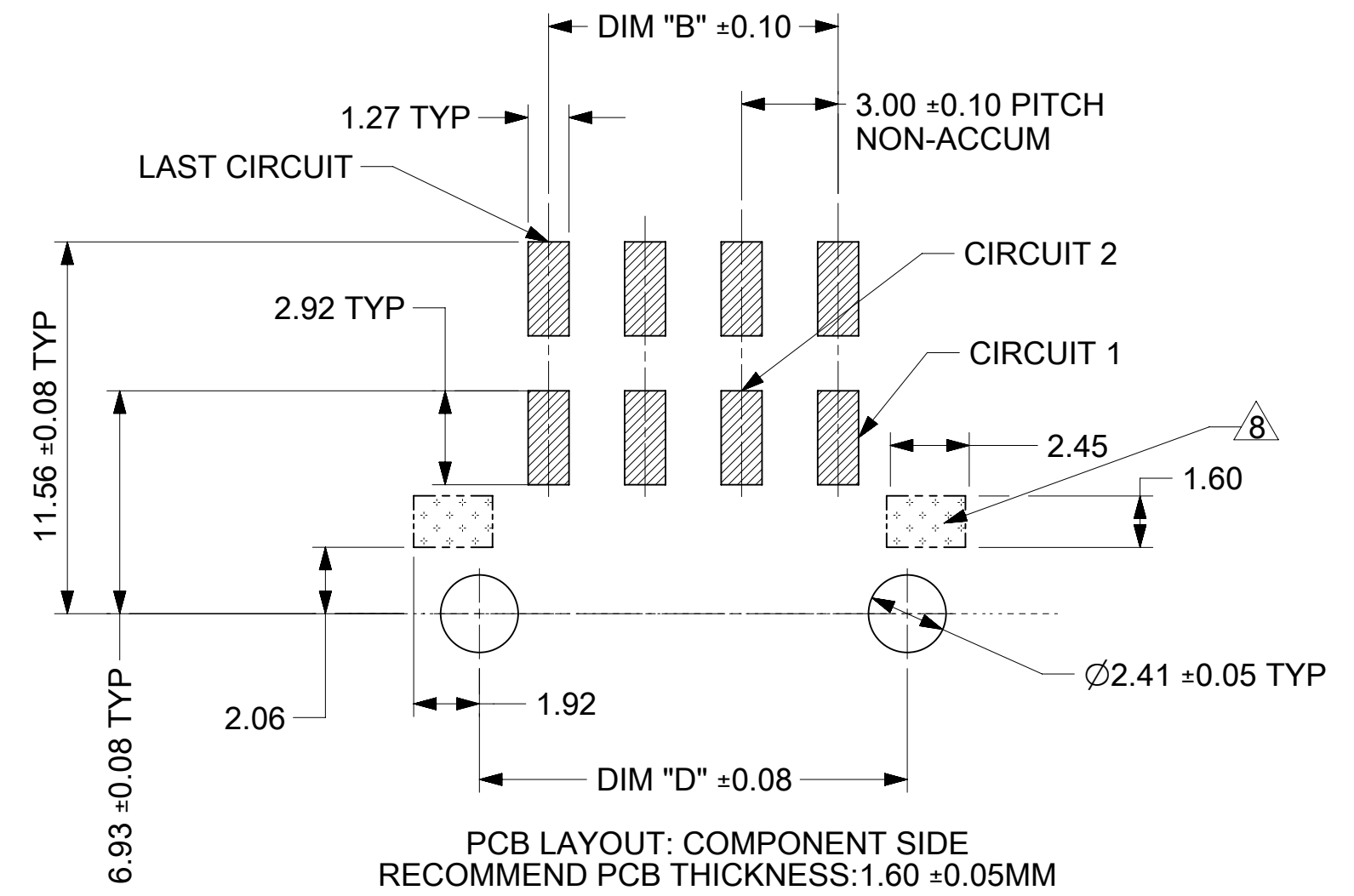
4CKT



6CKT



8CKT



THIS DRAWING CONTAINS INFORMATION THAT IS PROPRIETARY TO MOLEX ELECTRONIC TECHNOLOGIES, LLC AND SHOULD NOT BE USED WITHOUT WRITTEN PERMISSION

DIMENSION UNITS	SCALE	CURRENT REV DESC:					
mm	NTS						
GENERAL TOLERANCES (UNLESS SPECIFIED)				<b>MICRO-FIT PLUS DUAL ROW RIGHT ANGLE SMT HEADER WITH PRESS CLIP</b>			
ANGULAR TOL ± 3.0°							
4 PLACES	±	EC NO: 724761	2021/04/21	<b>PRODUCT CUSTOMER DRAWING</b>			
3 PLACES	±	DRWN: ALU002	2022/10/17				
2 PLACES	±	CHK'D: XQZHANG	2022/10/17	DOCUMENT NUMBER: <b>2182160010-SD</b> DOC TYPE: PSD    DOC PART: 000    REVISION: <b>A</b>			
1 PLACE	±	APPR: XQZHANG	2022/10/17				
0 PLACES	±	INITIAL REVISION:		MATERIAL NUMBER: SEE TABLE    CUSTOMER: GENERAL MARKET    SHEET NUMBER: 2 OF 2			
DRAFT WHERE APPLICABLE MUST REMAIN WITHIN DIMENSIONS							
		THIRD ANGLE PROJECTION	DRAWING: A2-SIZE	SERIES: 218216			