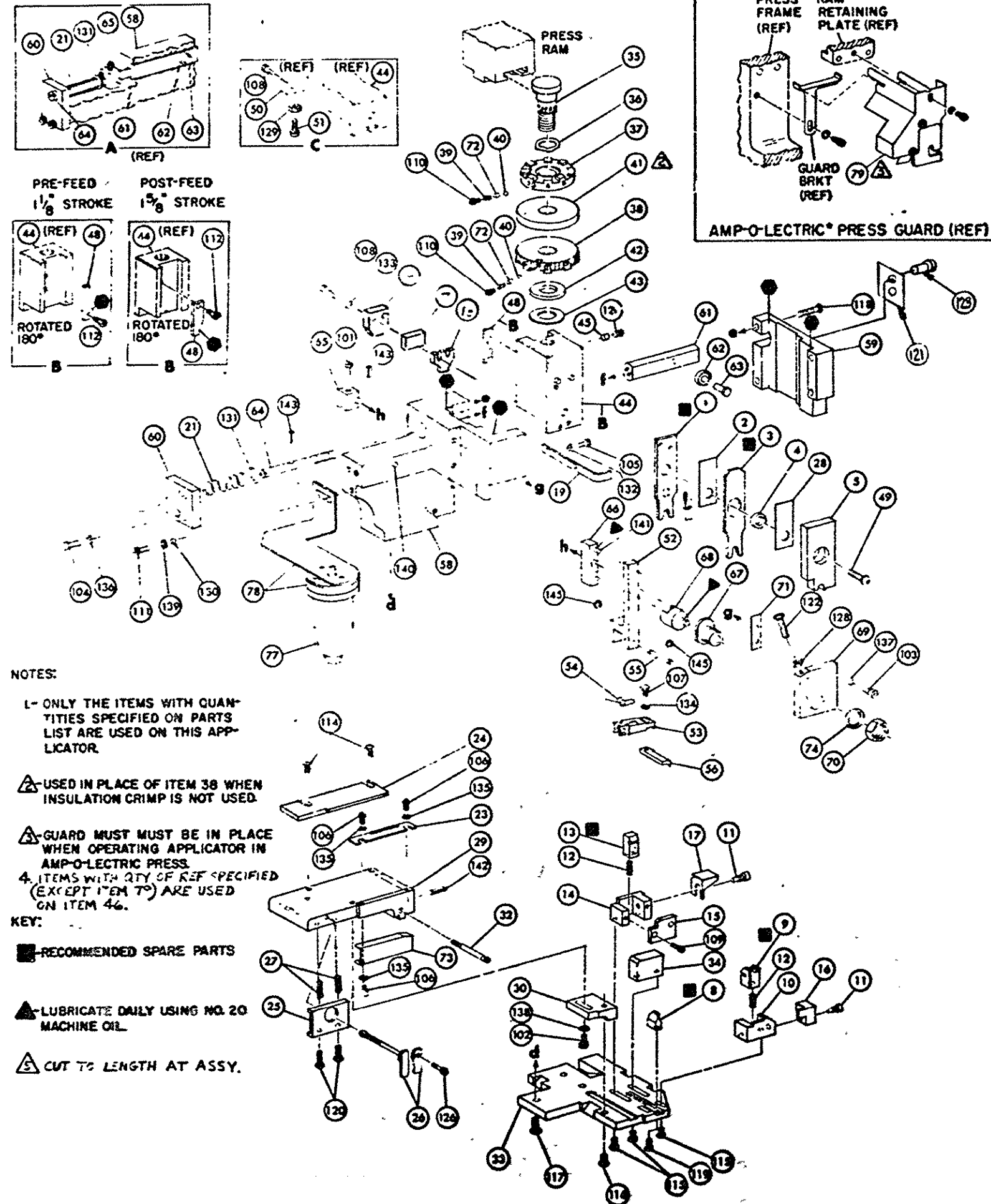


THIS IS A CONTROLLED DOCUMENT.



NOTES:

1- ONLY THE ITEMS WITH QUANTITIES SPECIFIED ON PARTS LIST ARE USED ON THIS APPLICATOR.

△ USED IN PLACE OF ITEM 38 WHEN INSULATION CRIMP IS NOT USED.

△ GUARD MUST BE IN PLACE WHEN OPERATING APPLICATOR IN AMP-O-LETRIC PRESS.

4. ITEMS WITH QTY OF REF SPECIFIED (EXCEPT ITEM 79) ARE USED ON ITEM 46.

KEY:

■ RECOMMENDED SPARE PARTS

▲ LUBRICATE DAILY USING NO. 20 MACHINE OIL.

△ CUT TO LENGTH AT ASSY.

REF	QTY	PART NO	DESCRIPTION	REV	REF	QTY	PART NO	DESCRIPTION	REV
REF		21043-3	RING, RETAINING "C" (.187 DIA) FEED FINGER PIN	143	REF	45420-1	CAP, HOUSING		14
REF		4-21028-0	PIN, SLOT SPR (.093 DIA X .75) STR G PLATE	142	REF	45448-1	HOUSING		16
REF	1	5-21028-1	PIN, SLOT SPR (.125 DIA X .50) ADJ ROD	143		690542-2	PAWL, FEED		17
REF	1	1-21030-1	PIN, DOWEL (.187 DIA X .50) LEVER	141	REF	240624-1	PIN, FEED FINGER		18
REF	1	1-21030-6	PIN, DOWEL (.187 DIA X 1.25) HOUSING	140	REF	691499-1	SPRING, FEED FINGER		19
REF	1	21024-5	WASHER, LOCK (NO 10) LUB ASSY	138	REF	690541-1	FINGER, FEED		20
REF	1	21024-5	WASHER, LOCK (NO 10) STRIP GUIDE ADJ BLOCK	137	REF	455679-1	LEVER, TERMINAL FEED ARM		21
REF	1	21024-5	WASHER, LOCK (NO 10) ADJ PLATE	137			BUMPER, HOLDDOWN		22
REF	1	21024-5	WASHER, LOCK (NO 10) FEED GUIDE ROD	136			SPACER, TONKER		23
REF	2	21024-2	WASHER, LOCK (NO 8) FRONT STRIP GUIDE	135	1	7-21002-9	BOLT, CRIMPER		24
REF	1	21024-4	WASHER, LOCK (NO 8) FEED FINGER	134	1	690501-4	CAM	Post FEED	15th STROKE
REF	1	21024-4	WASHER, LOCK (NO 8) DEPRESSOR	133					25
REF	1	21024-4	WASHER, LOCK (NO 8) STRIPPER	132	1	459456-1	APPLICATOR, BASIC (SUB ASSY)		26
REF	1	21899-4	WASHER, FLAT (5/16 DIA) SCREW ADJ	131	1	690191-1	PLUG, NYLON		27
REF	1	21899-2	WASHER, FLAT (NO 10) LUB ASSY	130	1	455673-1	RAM		28
REF	1	21060-5	NUT, HEX MACH (6-32) HOLDDOWN	129	1	690125-1	WASHER, LAMINATED		29
REF	1	21018-5	NUT, HEX MACH (6-32) FEED ADJ	128	1	690124-1	WASHER, RAM		30
REF	1	22353-8	SCR, SHLD. (.187 DIA X .250 LG) DRAG LEVER	126	2	23241-6	BALL, STEEL		31
REF	1	21009-2	SCR, SKT SET (1/4-20 X .25) (LOC-WEL) RAM	124	1	690170-1	SPRING, COMPRESSION		32
REF	2	21017-2	SCREW, DRIVE # 2 x .19	123	1	690142-1	DISC, INSULATION		33
REF	1	6-23715-5	SCR, RD HD MACH (6-32 X 1.50) FEED ADJ	122	1	9-690692-9	DISC, WIRE		34
REF	1	4-61264-1	PLATE, IDENTIFICATION	121	1	22480-5	WASHER, SPRING		35
REF	2	2-21002-9	SCR, BUT HD SKT CAP (10-32 X .75) DRAG	120	1	690212-1	POST, RA#		36
REF	1	2-21002-9	SCR, BUT HD SKT CAP (8-32 X .38) (LOC-WEL) ANVIL	119	REF	455675-1	PLATE, BASE		37
REF	1	2-21002-9	SCR, BUT HD SKT CAP (10-32 X .50) CAP	118	1	690432-3	SCREW, ADJUSTMENT		38
REF	1	17177-1	SCR, BUT HD SKT CAP (1/4-20 X .75) HOUSING	117					39
REF	1	2-21002-7	SCR, BUT HD SKT CAP (10-32 X .50) SG ADJ BLOCK	116	REF	455689-1	BLOCK, STRIP GUIDE ADJ		40
REF	4	2-21002-2	SCR, BUT HD SKT CAP (8-32 X .50) SHEAR	115	1	455671-2	PLATE, STRIP GUIDE		41
REF	2	2-21002-2	SCR, BUT HD SKT CAP (8-32 X .50) R STRIP GUIDE	114	1	1-455888-0	SPACER, FRONT SHEAR DEPRESSOR		42
REF	2	1-21000-0	SCR, SKT HD CAP (8-32 X .39) CAM	113	2	1-22284-0	SPRING, DRAG		43
REF	1	1-21000-4	SCR, SKT HD CAP (10-32 X .38) LUBRICATOR ASSY	112	1	690546-1	LEVER, DRAG RELEASE		44
REF	2	23030-1	SCR, SKT HD CAP (8-32 X .25) (LOC-WEL) CP DISC	111	1	240792-1	DRAG, STOCK		45
REF	2	1-21000-8	SCR, SKT HD CAP (8-32 X .25) REAR SHEAR PLATE	110	1	7-690504-1	GUIDE STRIP (REAR)		46
REF	2	3-21000-0	SCR, SKT HD CAP (8-32 X .82) DEPRESSOR	106	1	690438-1	GUIDE, STRIP (FRONT)		47
REF	1	2-22603-0	SCR, HEX HD MACH (8-32 X .31) FEED FINGER	107	REF	4-22284-8	SPRING, FEED RETURN		48
REF	2	2-21000-3	SCR, SKT HD CAP (4-40 X .25) F STRIP GUIDE	106					49
REF	1	2-21000-7	SCR, SKT HD CAP (8-32 X .30) STRIPPER	105	1	1-690472-1	STRIPPER		50
REF	1	3-21000-7	SCR, SKT HD CAP (10-32 X .75) FEED ROD GUIDE	104	1	1-690518-2	HOLDER, TERMINAL		51
REF	1	3-21000-6	SCR, SKT HD CAP (10-32 X .82) FEED ADJ BLOCK	103	1	691668-1	GUARD, CHIP (REAR)		52
REF	1	3-21000-4	SCR, SKT HD CAP (10-32 X .38) SG ADJ BLOCK	102	1	691667-1	GUARD, CHIP (FRONT)		53
REF	1	3-21000-4	SCR, SKT HD CAP (10-32 X .38) SG ADJ BLOCK	101	1	690691-9	PLATE, SHEAR (REAR)		54
REF	1	455749-1	GUARD, WINDOW	79	1	690462-1	HOLDER, SHEAR (REAR)		55
REF	1	1-465184-0	LUBRICATOR ASSY	78	1	690463-1	SHEAR, FLOAT (REAR)		56
REF	1	458109-1	WASHER, SPECIAL	77	2	5-22280-0	SPRING, SHEAR		57
REF	2	690603-1	PLATE, STRIP GUIDE COVER	75	2	690481-1	STOP, SHEAR		58
REF	1	690517-1	SPRING, ASSIST	74	1	690459-1	HOLDER, SHEAR (FRONT)		59
REF	1	22594-8	NUT, HEX	73	1	454276-1	SHEAR, FLOAT (FRONT)		60
REF	1	240628-1	PLATE, ADJUSTMENT	72	1	7-690471-0	ANVIL		61
REF	1	240628-1	SHAFT, PIVOT	71	1	6-240641-3	SPACER, DEPRESSOR (REAR)		62
REF	1	240633-1	BUSHING	70	1	690468-1	DEPRESSOR, SHEAR (REAR)		63
REF	1	455680-1	LEVER, INTERMEDIATE	69	1	455889-9	DEPRESSOR, SHEAR (FRONT)		64
REF	1	240629-1	BLOCK, PIVOT	68	1	2-238011-2	SPACER, TUBULAR, INS CRIMPER		65
REF	1	240632-2	SCREW, ADJUSTMENT FEED ROD	67	1	4-454135-4	CRIMPER, INSULATION		66
REF	1	240639-3	PIN, CAM ROLLER	66	1	455888-3	SPACER, CRIMPER		67
REF	1	240639-1	ROLLER, CAM	65	1	2-454403-0	CRIMPER, WIRE		68
REF	1	454398-2	ROD, FEED	64					69
REF	1	454178-1	GUIDE, FEED ROD	63					70

CRIMPING DATA				APPLICATOR WILL APPLY	
PAD LTR	CRIMP HEIGHT	WIRE SIZE	STRIP LENGTH		
A	.046	18			593449
B	.040	20 or 22			530235
C	.037	22			531478
D	NOT USED				531482

REMARKS	NO	REV
APPL. USED ON MACHINE PART NO	MACH SERIAL NO	DISTRIBUTION
CUSTOMER NAME	APPL SERIAL NO	ORIGINAL
ADDRESS	PURCHASE ORDER	CUSTOMER COPY
CITY	ENG APP	FIELD ENG COPY

CRIMP	SIZE	TYPE	FEED	APPL. INST
WIRE	.042	F	.330	A1 8040
INSUL	.090	O		
WIRE RANGE	22-18	INSULATION RANGE	.049-.085	

AMPOMATOR
POST FEED
APPLICATION SPEC 114-9004
(REF) I.D. PLATE: 461264-1

66
 © AMP Incorporated
 ALL RIGHTS RESERVED
 COPYRIGHT 1989

AMP 2903-3 (8-73)

466713-1

REV F3

CUSTOMER AND ASSEMBLY DRAWING