

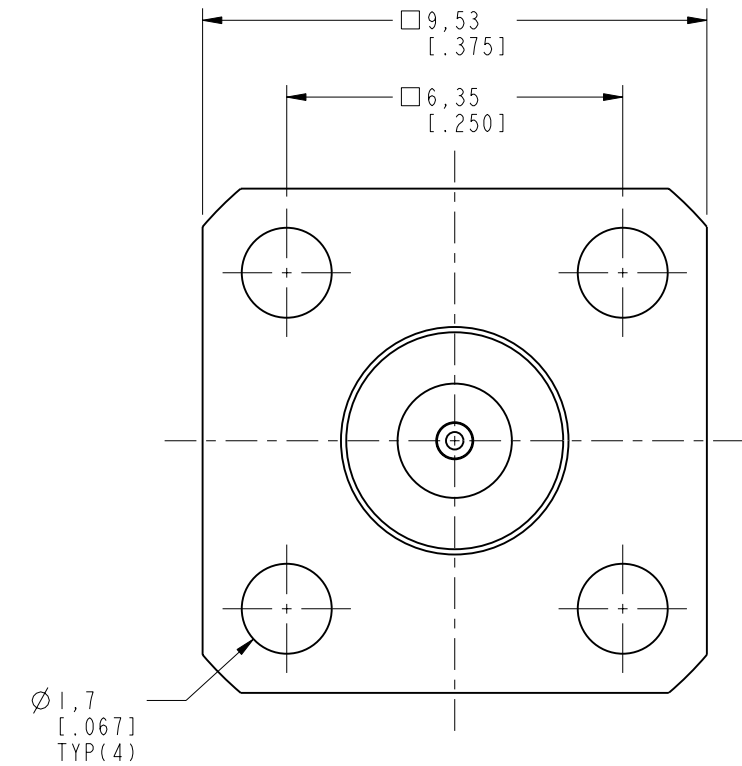
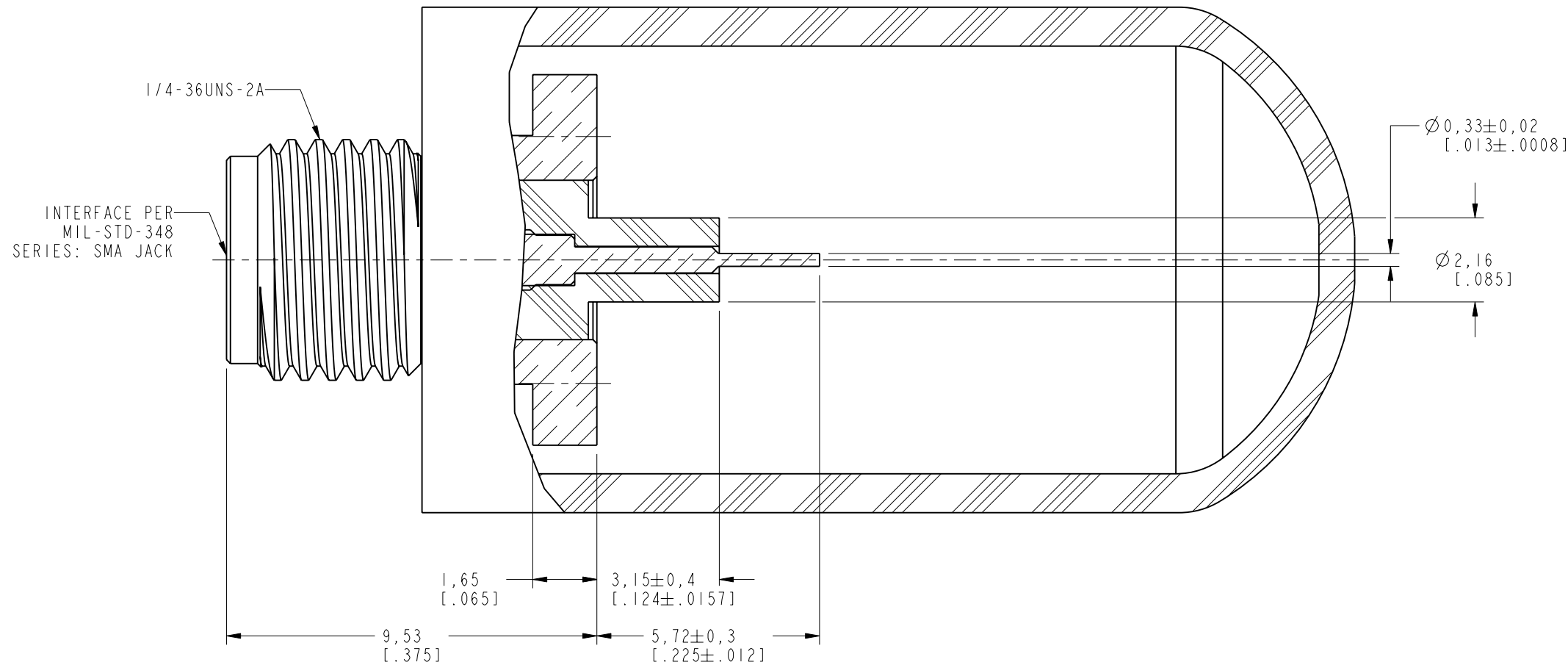
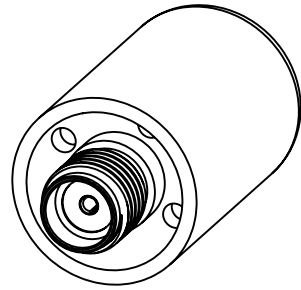
NOTES:

1. MATERIALS OF CONSTRUCTION:
 BODY = BRASS, GOLD PLATED (.000003" MIN. THICK OVER NICKEL PLATING .000100" MIN. THICK OVER COPPER STRIKE)
 CONTACT PIN = PHOSPHOR BRONZE, GOLD PLATED (.000050" MIN. THICK OVER NICKEL PLATING .000100" MIN. THICK OVER COPPER STRIKE)
 INSULATORS = PTFE, NATURAL
 COVER = SILICONE RUBBER, BLACK
2. CONNECTOR SUPPLIED WITH RUBBER CAP TO PROTECT CONTACT.
3. ELECTRICAL:
 A. IMPEDANCE: 50 OHM
 B. FREQUENCY RANGE: DC - 18.0 GHz
4. MECHANICAL:
 A. DURABILITY: 500 CYCLES MIN.
 B. TEMPERATURE RANGE: -65° C TO+165° C
5. PACKAGING:
 A. QUANTITY: SINGLE PACK
 B. MARKING: BAG TO BE MARKED
 "AMPHENOL RF, 901-10124 & DATE CODE"

THIRD ANGLE PROJ.

REVISIONS

REV	DESCRIPTION	DATE	ECN	APPR
A	RELEASE TO MFG.	15-Jul-04	45045	CPM
C	A) CHANGED CONTACT TIP DIA TO Ø0.33 MM B) CHANGED CONTACT MATERIAL TO : PHOSPHOR BRONZE	27-Sep-05	45738	HP
D	CHANGED THE PROTECTED COVER	14-Jan-20	14182	SH



THIS VIEW WITHOUT COVER

CUSTOMER OUTLINE DRAWING
ALL OTHER SHEETS ARE FOR INTERNAL USE ONLY

UNLESS OTHERWISE SPECIFIED, DIMENSIONS ARE IN METRIC AND TOLERANCES ARE: <0.5mm ±0.05mm 0.5 - 6mm ±0.1mm 6 - 30mm ±0.2mm 30 - 120mm ±0.3mm ANGLES ±1°	MATERIAL	DRAWN	DATE	TITLE SMA PANEL RECEPT. JACK	Amphenol RF www.amphenolrf.com
	SEE NOTES	M. ZHANG	14-Jan-20		
NOTICE - These drawings, specifications, or other data (1) are, and remain the property of Amphenol corp. (2) must be returned upon request; and (3) are confidential and not to be disclosed to any person other than those to whom they are given by Amphenol Corp. the furnishing of these drawings, specifications, or other data by Amphenol Corp., or to any other person to anyone for any purpose is not to be regarded by implication or otherwise in any manner licensing, granting rights to permitting such holder or any other person to manufacture, use or sell any product, process or design, patented or otherwise, that may in any way be related to or disclosed by said drawings, specifications, or other data.	REFERENCE	ENGINEER	DATE	SCALE: 7.0:1.0 SHEET 2 OF 2	DRAWING NO. 901-10124
	EAR# 1145	O. BARTHELMES	20-Oct-03		REV D
	REF: GEN# 901-10109-ASSY	APPROVED	S. HSIEH	14-Jan-20	DWG SIZE B
CONFIGURATION LEVEL: In Work	FINISH	CAD FILE			