

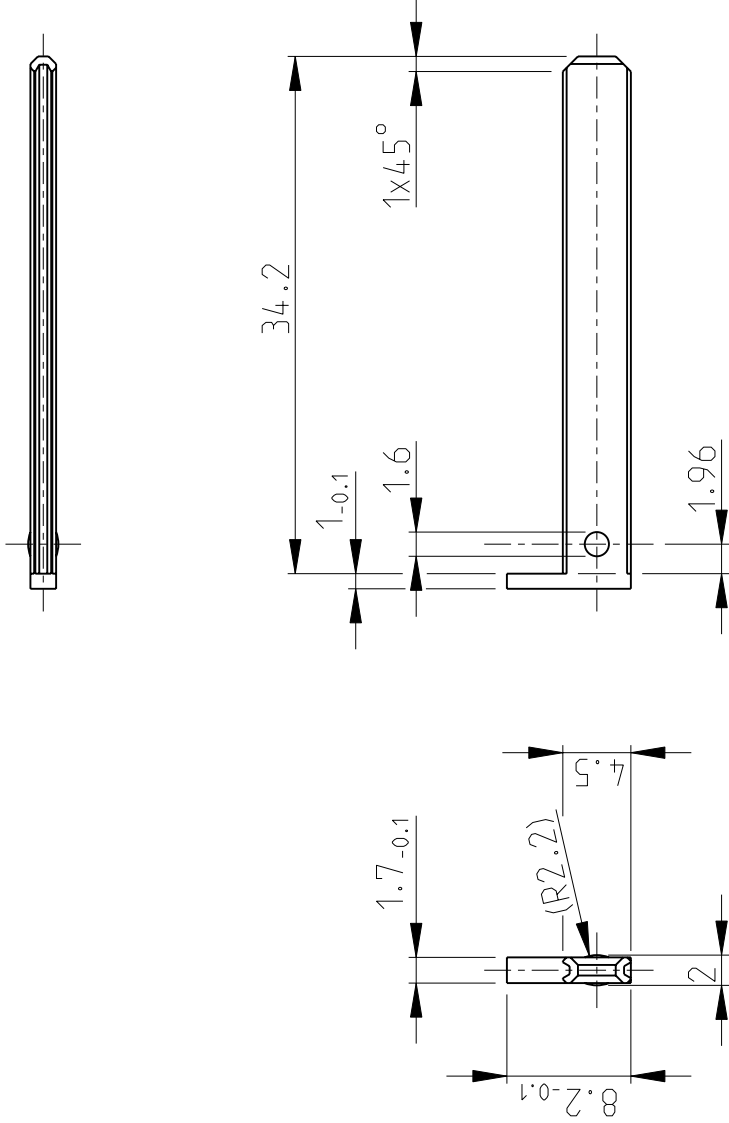
THIS DRAWING IS A CONTROLLED DOCUMENT FOR TYCO ELECTRONICS CORPORATION
 AND THE CONTROLLING ENGINEERING ORGANIZATION
 IT IS SUBJECT TO CHANGE AND SHOULD BE CONTACTED FOR THE LATEST REVISION.

LOC	DIST	REVISIONS					
		P	LTR	DESCRIPTION	DATE	DWN	APVD
A1	-	C		PN 926936-2 hinzu	18MAY1982	-	-
		D		Benennung Korrektur	12FEB1985	Jäger	-
		D2		NEW DRAWING CREATED	10SEP2007	Haas	Stre.
		D3		DASH NUMBER IN TABLE CORRECTED	16JAN2008	Haas	Stre.

2007

RELEASED FOR PUBLICATION

THIS DRAWING IS UNPUBLISHED.
 © COPYRIGHT 2007 BY TYCO ELECTRONICS CORPORATION. ALL RIGHTS RESERVED.



926635-2	D		RED
926635-1	D		BLACK
PART NO.	REV.	MATERIAL	COLOR

DIMENSIONS:		DWN	10SEP2007	MATERIAL	PA 6.6 13GV	FINISH	-
mm		CHK	11SEP2007	Tyco Electronics			
TOLERANCES UNLESS OTHERWISE SPECIFIED:		Tyco Electronics AMP GmbH					
±0.2mm		APVD	64625 Bensheim (Germany)				
0 PLC	±	NAME					
1 PLC	±	LOCKING SLIDE					
2 PLC	±	Kontaktsicherung fuer MODU IV Gehaeuse					
3 PLC	±	SIZE					
4 PLC	±	CAGE CODE DRAWING NO					
ANGLES	±	A4 00779 926635					
		RESTRICTED TO					
		SCALE 2:1					
CUSTOMER DRAWING		SHEET 1 OF 1					
		REV D3					