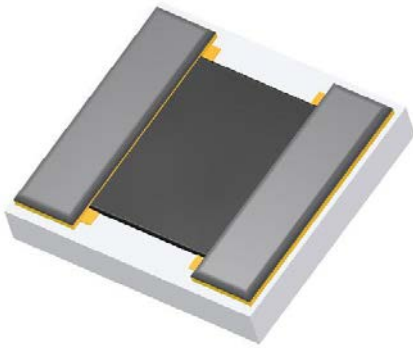


RESISTOR, SMT .05 X .05, 5%, 1W



General Specifications:

Resistive Element:	Au
Substrate:	5 mil Lapped BeO
Terminal Finish:	Au/Sn Solder over gold
Operating Temperature:	-55 °C TO 125 °C

Electrical Specifications:

Resistance Value:	Multiple (see table 1)
Power:	1W
Temperature Coefficient (TCR) ppm/°C:	300/°C

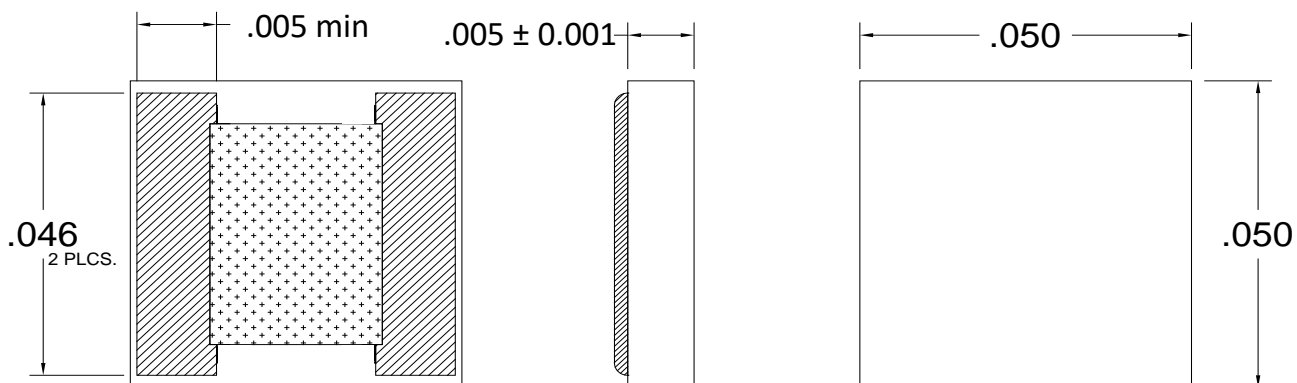
Note: Tolerance is \pm unless otherwise specified. Designed to meet or exceed applicable portions of MIL-E-5400. Operation temperature (see chart for derating temperatures).
Specifications subject to change with out notice.

Features

- 5 mil Lapped BeO
- Thick Film Construction
- Non-Nichrome Resistive Element
- Terminals:
Au/Sn Solder over gold
- Solder Mount
- Resistance Tolerance 5%

Outline Drawing:

Dimensions shown in inches ± 0.002 unless otherwise shown

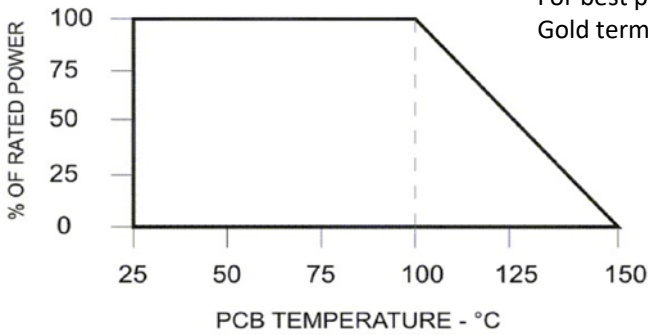


Available on Tape and Reel
for Pick and Place Manufacturing

Values:

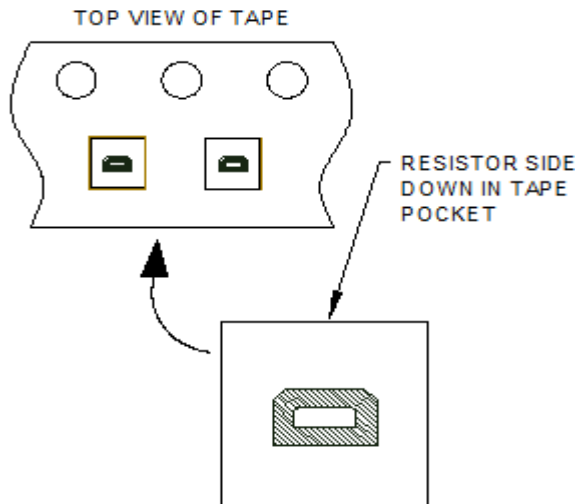
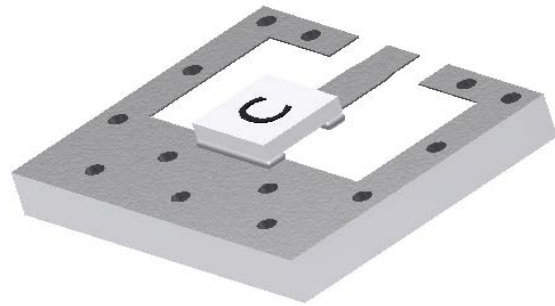
Table 1		
Part Number	Value (Ohms)	Tolerance
C1W131350R0J5A3	50	± 5 %
C1W13131000J5A3	100	± 5 %

Power De-rating:



Suggested Mounting:

For best RF performance, mount with epoxy, resistive side down.
 For best power performance, epoxy or solder mount with backside pad down
 Gold terminals are wire bondable.



Available on Tape and Reel
 for Pick and Place Manufacturing