

THIS DRAWING IS UNPUBLISHED.

RELEASED FOR PUBLICATION

20

© COPYRIGHT 20 BY -

ALL RIGHTS RESERVED.

REVISIONS

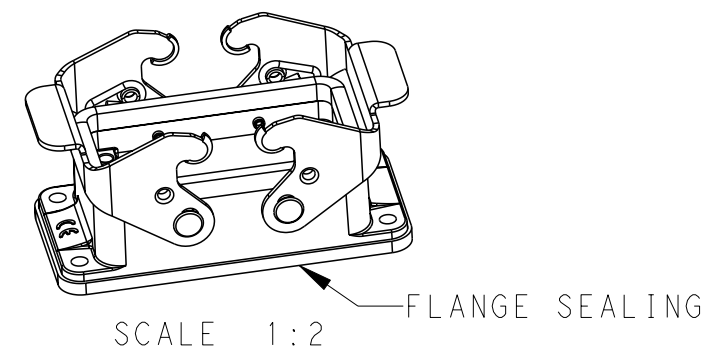
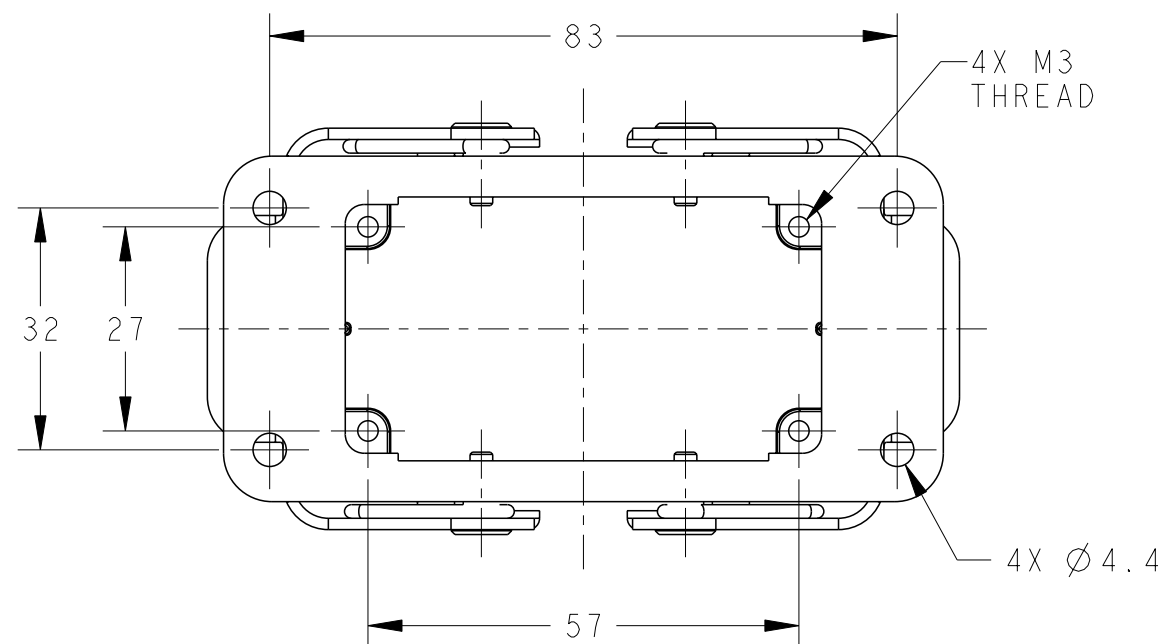
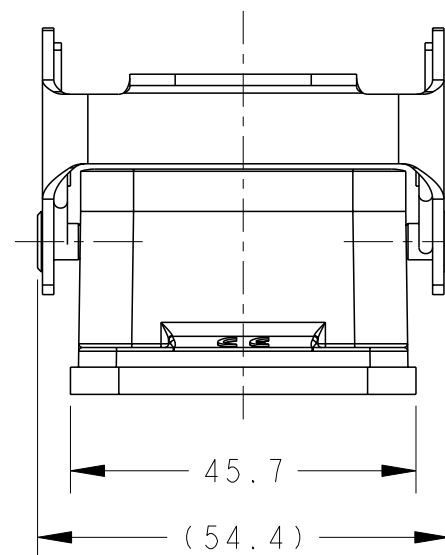
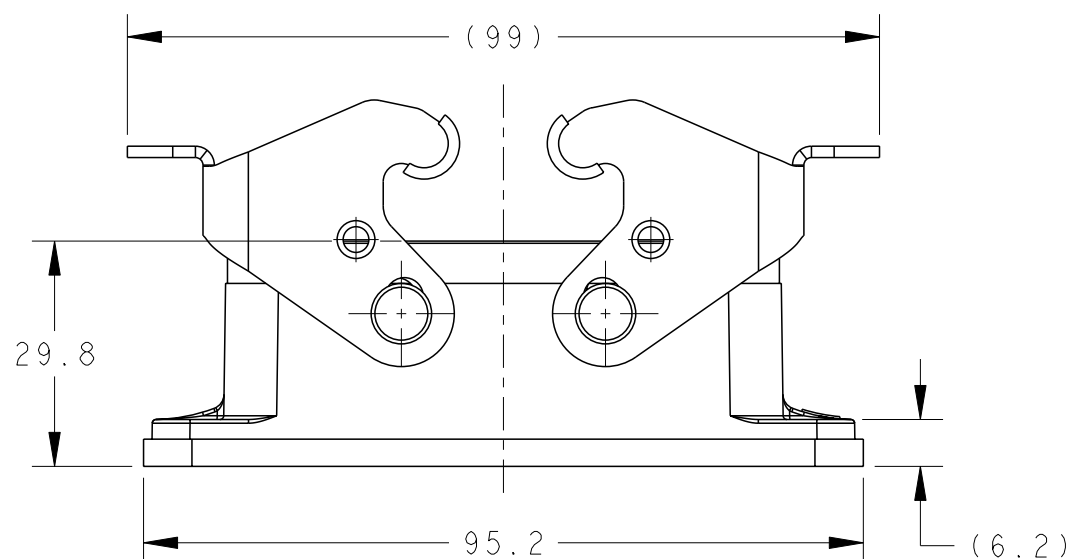
P	LTR	DESCRIPTION	DATE	DWN	APVD
A		INITIAL	25JUN2015	DW	CW
B		ECR-20-008181	03JUL2020	WQR	CW

NOTES:

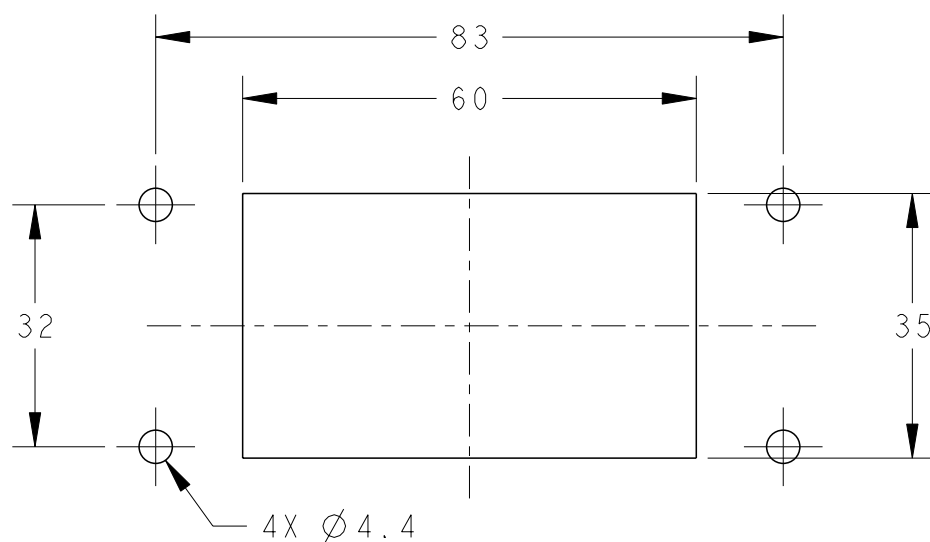
- 1. TECHNICAL CHARACTERISTICS:
HOUSING MATERIAL: DIE CAST ALUMINIUM ALLOY
SURFACE: POWDER COATED, GREY
DEGREE OF PROTECTION: IP65 (MATED)

注释:

- 1. 技术参数:
下壳材料: 铝合金
表面处理: 粉末涂层, 灰色
防护等级: IP65(配合)



PANEL CUT OUT



T1410102000-000	H10B-AG	GREY
T1410102000-100	H10B-AG	GREY FLANGE SEALING FIXED BY GLUE WITH HOUSING
PART NUMBER	DESCRIPTION	REMARK

THIS DRAWING IS A CONTROLLED DOCUMENT.		DWN 25JUN2015 David Wang		
DIMENSIONS: mm		CHK 25JUN2015 Chris Wang		
TOLERANCES UNLESS OTHERWISE SPECIFIED:		APVD 25JUN2015 Xiang Xu		
0 PLC ±- 1 PLC ±- 2 PLC ±- 3 PLC ±- 4 PLC ±- ANGLES ±-		PRODUCT SPEC 108-137013		
MATERIAL		FINISH	APPLICATION SPEC 114-137013	NAME H10B-AG
-		-	WEIGHT	SIZE
-		-	-	A300779
		Customer Drawing	RESTRICTED TO	C-T1410102000X00
			-	SCALE 1:1
				SHEET 1 OF 1
				REV B

printed on 5 Jan 2021 13:51 from TE343646