

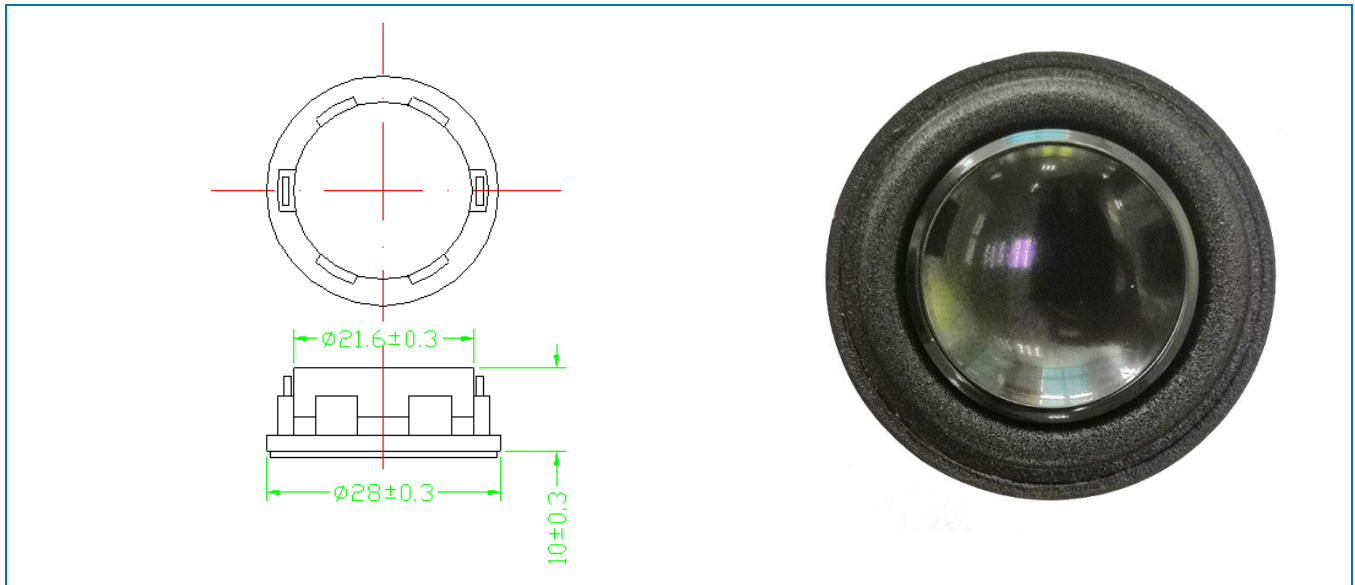
**Model No: NS28D-0402-07**

Rev : 1.0

### Product Description

Small size, high sensitivity, flat frequency response curve, small distortion, high quality sound

### Mechanical Drawing



### Specifications

ITEMS	DATA	UNIT	ITEMS	DATA	UNIT
Impedance	4	Ohm	F <sub>0</sub>	450	Hz
Sensitivity	91	dB	Frequency Range	400-20K	Hz
THD	5	%	Weight	14.2	g
Rated Power	2	W	Operating Temp	-40~80	°C
Max Power	3	W			

### Frequency Response Curve

