

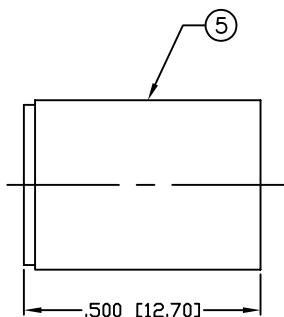
THIS DRAWING CONTAINS INFORMATION PROPRIETARY TO RF INDUSTRIES.  
 ANY UNAUTHORIZED USE OF THIS DRAWING IS EXPRESSLY PROHIBITED  
 WITHOUT WRITTEN PERMISSION FROM RF INDUSTRIES.  
 ANY VIOLATION IS PUNISHABLE UNDER U.S. COPYRIGHT LAWS.

ALL DIMENSIONS ARE REFERENCE ONLY

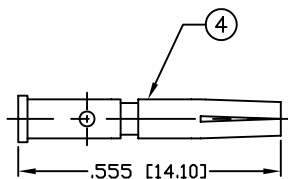
PART NO.

**RFB-1724-Q**

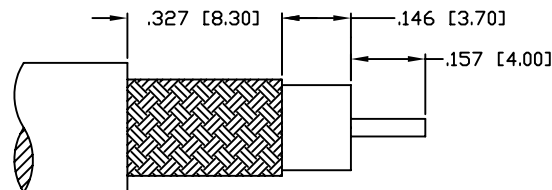
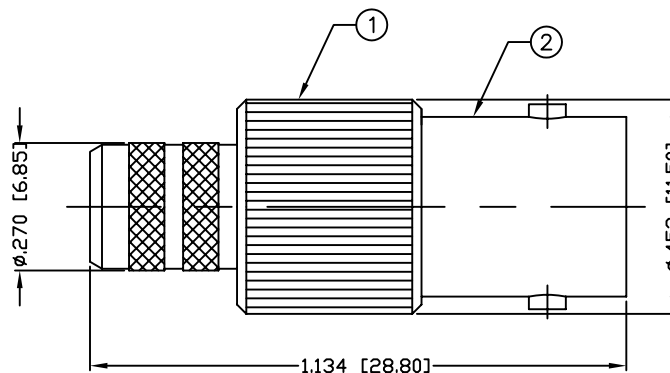
REV	DESCRIPTION	DWN	DATE	APPROVED
-	ENGINEERING RELEASE	GGG	05/16/01	JDMc
A	Changed description on notes table	JDM	05/11/09	JDMc



RECOMMENDED CRIMP DIE: .319"



RECOMMENDED CRIMP DIE: .068"



RECOMMENDED STRIPPING DIMENSIONS

**SPECIFICATIONS:**

IMPEDANCE: 75 Ohms  
 FREQUENCY RANGE: 0-2 GHz  
 WORKING VOLTAGE: 500 V rms @ sea level  
 TEMPERATURE RANGE: -65°C TO 165°C  
 INSULATION RESISTANCE: 5k M Ohms min.  
 FOR RG-6/U Type; Belden 1694A, 9248;  
 CommScope 5715, 5729, 5765

1	BODY	1	BRASS	NICKEL, 100μ"	008974	
2	BNC BODY	1	BRASS	NICKEL, 100μ"		
3	INSULATOR	1	PTFE	---		
4	CONTACT	1	PHOS BRONZE	GOLD, 3		
5	FERRULE	1	JIS	NICKEL, 100μ"		
6						
7						
8						
9						
10					DRAWN	
11					G. GALLEGOS	1/29/02
12					CHECKED	
13						
14					ORJ DRAWN	
					G. GALLEGOS	1/29/02
#	DESC	QTY	MATERIAL	FINISH	APPROVALS	DATE

UNLESS OTHERWISE SPECIFIED:  
 1. REMOVE ALL BURRS  
 2. BREAK ALL CORNERS & EDGES .005 R. MAX.  
 3. CHAMFER 1ST & LAST THREADS 45°  
 4. SURFACE ROUGHNESS 63 FINISH MIL-STD-10  
 5. DIAMETERS ON COMMON CENTERS TO BE CONCENTRIC WITHIN .002 T.I.R.  
 6. ALL DIMENSIONS ARE AFTER PLATING.

DIMENSIONS ARE IN INCHES AND [MILLIMETERS]  
 UNLESS OTHERWISE NOTED TOLERANCES ARE:  
 DECIMALS      DIAMETER  
 .xxx±.003 [.08]      .xxx±.001 [.03]  
 .xx±.005 [.13]      .xx±.003 [.08]



7610 MIRAMAR RD  
 SAN DIEGO, CA 92126  
 (858) 549-6340  
 (858) 549-6345 FAX

**BNC JACK CRIMP**

SIZE	CABLE GROUP	DWG NO.	REV
A	Q	RFB-1724-Q	A
SCALE:	NTS	CAD FILE	OUTLINE
			SHEET 1 OF 1