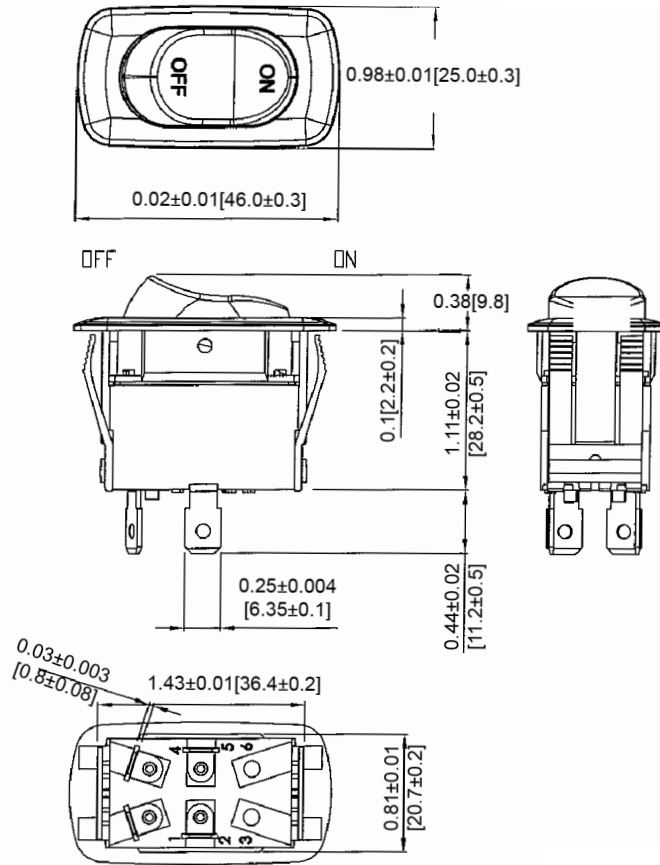
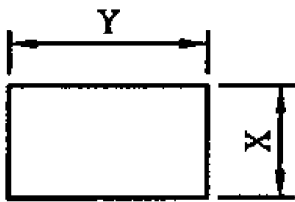


Mechanical Dimensions: Inches [mm]

Tolerances ± 0.012 [0.3] Unless Otherwise Specified



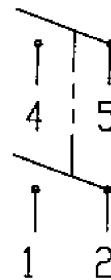
Mounting Hole



Thickness	X	Y
0.03~0.05 [0.75~1.25]	0.83+0.004 [21.2+0.1]	1.44+0.004 [36.6+0.1]
0.05~0.1 [1.25~2.0]	0.83+0.004 [21.2+0.1]	1.45+0.004 [36.8+0.1]
0.1~0.12 [2.0~3.0]	0.83+0.004 [21.2+0.1]	1.46+0.004 [37.0+0.1]

Circuit Diagram

4P DPST OFF-ON



Electrical Specifications

Rating 16(4)A 125/250V AC. R/GP: 20A 125V AC 16A 125VAC 10A 277VAC 3/4HP

Contact Resistance 50m ohm Max

Insulation Resistance DC 500V 100M ohm Min

Dielectric Strength AC 1500V 1 minute

Operation Temperature -20°C~85°C

Material Specifications

Frame Black, Nylon 66

Actuator Black, Nylon 66

Waterproof IP56

Printed White, hot stamping

Rev	Date of issue	Revision Notes	Designed	Approved
B	06-08-2021	Initial Drawing	RC	OF