

U_B2B-Connectors
B2B-Connectors.SchDoc

U_B13
B13.SchDoc

U_B14
B14.SchDoc

U_B15
B15.SchDoc

U_B16
B16.SchDoc

U_B34
B34.SchDoc

U_FPGA-MGT
FPGA-MGT.SchDoc

U_FPGA-CFG
FPGA-CFG.SchDoc

U_FPGA-PWR
FPGA-PWR.SchDoc

U_Clock
Clock.SchDoc

U_DDR3-RAM
DDR3-RAM.SchDoc

U_ETHERNET
ETHERNET.SchDoc

U_CPLD
CPLD.SchDoc

U_PWR1
PWR1.SchDoc

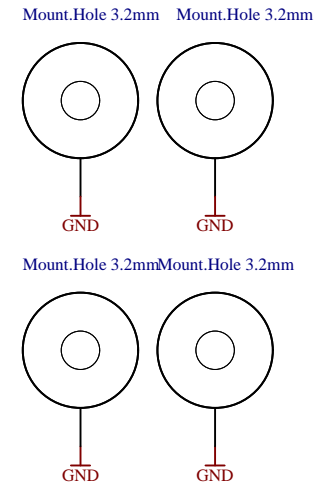
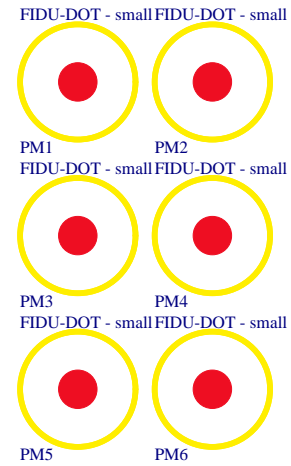
U_PWR2
PWR2.SchDoc

Serial
Serialnumber 6,3 x 6.3mm

Special notes:

-
-

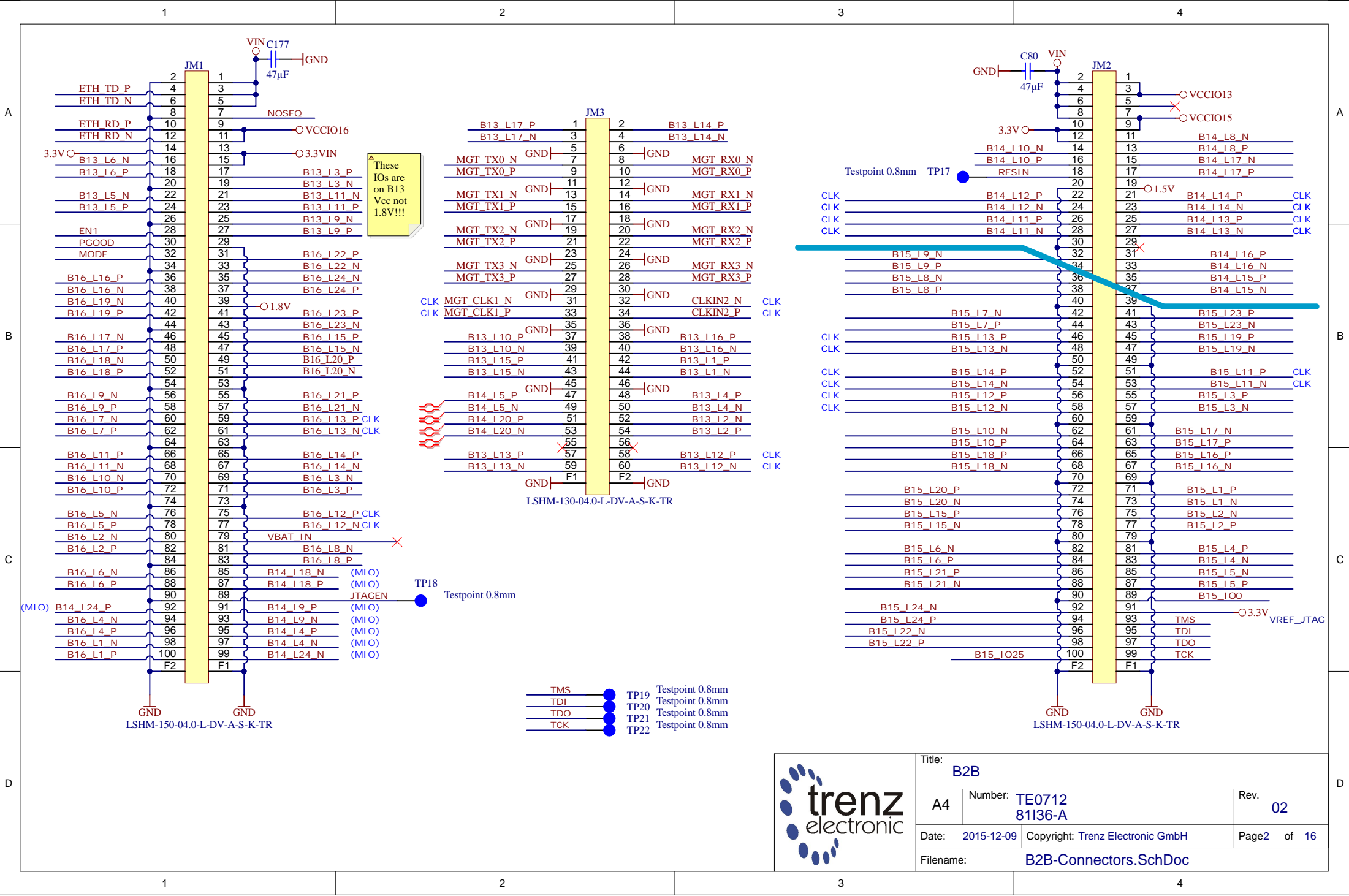
Top of Board



Assembly variant	81136-A
Created by	MR
Modified by	MR
Modified at	2021-02-16
SVN Revision	

Title: TE0712		
A4	Number: TE0712 81136-A	Rev. 02
Date: 2015-12-09	Copyright: Trenz Electronic GmbH	Page1 of 16
Filename: TE0712.SchDoc		



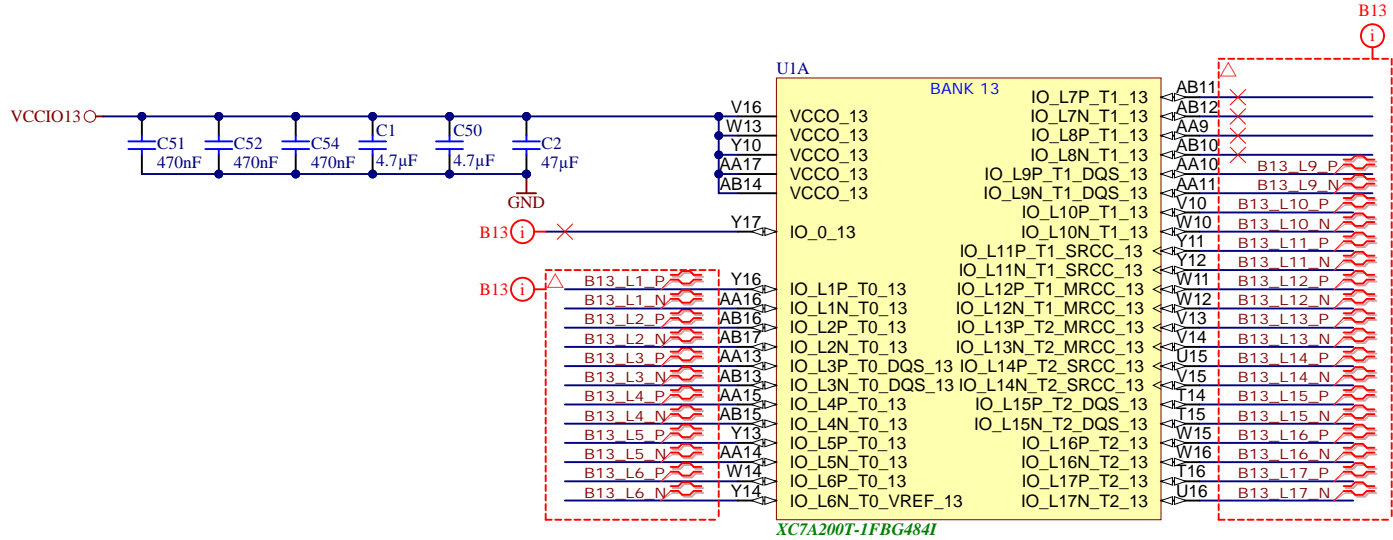


These IOs are on B13 Vcc not 1.8V!!!

- TMS Testpoint 0.8mm
- TDI Testpoint 0.8mm
- TDO Testpoint 0.8mm
- TCK Testpoint 0.8mm



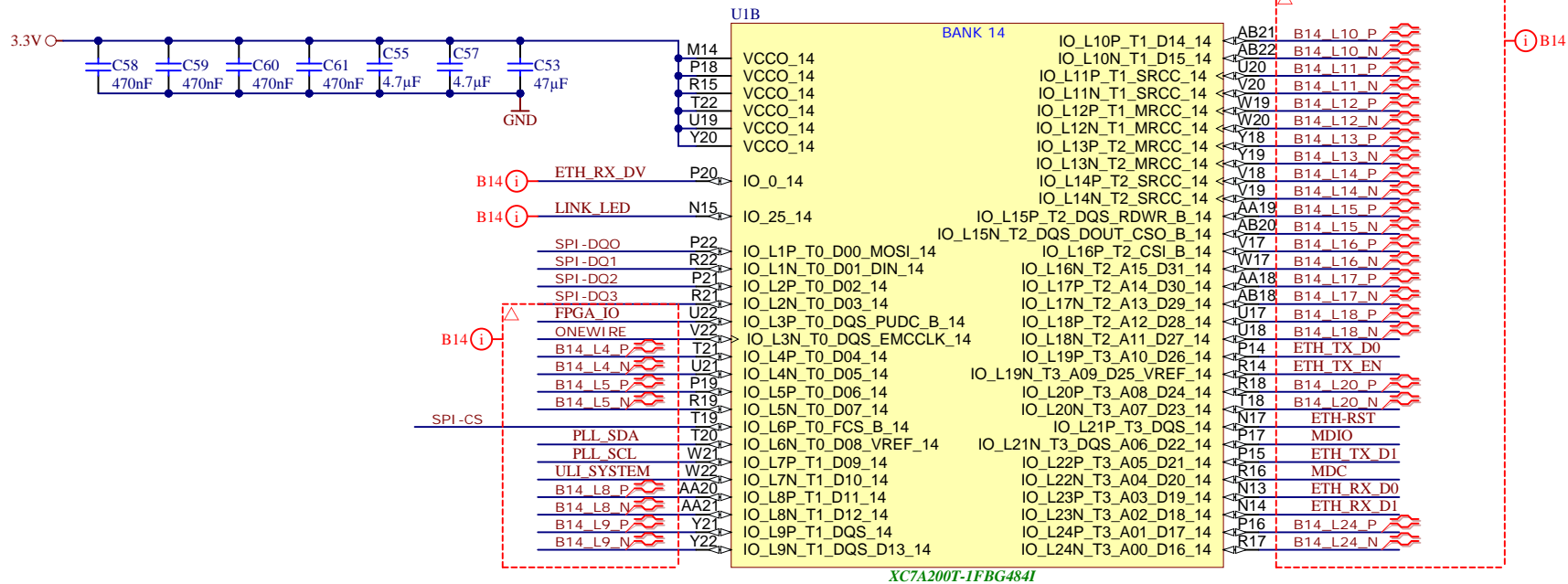
Title: B2B		
A4	Number: TE0712 81136-A	Rev. 02
Date: 2015-12-09	Copyright: Trenz Electronic GmbH	Page2 of 16
Filename: B2B-Connectors.SchDoc		



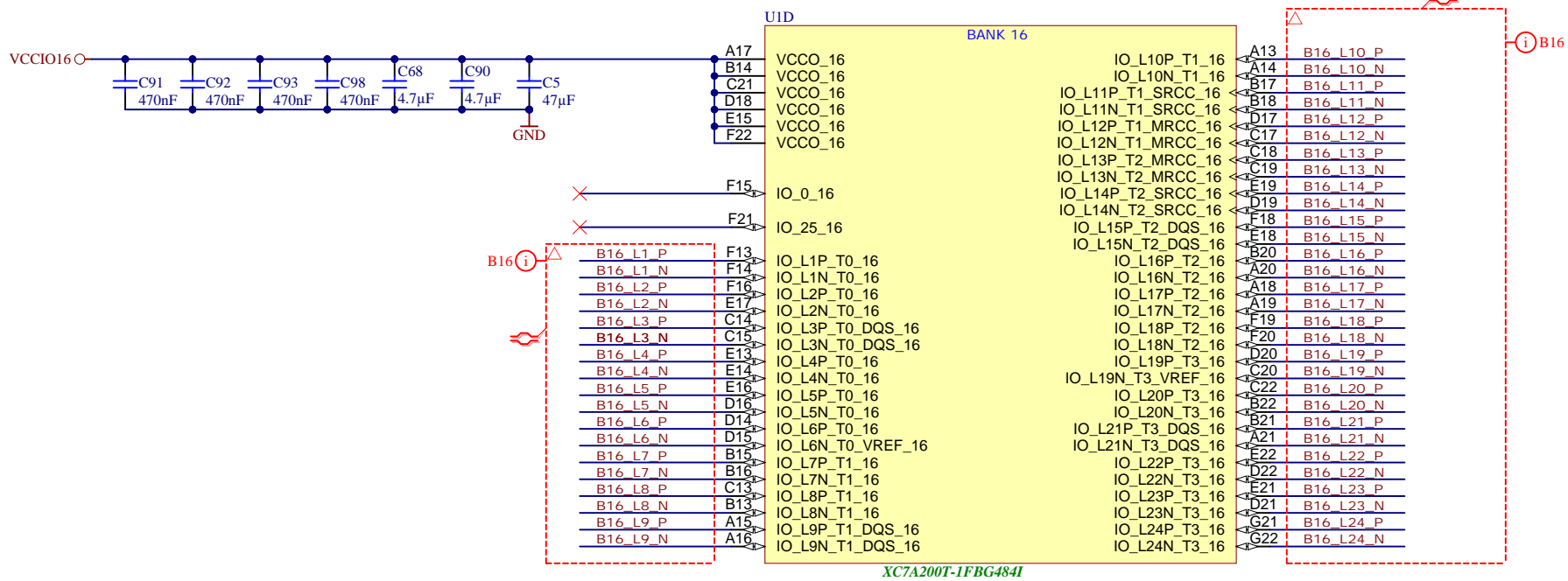
XC7A200T-1FBG484I



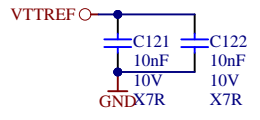
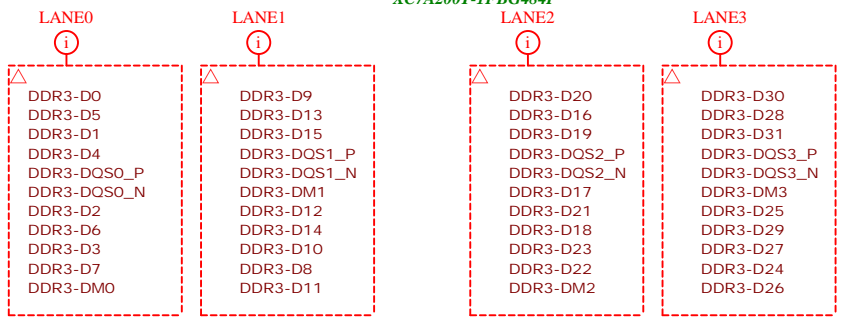
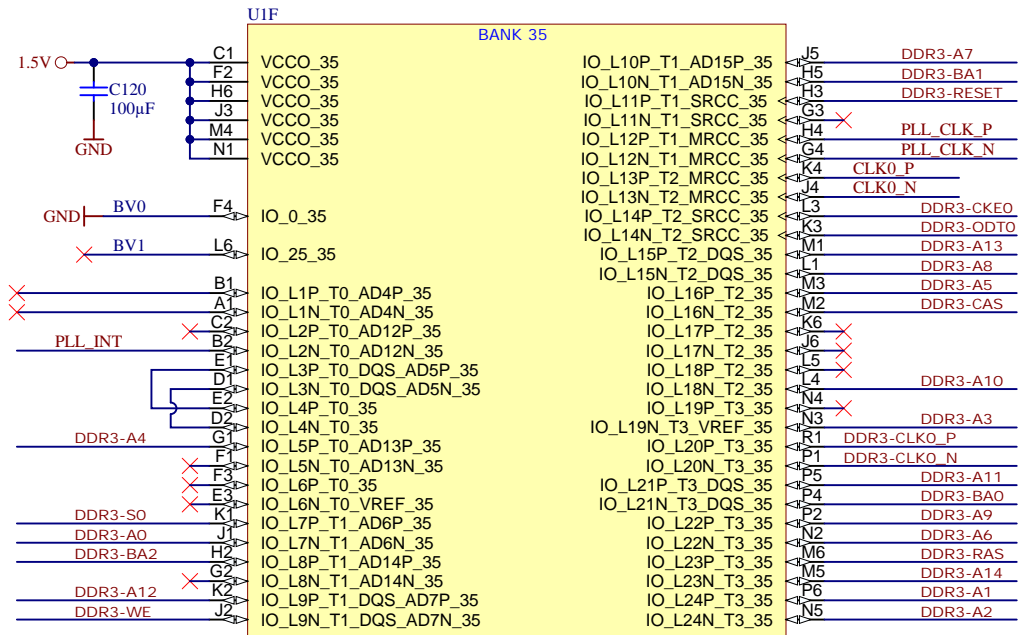
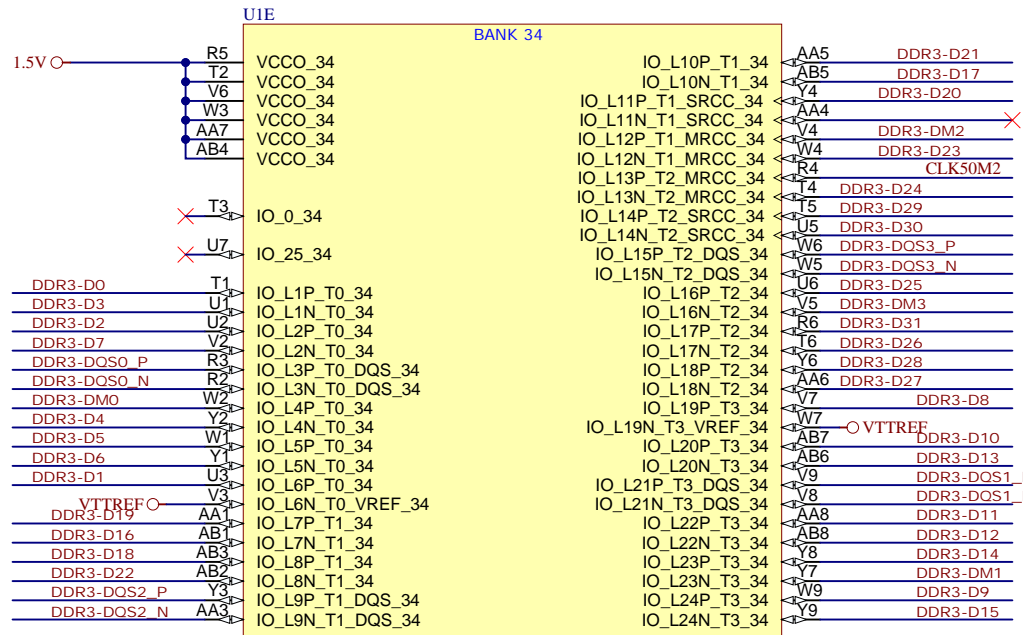
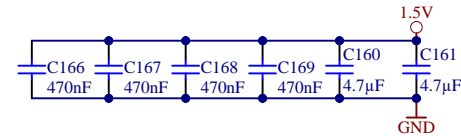
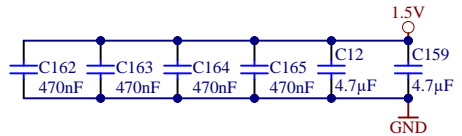
Title: B13		
A4	Number: TE0712 81136-A	Rev. 02
Date: 2015-12-09	Copyright: Trenz Electronic GmbH	Page 3 of 16
Filename: B13.SchDoc		



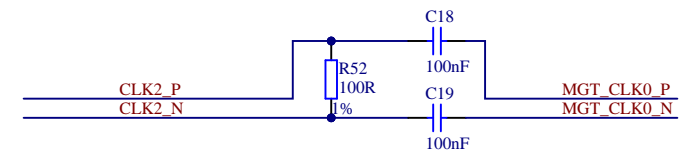
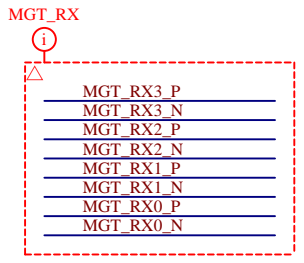
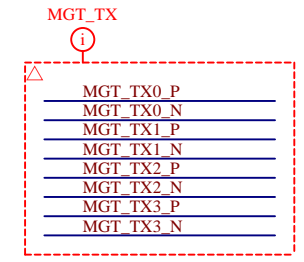
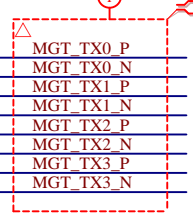
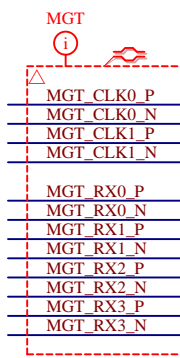
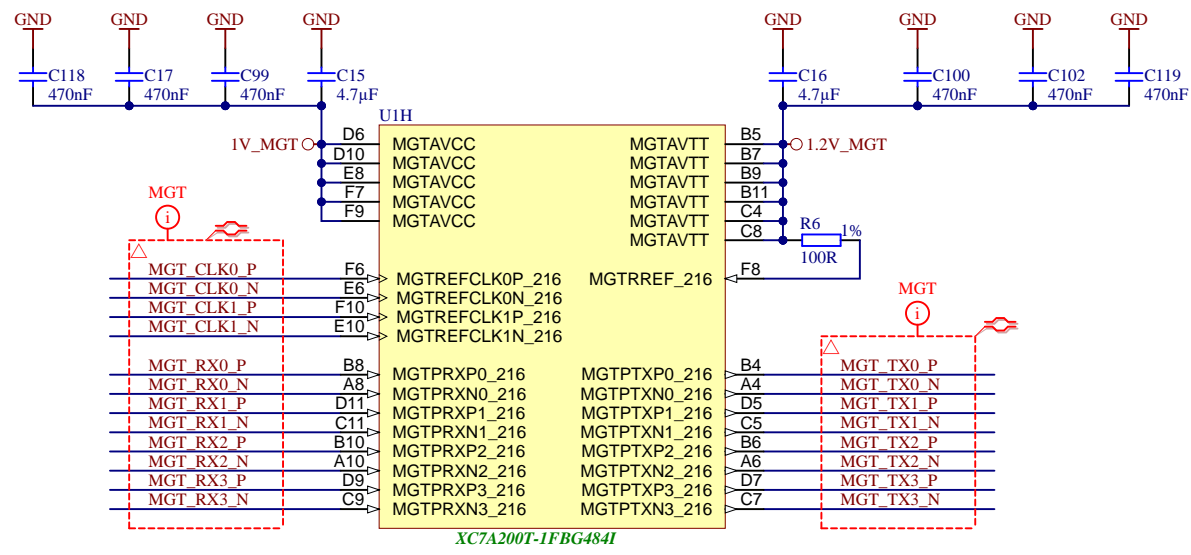
Title: B14		
A4	Number: TE0712 81136-A	Rev. 02
Date: 2015-12-09	Copyright: Trenz Electronic GmbH	Page 4 of 16
Filename: B14.SchDoc		



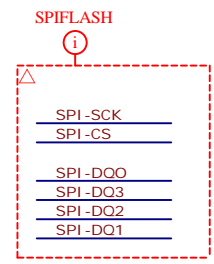
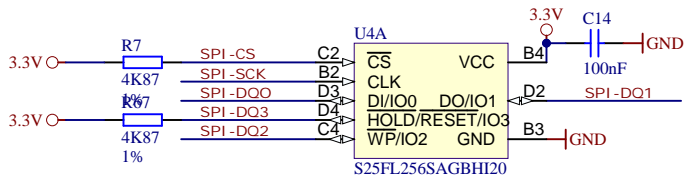
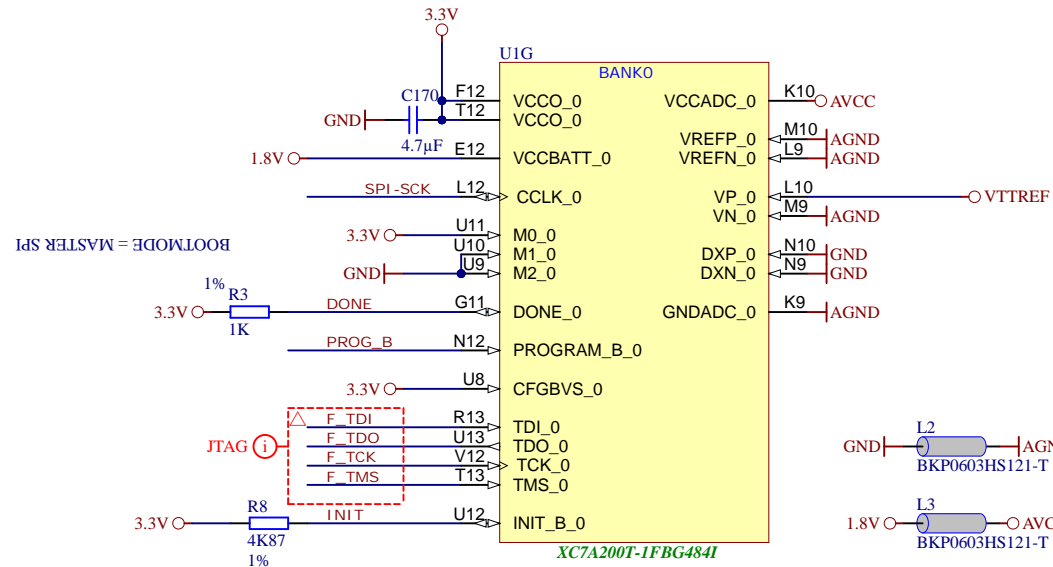
	Title: B16		
	A4	Number: TE0712 81136-A	Rev. 02
	Date: 2015-12-09	Copyright: Trenz Electronic GmbH	Page 6 of 16
	Filename: B16.SchDoc		



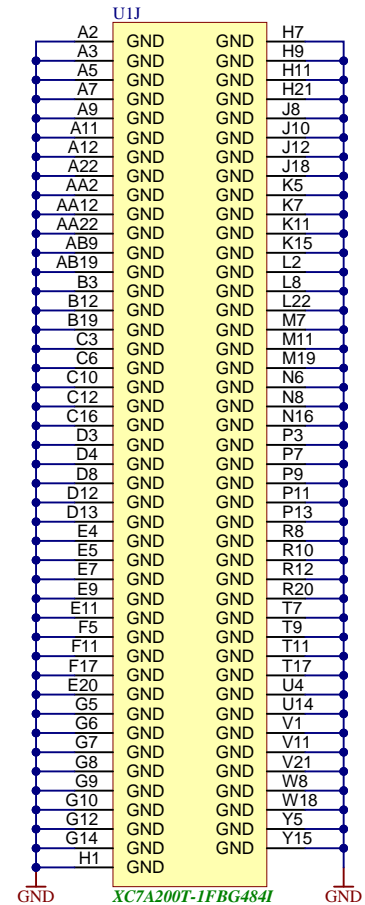
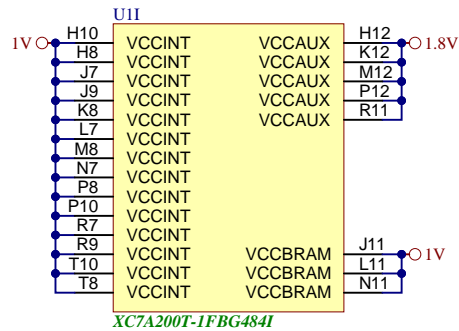
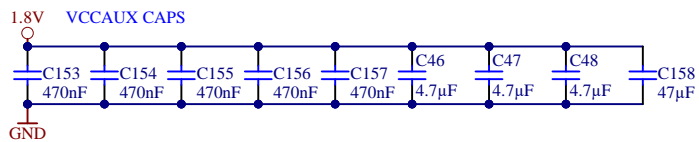
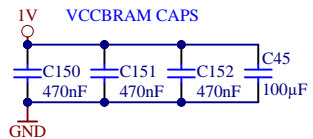
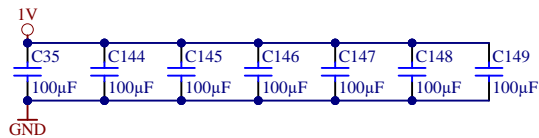
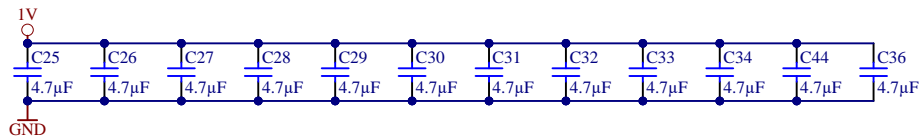
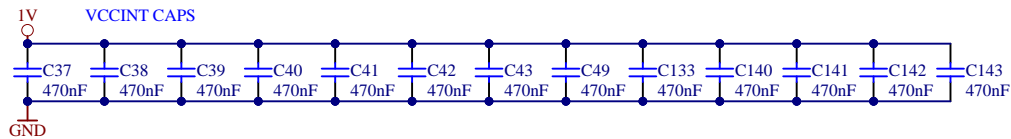
		Title: B34	
		A4	Number: TE0712 8136-A
Date: 2015-12-09	Copyright: Trenz Electronic GmbH	Rev. 02	Page 7 of 16
Filename: B34.SchDoc			



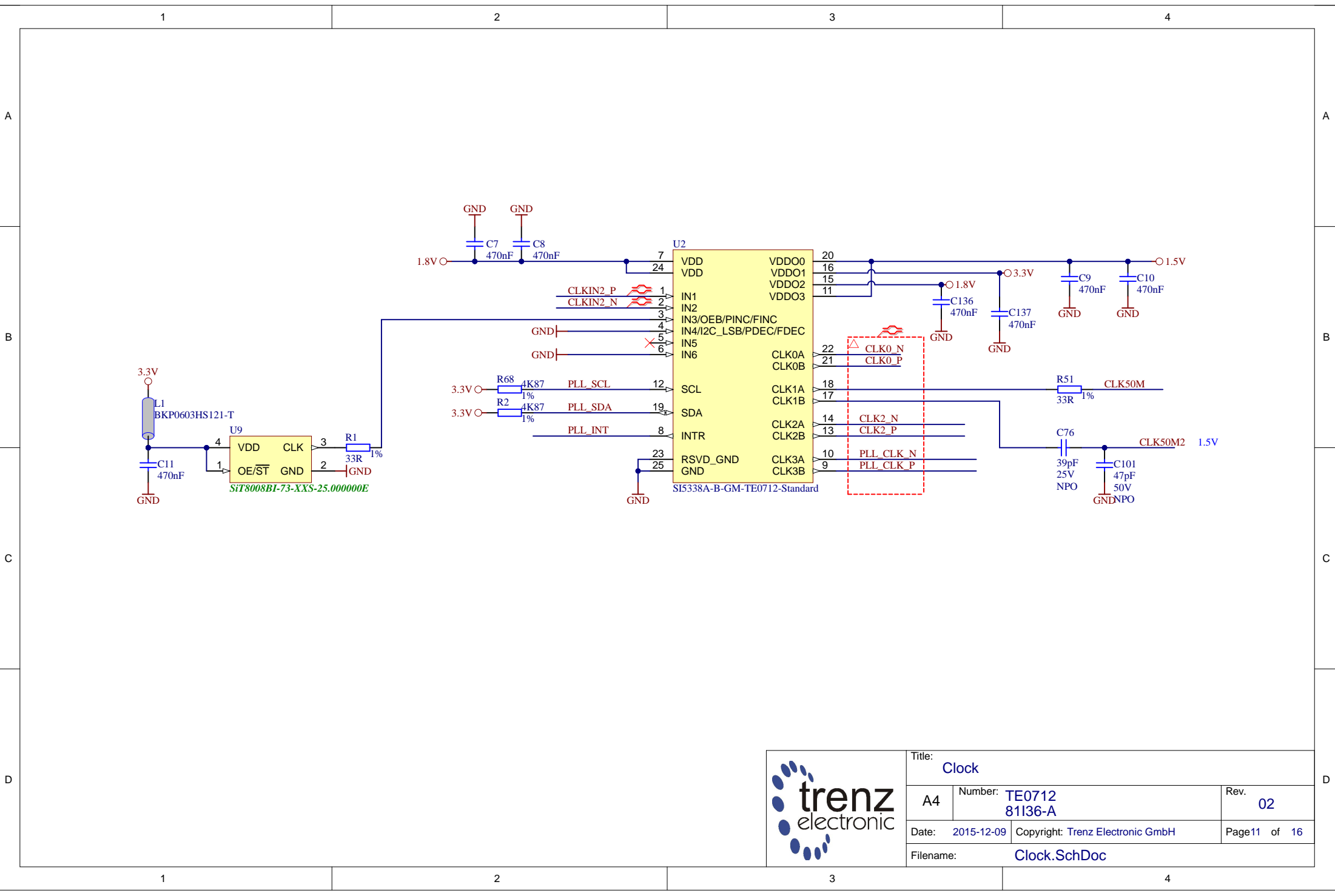
	Title: MGT		
	A4	Number: TE0712 81136-A	Rev. 02
	Date: 2015-12-09	Copyright: Trenz Electronic GmbH	Page 8 of 16
	Filename: FPGA-MGT.SchDoc		




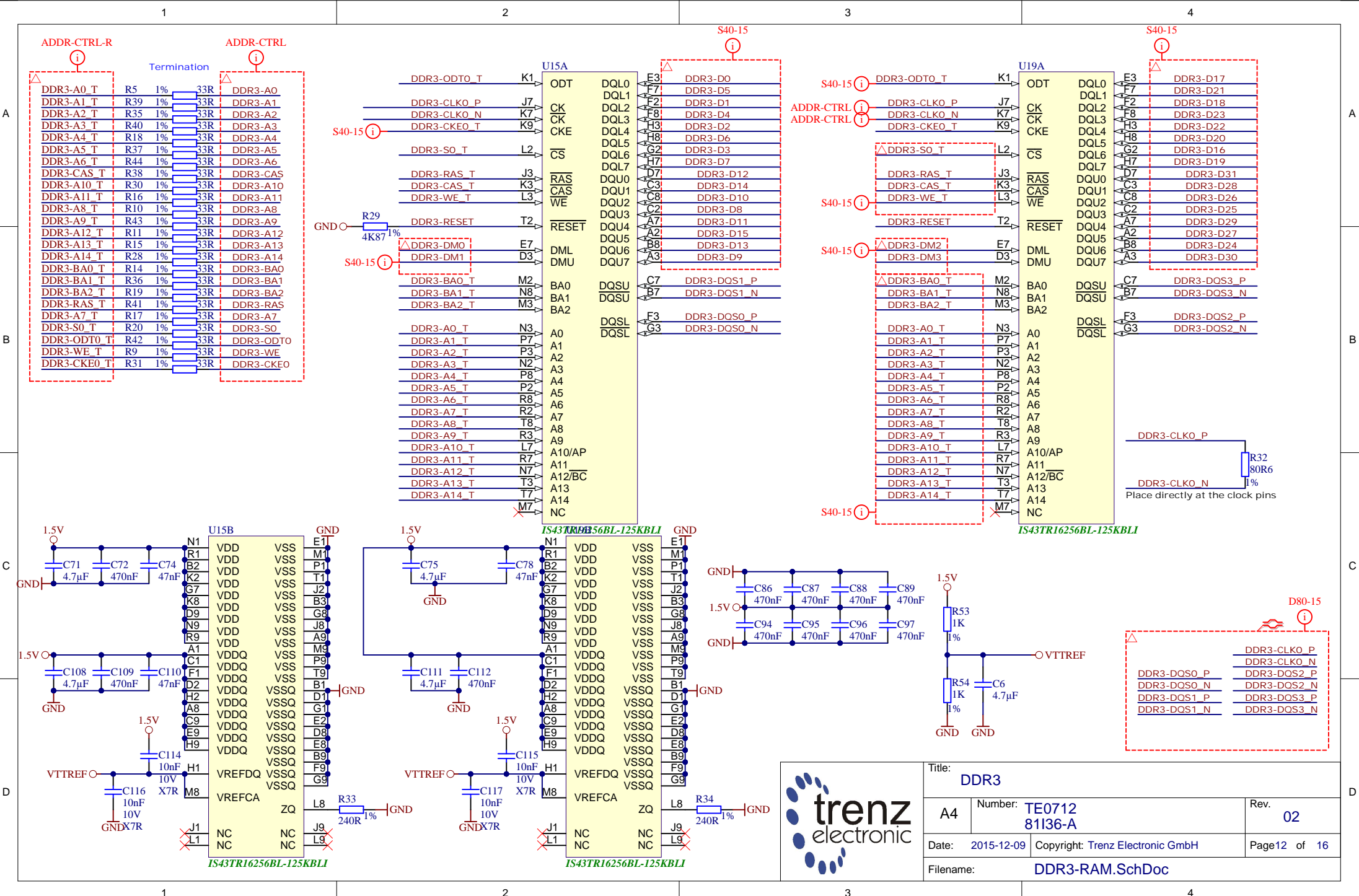
Title: CFG		
A4	Number: TE0712 81136-A	Rev. 02
Date: 2015-12-09	Copyright: Trenz Electronic GmbH	Page9 of 16
Filename: FPGA-CFG.SchDoc		



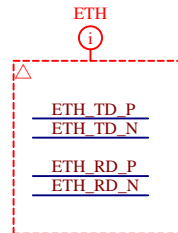
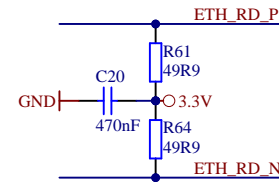
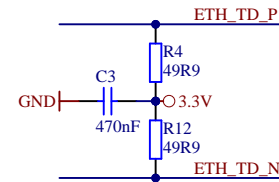
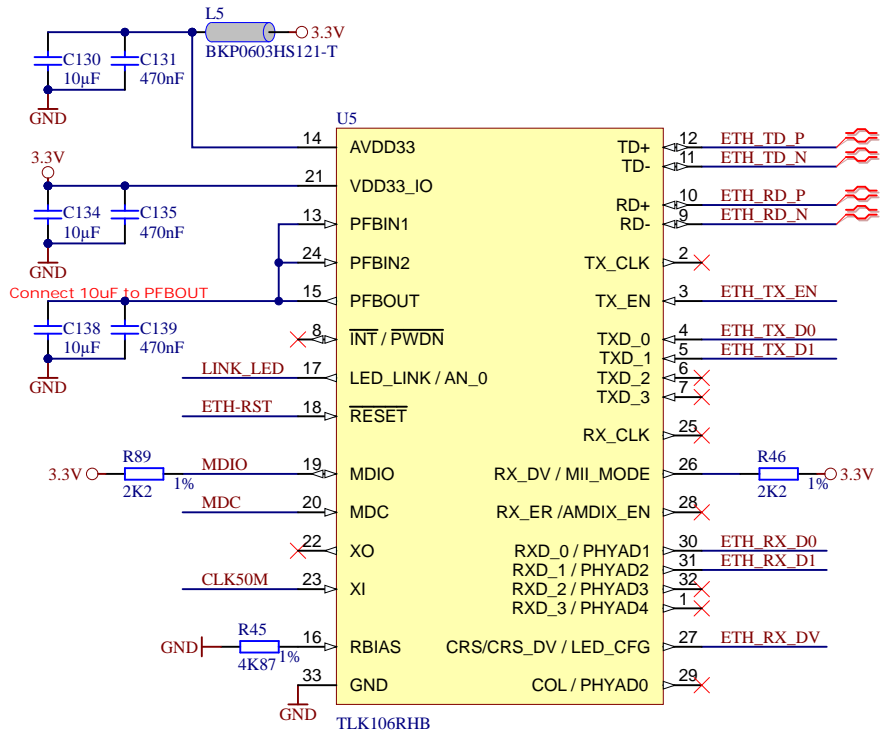
Title: PWR		
A4	Number: TE0712 81136-A	Rev. 02
Date: 2015-12-09	Copyright: Trenz Electronic GmbH	Page 10 of 16
Filename: FPGA-PWR.SchDoc		




	Title: Clock		
	A4	Number: TE0712 81136-A	Rev. 02
	Date: 2015-12-09	Copyright: Trenz Electronic GmbH	Page 11 of 16
	Filename: Clock.SchDoc		



Title: DDR3		
A4	Number: TE0712 81136-A	Rev. 02
Date: 2015-12-09	Copyright: Trenz Electronic GmbH	
Page 12 of 16		
Filename: DDR3-RAM.SchDoc		



		Title: ETH	
		A4	Number: TE0712 81136-A
Date: 2015-12-09		Copyright: Trenz Electronic GmbH	
Filename: ETHERNET.SchDoc		Page 13 of 16	

1

2

3

4

A

A

B

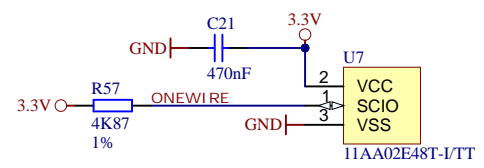
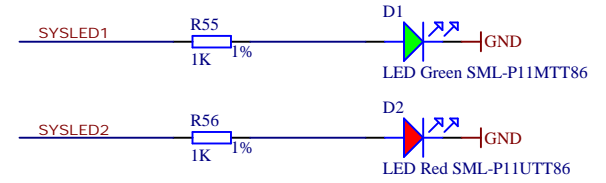
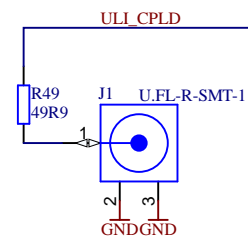
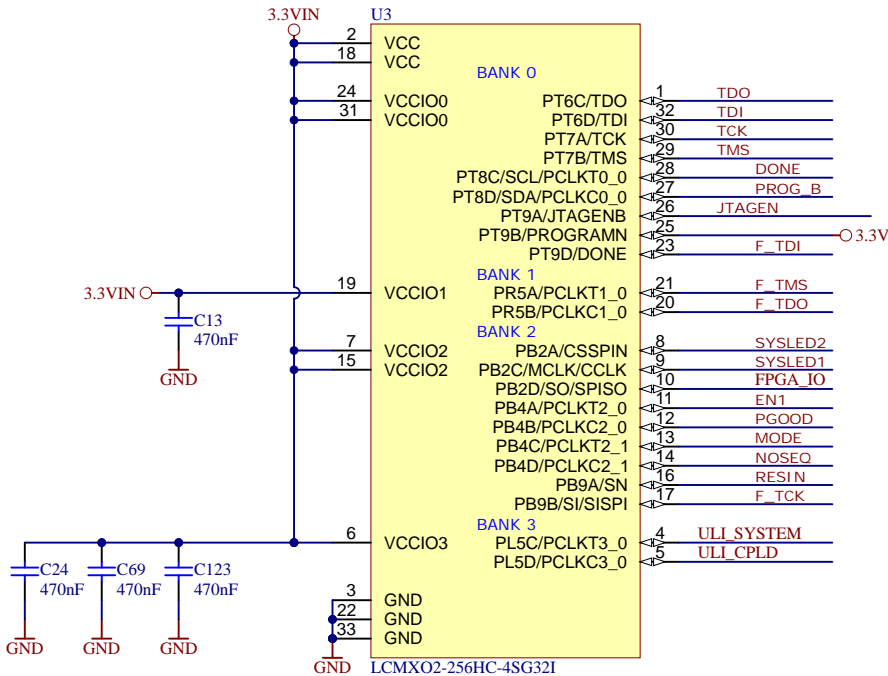
B


C

C

D

D



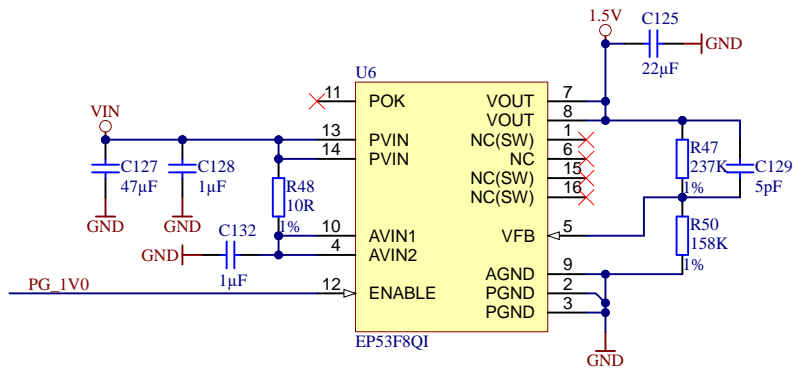
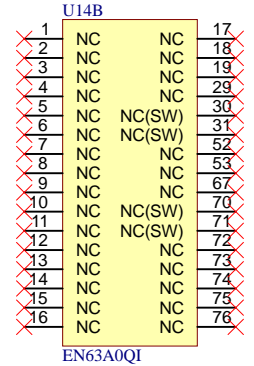
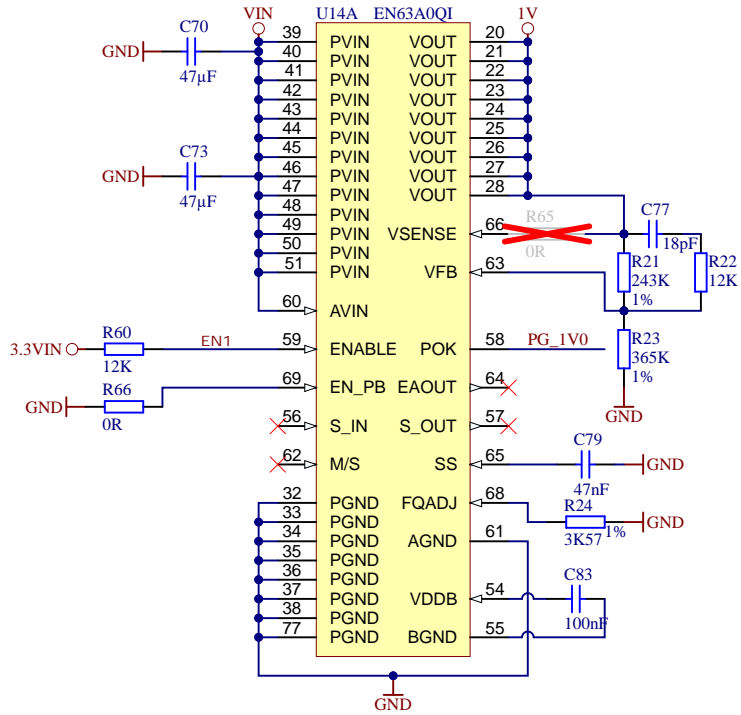
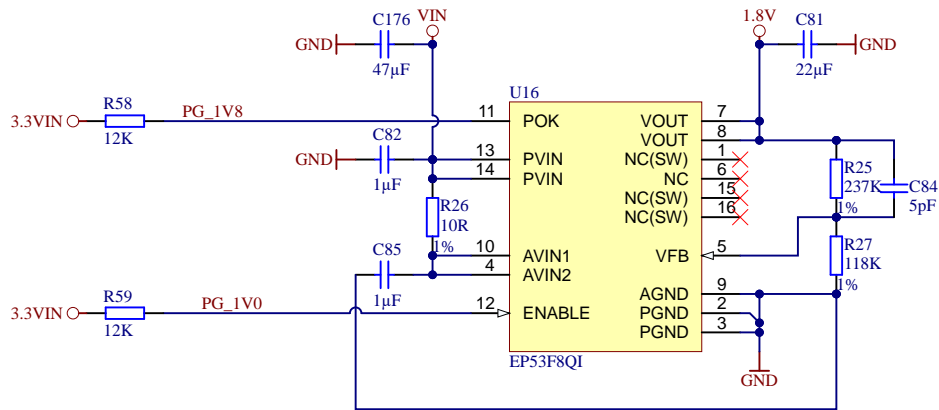
		Title: CPLD	
		A4	Number: TE0712 81136-A
Date: 2015-12-09		Copyright: Trenz Electronic GmbH	
Page 14 of 16		Page 14 of 16	
Filename: CPLD.SchDoc			

1

2

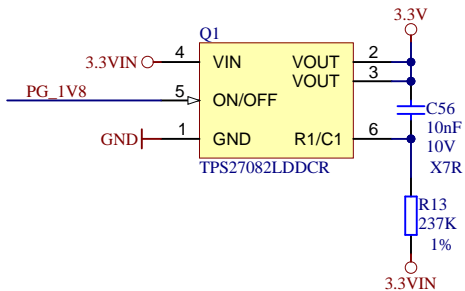
3

4



R65 R66 MODE EN63A0QI

 OK X | enable pre-bias start-up
 X OK | disable pre-bias start-up



- VIN ○ TP1 ● Testpoint 0.8mm
- 3.3VIN ○ TP4 ● Testpoint 0.8mm
- 3.3V ○ TP7 ● Testpoint 0.8mm
- 1.8V ○ TP10 ● Testpoint 0.8mm
- 1.5V ○ TP13 ● Testpoint 0.8mm
- VTTREF ○ TP3 ● Testpoint 0.8mm

- 1V ○ TP2 ● Testpoint 0.8mm
- 1.2V_MGT ○ TP5 ● Testpoint 0.8mm
- VCCIO13 ○ TP8 ● Testpoint 0.8mm
- VCCIO15 ○ TP11 ● Testpoint 0.8mm
- VCCIO16 ○ TP14 ● Testpoint 0.8mm

- GND ○ TP6 ● Testpoint 0.8mm
- GND ○ TP9 ● Testpoint 0.8mm
- GND ○ TP12 ● Testpoint 0.8mm
- GND ○ TP15 ● Testpoint 0.8mm
- GND ○ TP16 ● Testpoint 0.8mm



Title: PWR		
A4	Number: TE0712 81136-A	Rev. 02
Date: 2015-12-09	Copyright: Trenz Electronic GmbH	Page 15 of 16
Filename: PWR1.SchDoc		

1

2

3

4

A

A

B

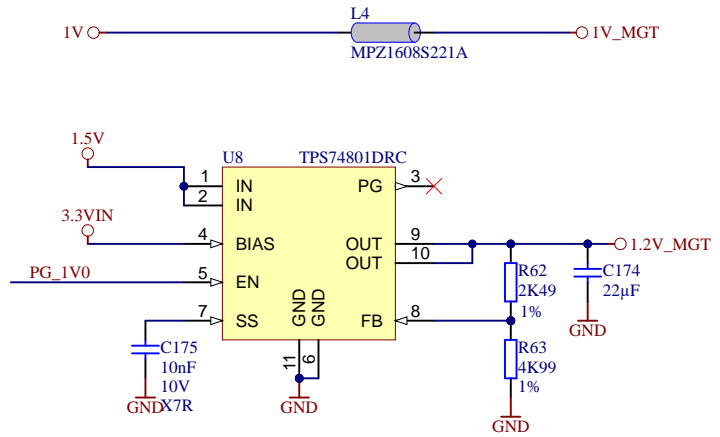
B

C

C

D

D



Title: PWR		
A4	Number: TE0712 81136-A	Rev. 02
Date: 2015-12-09	Copyright: Trenz Electronic GmbH	Page 16 of 16
Filename: PWR2.SchDoc		

1

2

3

4