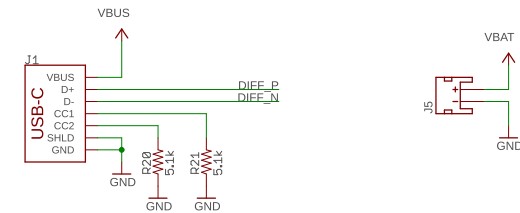
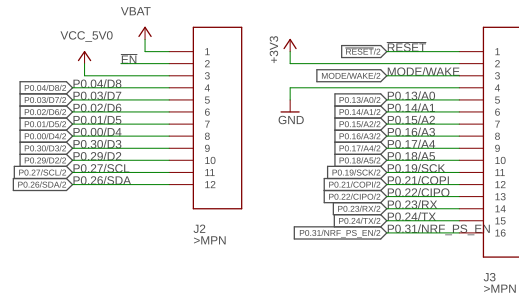
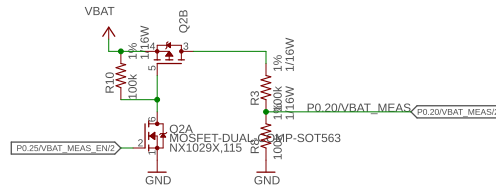


Buck/Boost

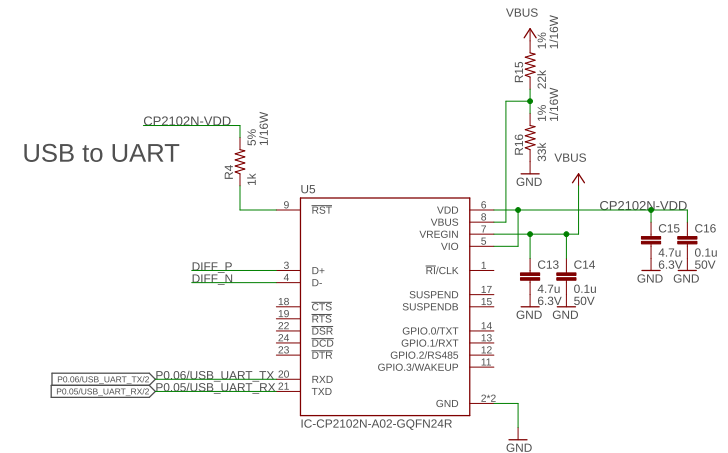
Headers



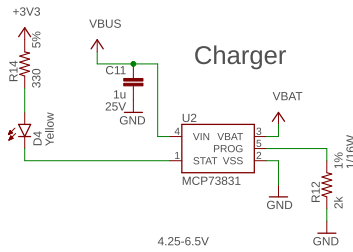
Power Connectors



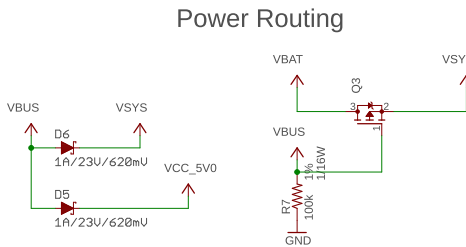
Battery Measurement



USB to UART



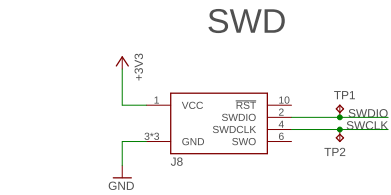
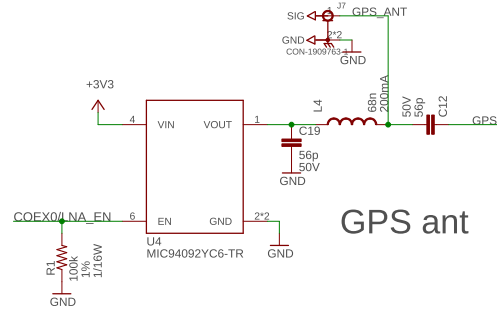
Charger



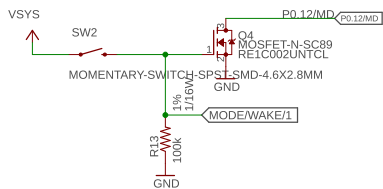
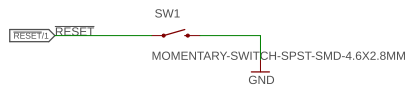
Power Routing



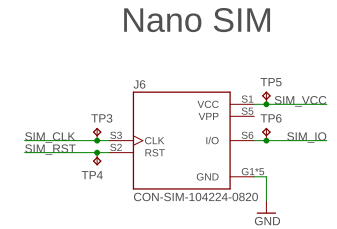
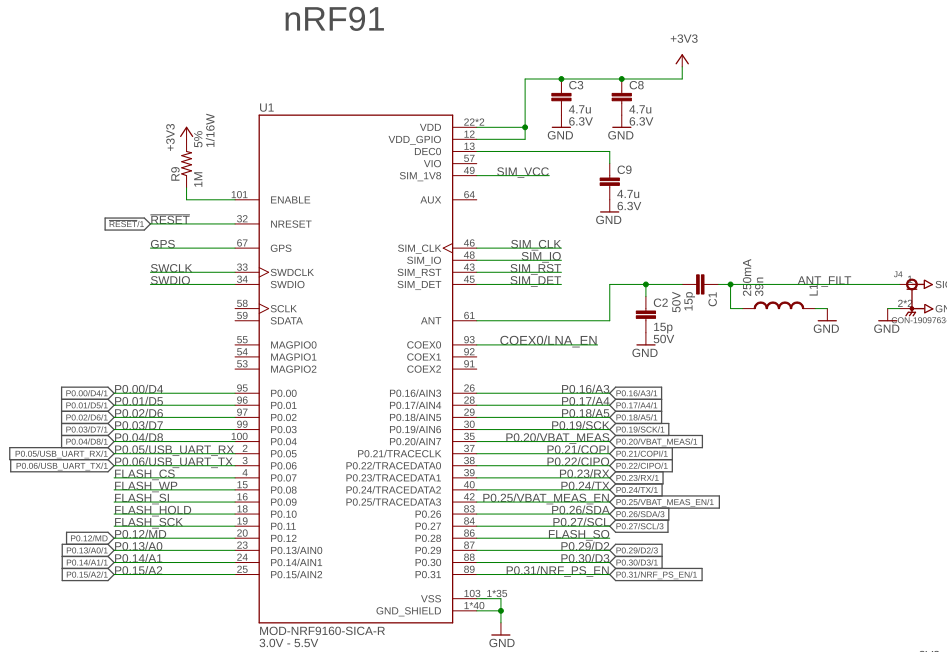
| | | | |
|---------------------------|--|-------------------------|--|
| Company: Circuit Dojo | | Author: Jared Wolff | |
| Title: nRF9160 Thing Plus | | | |
| Document Number: SCH-0016 | | REV: 1 | |
| Board Number: BRD-0016 | | Date: 2/19/2021 2:18 PM | |
| Date: 2/19/2021 2:18 PM | | Sheet: 1/3 | |



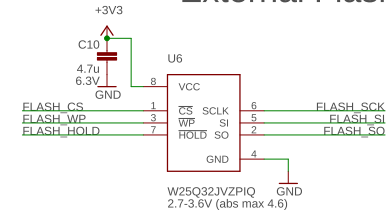
Buttons



Some footprints provided by SnapEDA

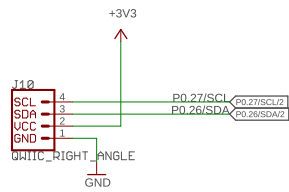


External Flash

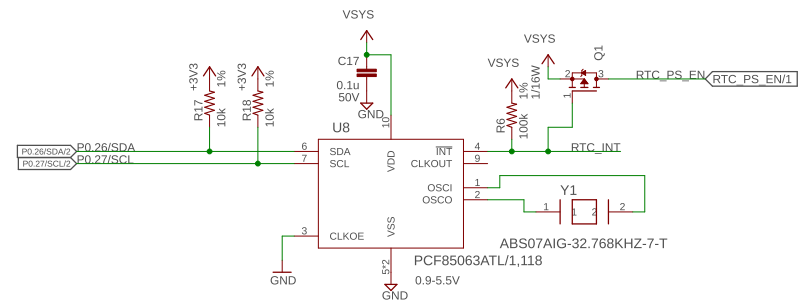


| | | | |
|---------------------------|--|---------------------|--|
| Company: Circuit Dojo | | Author: Jared Wolff | |
| Title: nRF9160 Thing Plus | | | |
| Document Number: SCH-0016 | | REV: 1 | |
| Board Number: BRD-0016 | | | |
| Date: 2/19/2021 2:18 PM | | Sheet: 2/3 | |

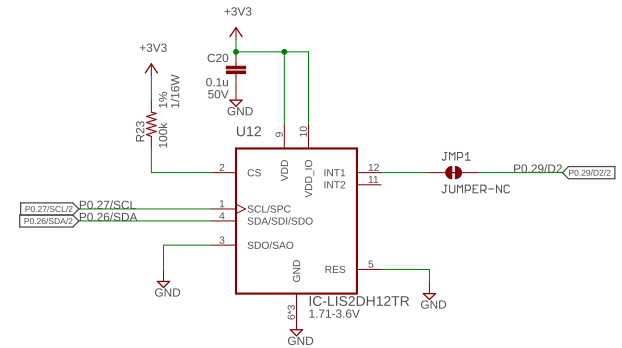
Qwiic



Real Time Clock



Accelerometer



Some footprints provided by SnapEDA



| | | | |
|---------------------------|--|-------------------------|--|
| Company: Circuit Dojo | | Author: Jared Wolff | |
| Title: nRF9160 Thing Plus | | | |
| Document Number: SCH-0016 | | REV: 1 | |
| Board Number: BRD-0016 | | Date: 2/19/2021 2:18 PM | |
| | | Sheet: 3/3 | |