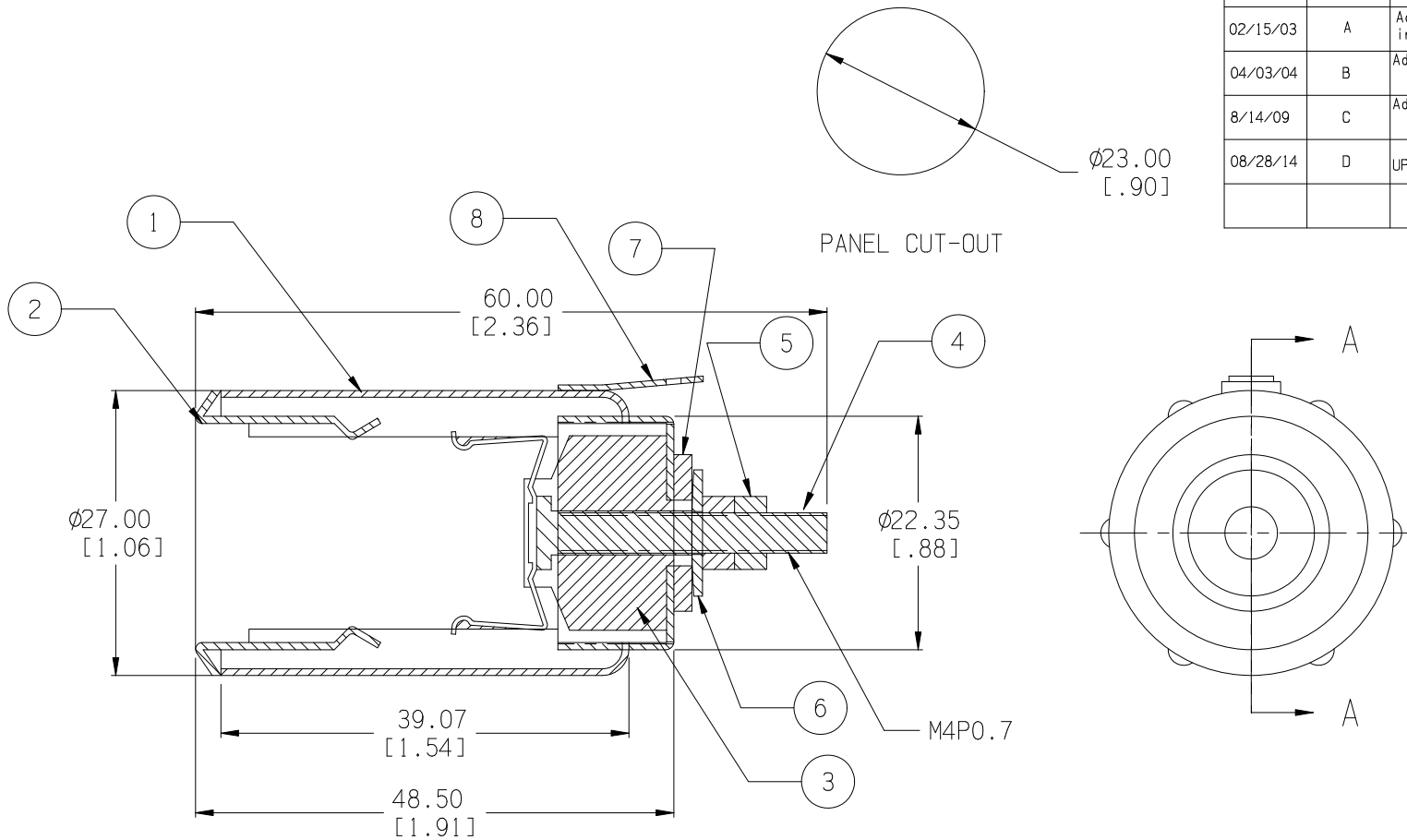



Date	SYM	REVISION RECORD	AUTH	DR.	CK.
02/15/03	A	Added panel cut-out information	T.B.	B.S.	
04/03/04	B	Added Electrical Rating	T.B.	B.S.	
8/14/09	C	Added Bill Of Material	T.B.	B.S.	
08/28/14	D	UPDATED TO ROHS 2 COMPLIANT	T.B.	B.S.	



ELECTRICAL RATING: 12V, 10 AMP  
ROHS 2 COMPLIANT

BILL OF MATERIAL

PART NAME	QTY.	MATERIAL
Casting	1	Iron, Nickel Plated
Inner Tube	1	Iron, Nickel Plated
Porcelain Socket	1	Ceramic
(+) Screw	1	Brass
Nut	1	Iron, Nickel Plated
Washer	1	Iron, Nickel Plated
Insulation	1	Bakelite
(-) Terminal	1	Iron, Nickel Plated

Tolerance (Inches)	 Memory Protection Devices, Inc. 200 Broad Hollow Road, Farmingdale, New York 11735	Scale	Drawn By B.S.
Decimal			Approved By T.B.
±.5 (.020)	Title CIGARETTE SOCKET, METAL BAKELITE INSULATOR, SCREW-LOCK TYPE	Date	Drawing Number
Fractional		08/28/14	ZA2060
± .8 (.030)			
Angular			
± 3°			