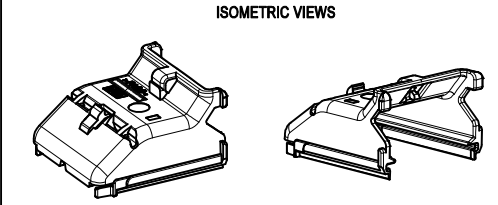
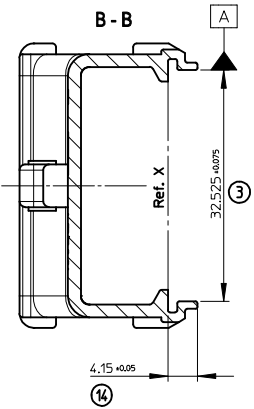
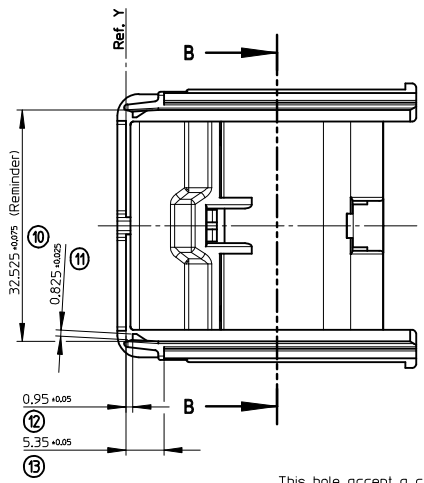
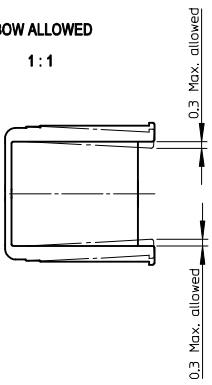
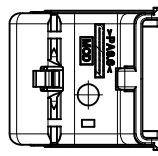
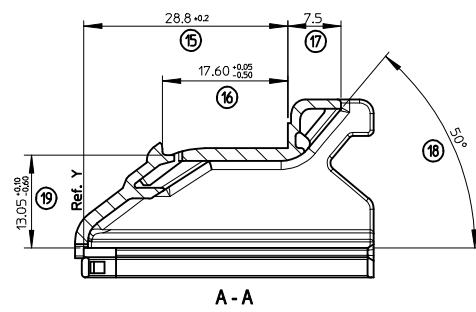
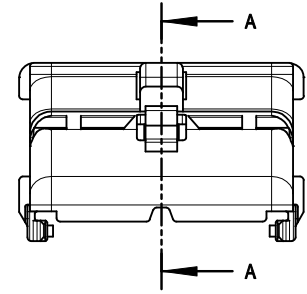
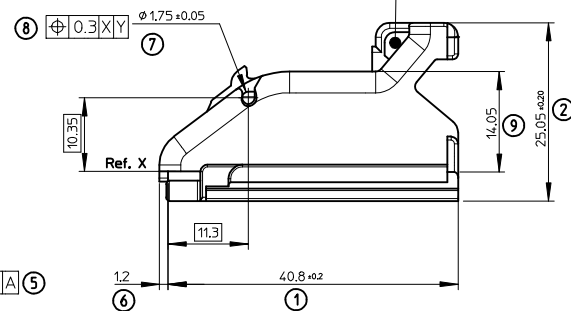
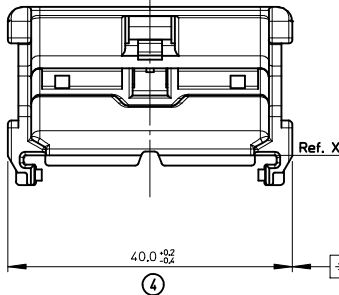
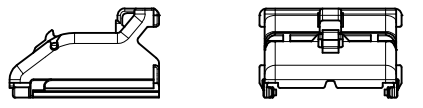


BOW ALLOWED

1:1



ISOMETRIC VIEWS

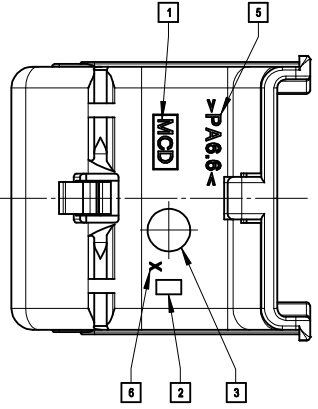


1:1

- MARKINGS:**
- 1 - Supplier Acronym: MCD
 - 2 - Revision Level
 - 3 - Datum Month/Year
 - 5 - Material
 - 8 - Preint Identification N°

- NOTES:**
- 1 -Material: >PA6.6< , Color: Black, Spec.: Heat Stabilized.
 - 2 -Delivered Product Weight: 6.000 g
 - 3 -Related Counterpart: Female Connector CMC 53 Ways.

INSPECTION BALLOON NUMBER LOG	
PER DRAWING REVISION: C	
LAST BALLOON NUMBER USED: 19	
ADDED BALLOON NUMBERS:	
REMOVED BALLOON NUMBERS:	



C	UPDATE ATTACHED LINE FOR DIM#19
B	- DELETE MARKING 4 - SUPPLIER ACRONYM MCD WAS MXG
A	FIRST RELEASE

UPDATE DIM#19		GENERAL TOLERANCES (UNLESS SPECIFIED)		DIMENSION STYLE		SCALE	DESIGN UNITS	FIRST ANGLE PROJECTION
REV	DESCRIPTION	mm	INCH	MM ONLY	DATE	2:1	METRIC	PROJECTION
1	EC NO: GZ015-0071	4 PLACES	± ---	± ---	DRAWN BY			
2	DRWN:PBOSQUAIN 2014/11/17	3 PLACES	± ---	± ---	G. DESBRUERES	2008/04/22		
3	CHKD:APLESSIS 2014/11/17	2 PLACES	± 0.1	± ---	CHECKED BY			
4	APPR:CBUCHAN 2015/01/07	1 PLACE	± 0.1	± ---	0. PLESSIS	2008/04/22		
5		0 PLACE	± 0.1	± ---	APPROVED BY			
6		ANGULAR ± 2 °			L. STICKEIR	2008/04/23		
7		DRAFT WHERE APPLICABLE MUST REMAIN WITHIN DIMENSIONS			MATERIAL NO.			
8					0643211101			
9					DOCUMENT NO.			
10					SD-64321-002			
11								
12								

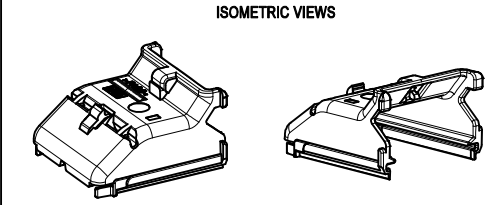
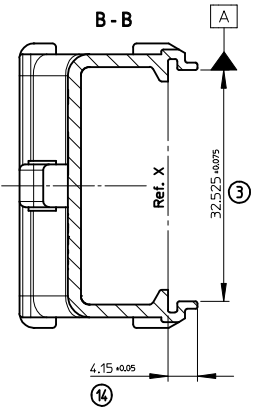
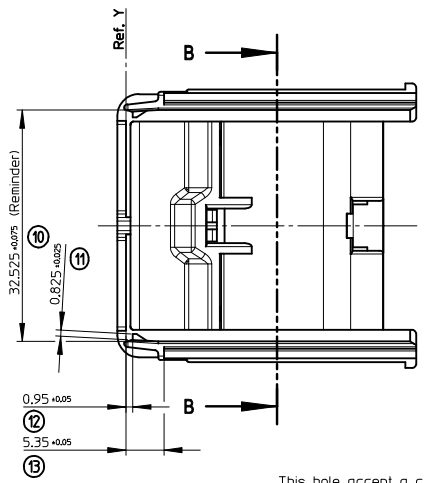
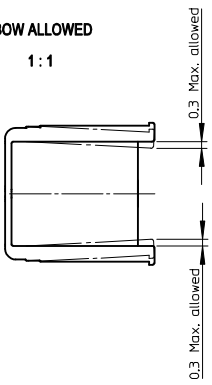
molex

WIRE CAP
CMC 53W

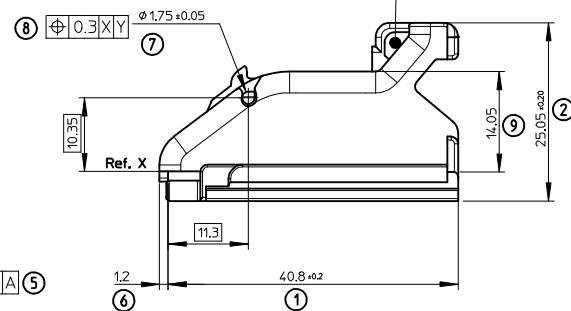
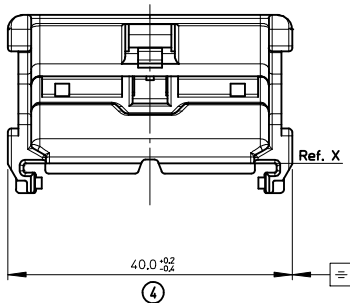
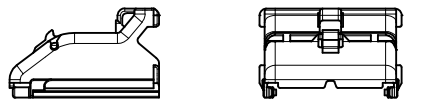
SHEET NO.
1 OF 1

BOW ALLOWED

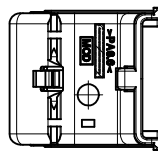
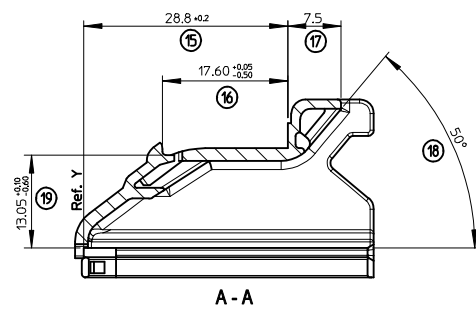
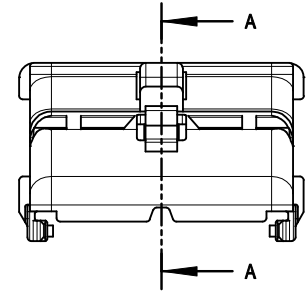
1:1



ISOMETRIC VIEWS



This hole accept a cable-tie with a maximum section: 3.2 x 1.2mm

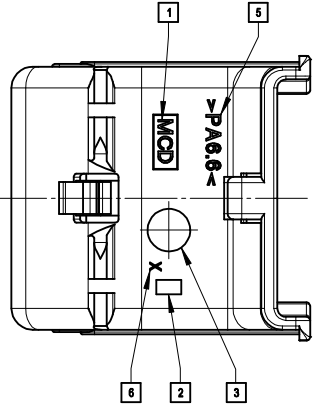


1:1

- MARKINGS:**
- 1 - Supplier Acronym: MCD
 - 2 - Revision Level
 - 3 - Datum Month/Year
 - 5 - Material
 - 8 - Preint Identification N°

- NOTES:**
- 1 -Material: >PA6.6< , Color: Black, Spec.: Heat Stabilized.
 - 2 -Delivered Product Weight: 6.000 g
 - 3 -Related Counterpart: Female Connector CMC 53 Ways.

INSPECTION BALLOON NUMBER LOG	
PER DRAWING REVISION: C	
LAST BALLOON NUMBER USED: 19	
ADDED BALLOON NUMBERS:	
REMOVED BALLOON NUMBERS:	



C	UPDATE ATTACHED LINE FOR DIM#19
B	- DELETE MARKING 4 - SUPPLIER ACRONYM MCD WAS MXG
A	FIRST RELEASE

UPDATE DIM#19 EC NO: GZ015-0071 DRWN:PBOSQUAIN 2014/11/17 CHKD:APLESSIS 2014/11/17 APPR:CBOUCHAN 2015/01/07	DESCRIPTION [REDACTED]	GENERAL TOLERANCES (UNLESS SPECIFIED)		DIMENSION STYLE MM ONLY		SCALE 2:1	DESIGN UNITS METRIC	FIRST ANGLE PROJECTION	
		4 PLACES ± --- ± --- 3 PLACES ± --- ± --- 2 PLACES ± 0.1 ± --- 1 PLACE ± 0.1 ± --- 0 PLACE ± 0.1 ± ---	mm INCH	DRAWN BY G. DESBRUERES	DATE 2008/04/22	TITLE WIRE CAP CMC 53W		MATERIAL NO. 0643211101	
ANGLAR ± 2 ° DRAFT WHERE APPLICABLE MUST REMAIN WITHIN DIMENSIONS		SIZE A2		THIS DRAWING CONTAINS INFORMATION THAT IS PROPRIETARY TO MOLEX INCORPORATED AND SHOULD NOT BE USED WITHOUT WRITTEN PERMISSION					SHEET NO. 1 OF 1