

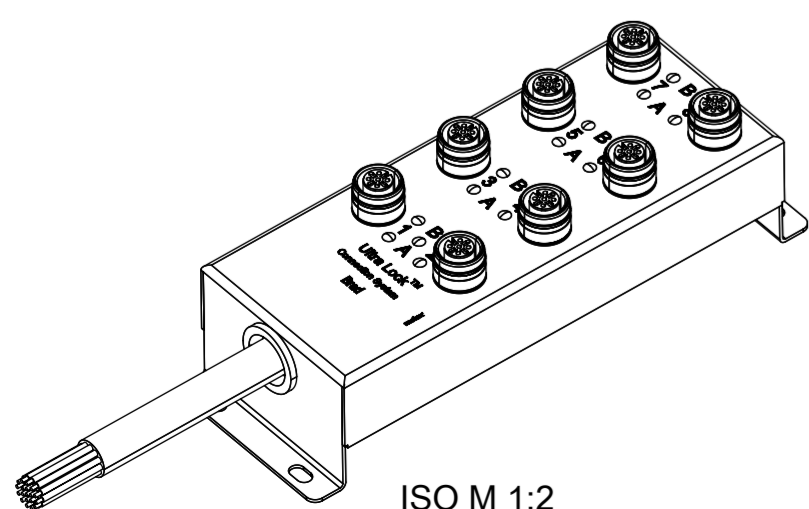
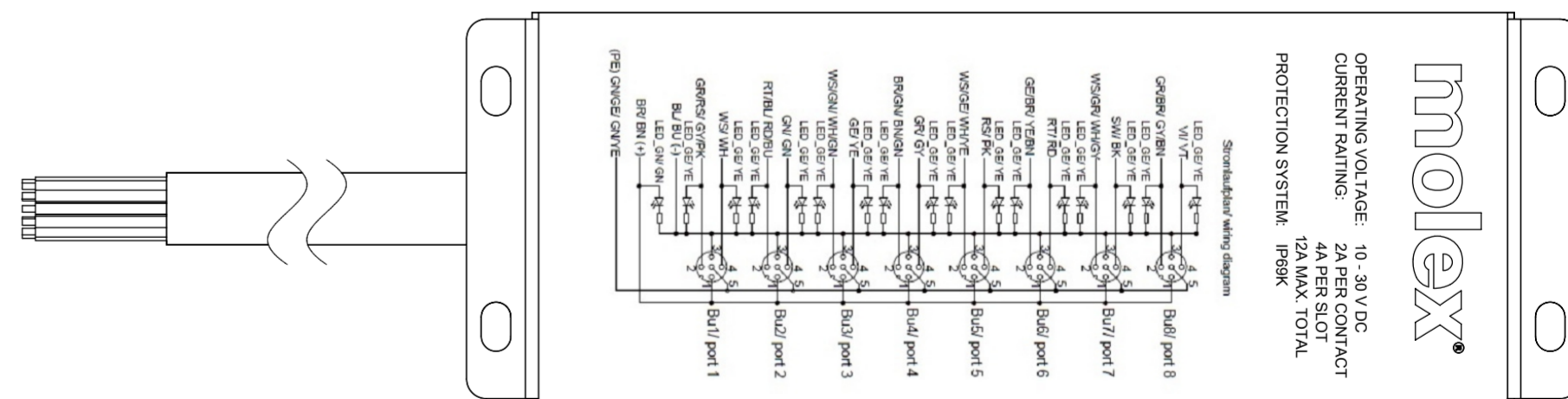
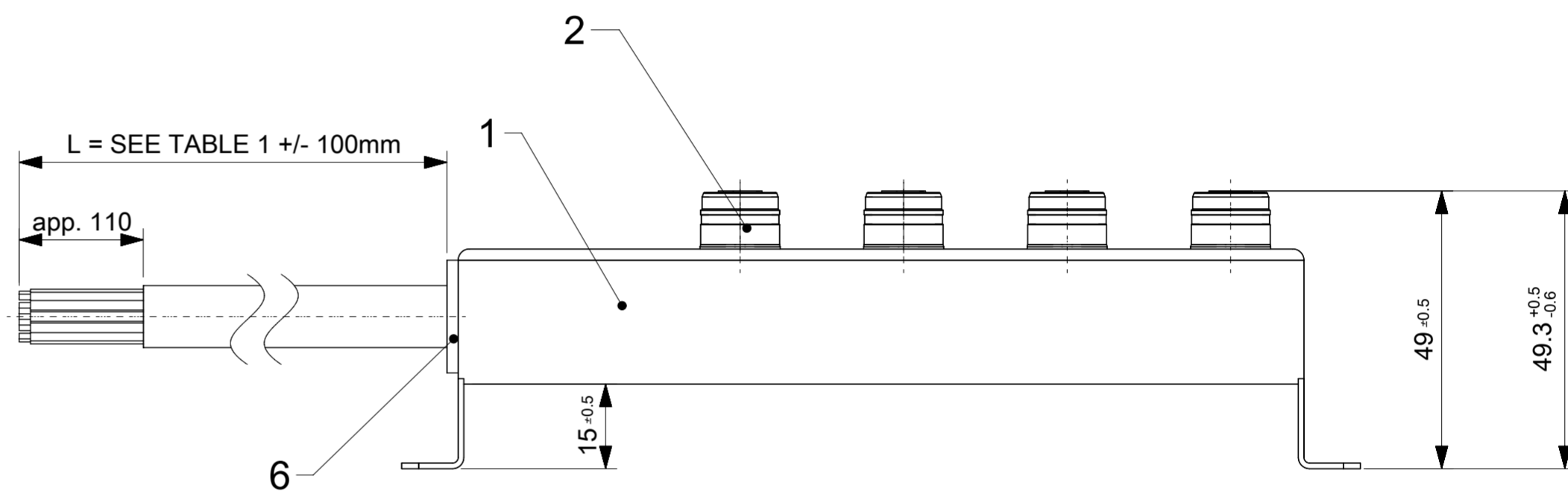
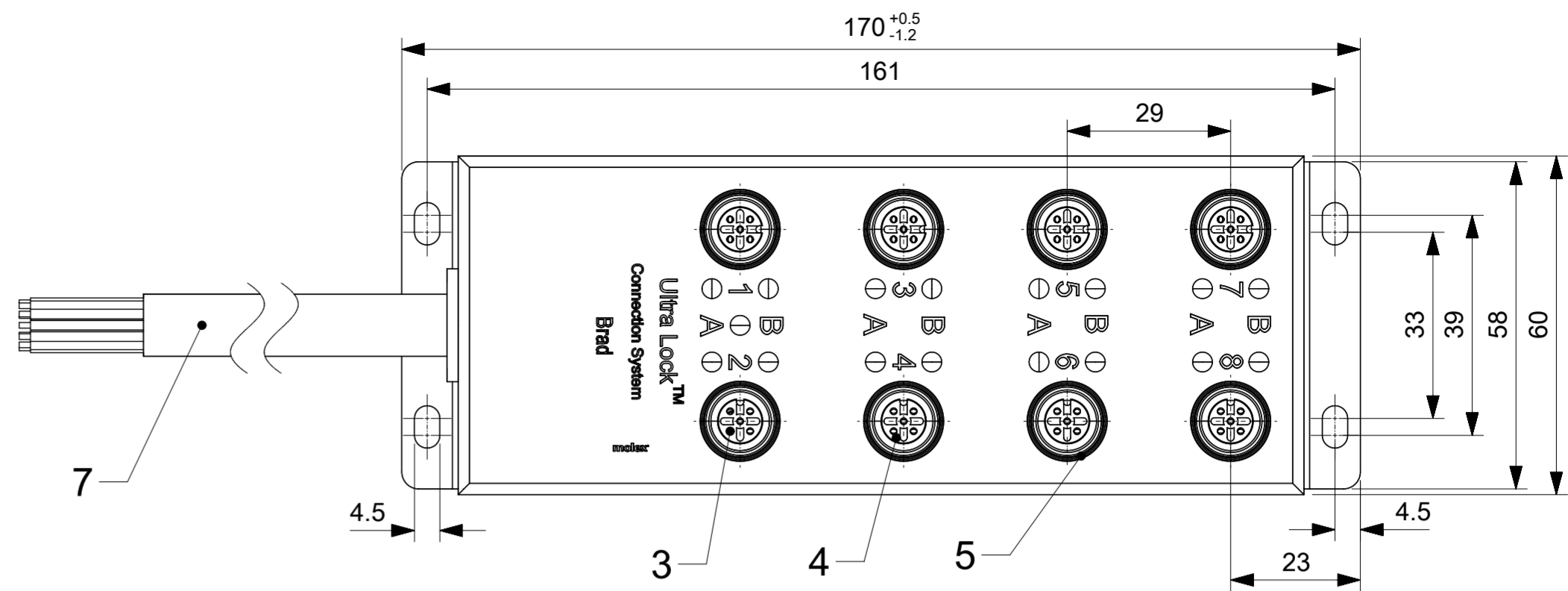
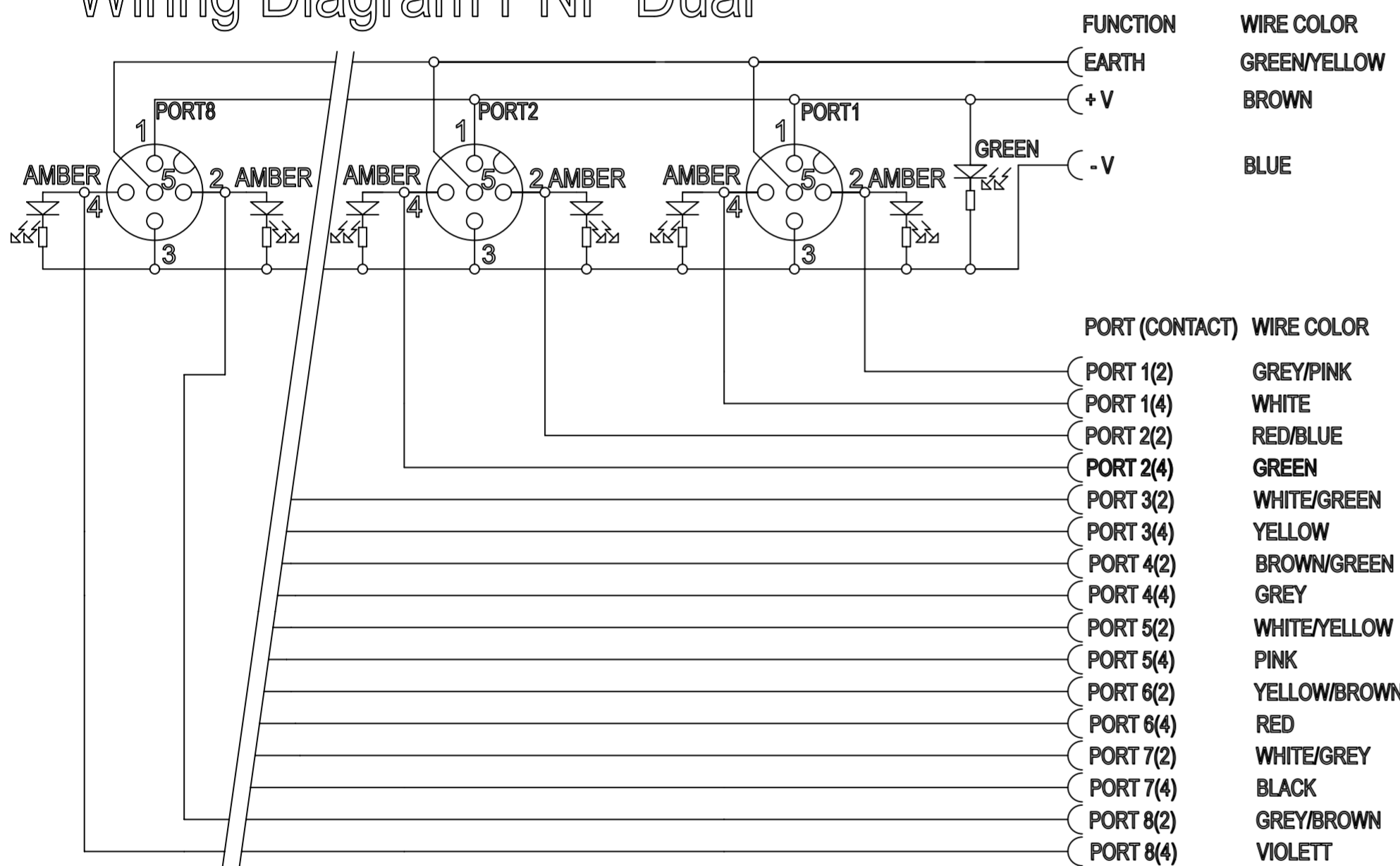
TABLE 1

MOLEX P/N	ENG. NO	CABLE LENGTH "L IN MM"
1201190042	BTS805P-FSE-05	5000
1201190043	BTS805P-FSE-10	10000
1201190046	BTS805P-FSE-15	15000

BILL OF MATERIAL

ITEM	QTY	DESCRIPTION	MATERIAL
7	2	CABLE	PVC
6	1	CABLE SLEEVE	PVC
5	8	O-RING	EPDM
4	8	INSERT	PBT
3	40	CONTACT	BRASS/Au over Ni
2	8	SHELL	STAINLESS STEEL
1	1	HOUSING	STAINLESS STEEL

Wiring Diagram PNP Dual



GENERAL CHARACTERISTICS:

NOMINAL VOLTAGE MAX: 10-30 V DC
 RATED CURRENT MAX: 4 A PER PORT / 12 A MAX. TOTAL
 IP DEGREE OF PROTECTION: IP 69k
 TEMPRATURE RANGE: -5°C TO +80°C

FUNCTIONAL SYMBOLS	THIS DRAWING CONTAINS INFORMATION THAT IS PROPRIETARY TO MOLEX ELECTRONIC TECHNOLOGIES, LLC AND SHOULD NOT BE USED WITHOUT WRITTEN PERMISSION	
FA = 0	DIMENSION UNITS: mm	SCALE: 1:1
FC = 0	CURRENT REV DESC: CORRECT P/N	
FP = 0	GENERAL TOLERANCES (UNLESS SPECIFIED)	
	ANGULAR TOL ± °	EC NO: 634601
	4 PLACES ±	DRWN: RSCHIEBER 2020/03/23
	3 PLACES ±	CHK'D: RSILLER 2020/03/24
	2 PLACES ±	APPR: RSILLER 2020/03/24
	1 PLACE ±	INITIAL REVISION:
	0 PLACES ±	DRWN: ULETTENMEIER 2016/11/30
		APPR: RSILLER 2016/12/02
	DRAFT WHERE APPLICABLE MUST REMAIN WITHIN DIMENSIONS	THIRD ANGLE PROJECTION
		DRAWING: A2-SIZE
		SERIES: 120119
	DOCUMENT NUMBER: 1201190042	CUSTOMER: GENERAL MARKET
	DOC TYPE: PSD	DOC PART: 000
	REVISION: C1	SHEET NUMBER: 1 OF 1