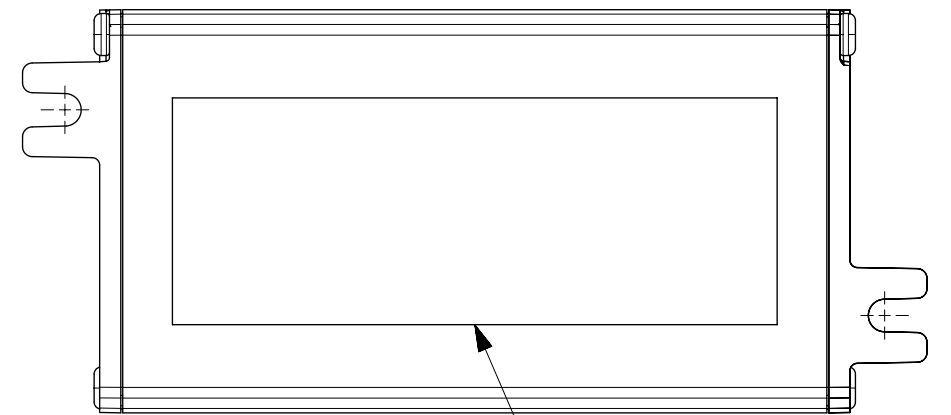
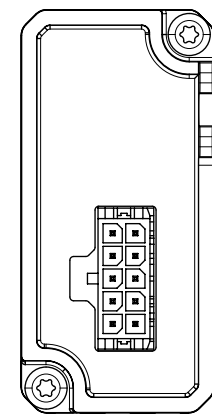
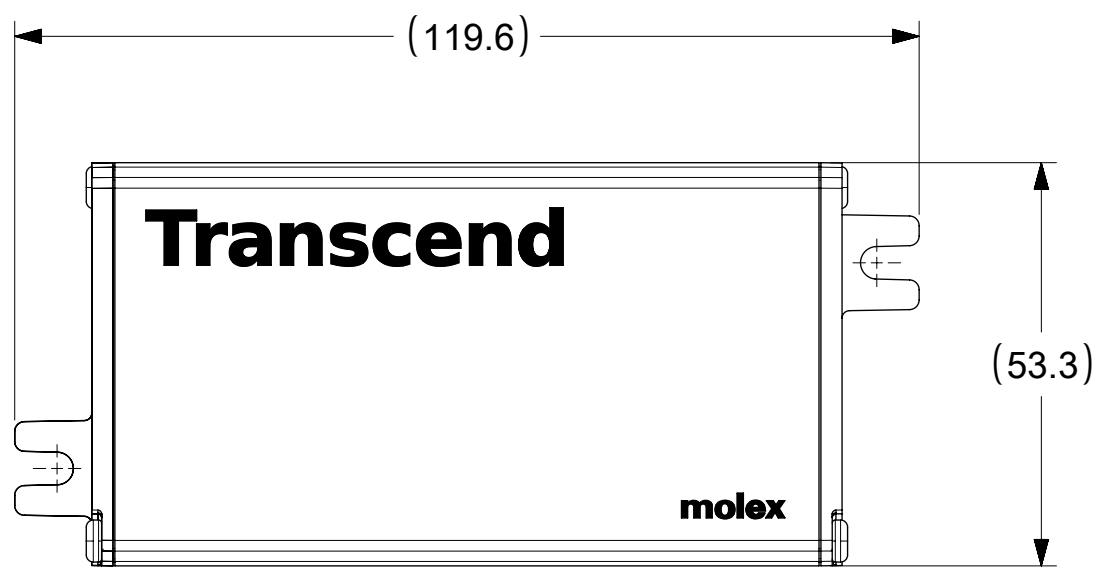
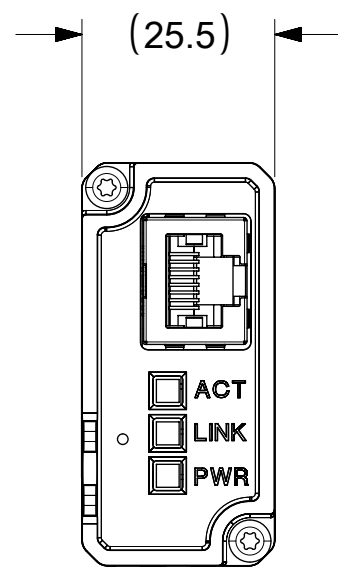


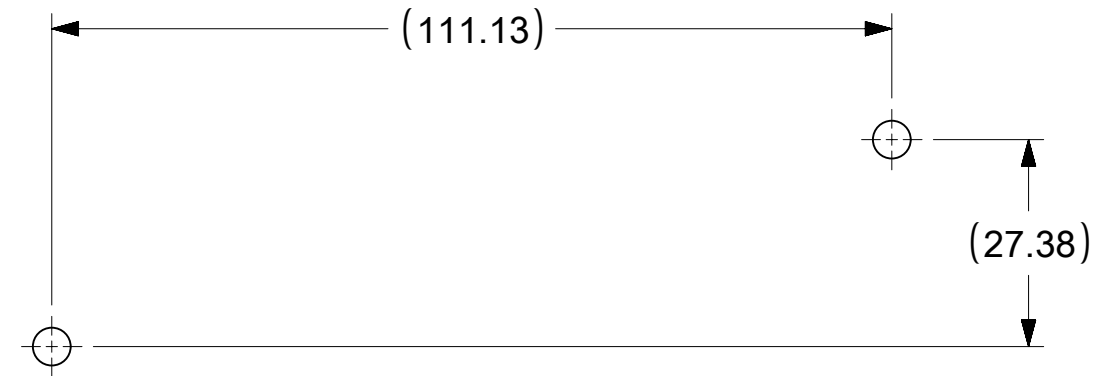
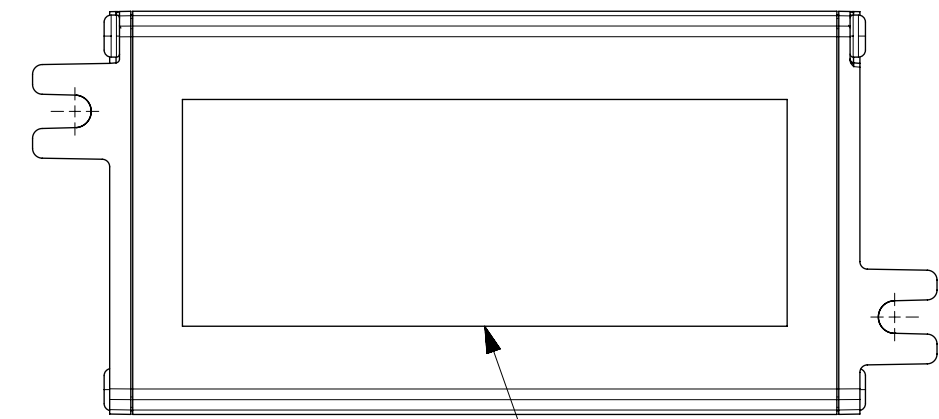
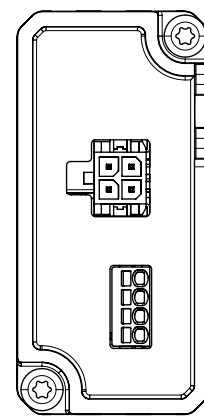
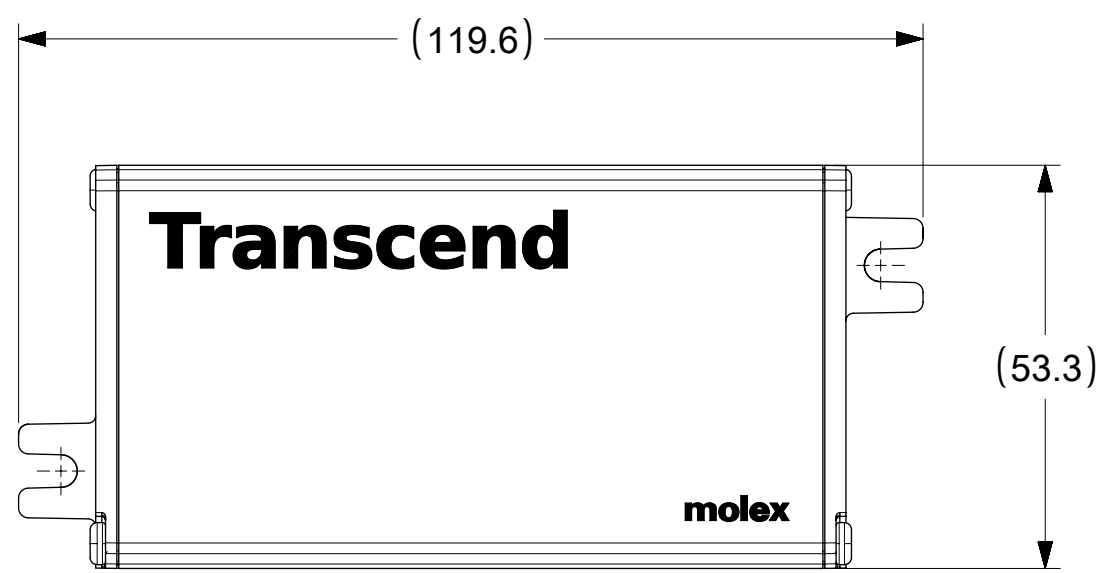
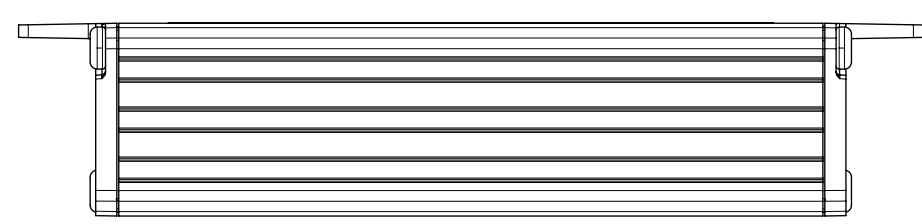
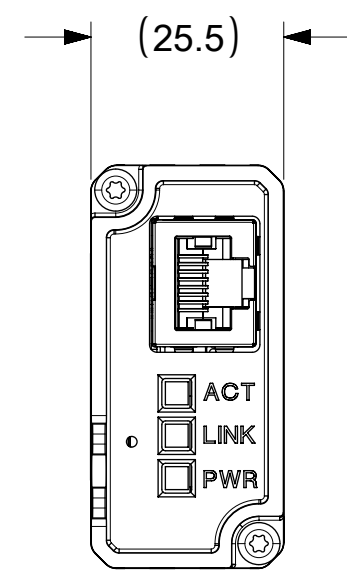
MOUNTING HOLE LOCATION  
HOLES FOR A #8-32 SELF TAPPING SCREW



ETL LABEL

- NOTES:  
 1. HOUSING EXTRUSION  
 MATERIAL: ANODIZED ALUMINUM  
 2. DIE CAST END CAP LEFT & RIGHT  
 MATERIAL: ALUMINUM, A380  
 FINISH: a. TEXTURED POWDER COAT, BLACK  
 b. GREY WET PAINT

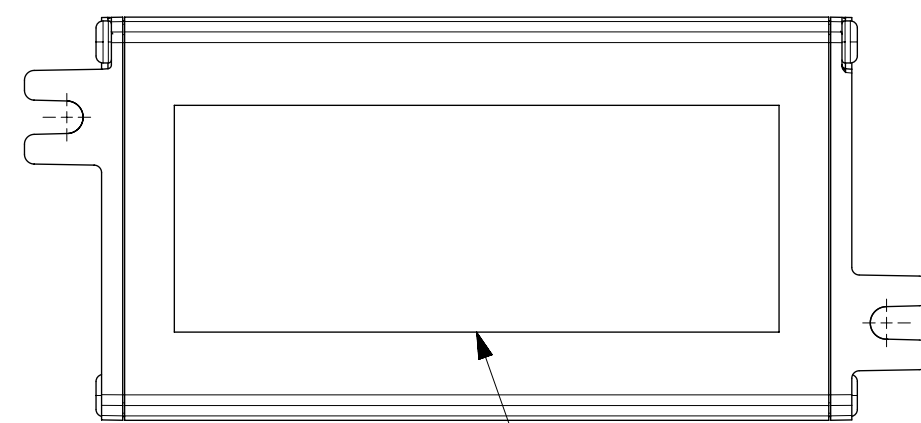
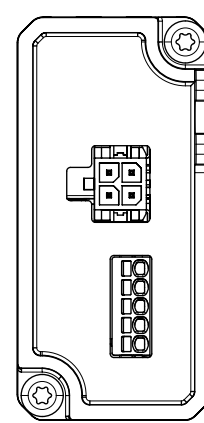
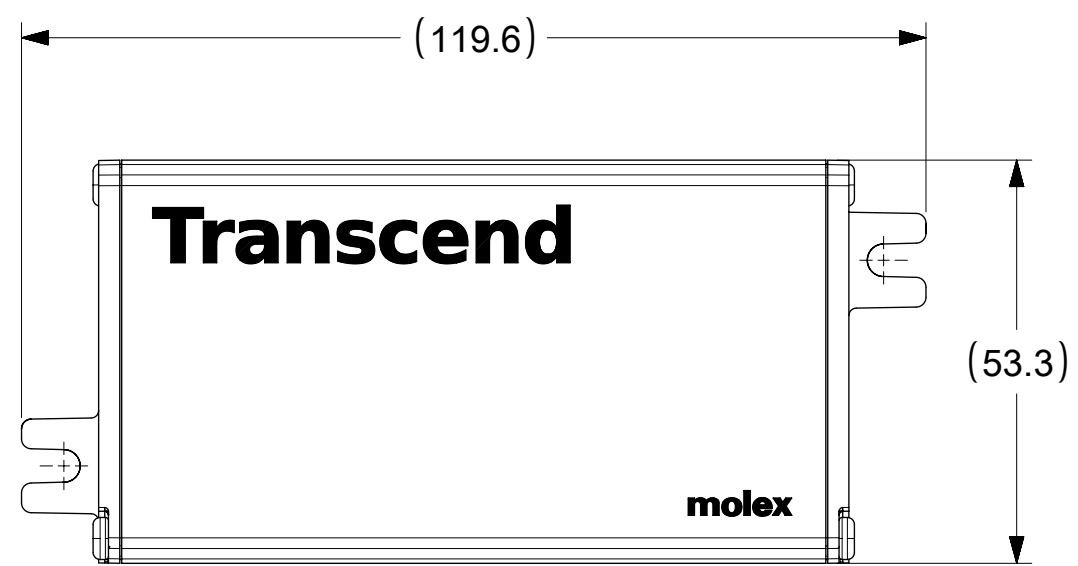
THIS DRAWING CONTAINS INFORMATION THAT IS PROPRIETARY TO MOLEX ELECTRONIC TECHNOLOGIES, LLC AND SHOULD NOT BE USED WITHOUT WRITTEN PERMISSION												
SYMBOLS	DIMENSION UNITS	SCALE	CURRENT REV DESC:			molex						
▽ = 0	mm	1:1	EC NO: 602526 DRWN: GALLEN02 2017/12/12 CHK'D: MDEVITO 2018/10/02 APPR: JAGRO 2018/10/03			POE GATEWAYS STAND ALONE ASSY						
▽ = 0	GENERAL TOLERANCES (UNLESS SPECIFIED)									INITIAL REVISION:		
▽ = 0	ANGULAR TOL ± °					DRWN: GALLEN02 2017/12/12			1809930001	PSD	000	A
▽ = 0	4 PLACES ±		APPR: JAGRO 2018/10/03			MATERIAL NUMBER	CUSTOMER		SHEET NUMBER			
▽ = 0	3 PLACES ±		DRWN: GALLEN02 2017/12/12			1809930001	GENERAL MARKET		1 OF 4			
▽ = 0	2 PLACES ± 0.25		APPR: JAGRO 2018/10/03			C-SIZE	180993					
▽ = 0	1 PLACE ± 0.5		DRAFT WHERE APPLICABLE MUST REMAIN WITHIN DIMENSIONS			THIRD ANGLE PROJECTION	DRAWING	SERIES				
▽ = 0	0 PLACES ±		THIRD ANGLE PROJECTION			DRAWING	SERIES					
▽ = 0			THIRD ANGLE PROJECTION			DRAWING	SERIES					



MOUNTING HOLE LOCATION  
HOLES FOR A #8-32 SELF TAPPING SCREW

ETL LABEL

180993-2011, -2012, -2021, -2022



ETL LABEL

180993-2041, -2042

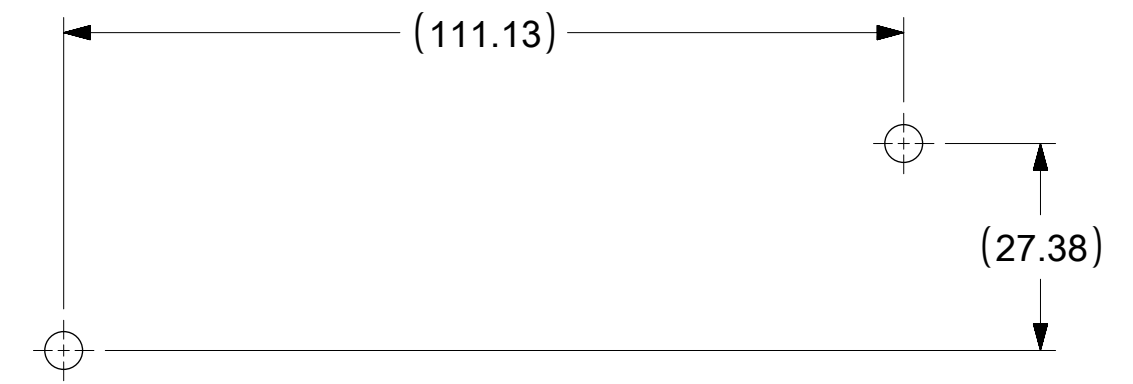
- NOTES:  
 1. HOUSING EXTRUSION  
 MATERIAL: ANODIZED ALUMINUM  
 2. DIE CAST END CAP LEFT & RIGHT  
 MATERIAL: ALUMINUM, A380  
 FINISH: a. TEXTURED POWDER COAT, BLACK  
 b. GREY WET PAINT

THIS DRAWING CONTAINS INFORMATION THAT IS PROPRIETARY TO MOLEX ELECTRONIC TECHNOLOGIES, LLC AND SHOULD NOT BE USED WITHOUT WRITTEN PERMISSION										
SYMBOLS		DIMENSION UNITS	SCALE	CURRENT REV DESC:						
▽ = 0	mm	1:1	EC NO: 602526			PRODUCT CUSTOMER DRAWING DOCUMENT NUMBER: 1809930001 DOC TYPE: PSD DOC PART: 000 REVISION: A				
▽ = 0	GENERAL TOLERANCES (UNLESS SPECIFIED)		DRWN: GALLEN02 2017/12/12							
▽ = 0	ANGULAR TOL ± °		CHK'D: MDEVITO 2018/10/02			MATERIAL NUMBER: GENERAL MARKET CUSTOMER: GENERAL MARKET SHEET NUMBER: 2 OF 4				
▽ = 0	4 PLACES ±		APPR: JAGRO 2018/10/03							
▽ = 0	3 PLACES ±		INITIAL REVISION:			DRWN: GALLEN02 2017/12/12 APPR: JAGRO 2018/10/03				
▽ = 0	2 PLACES ± 0.25		DRWN: GALLEN02 2017/12/12							
▽ = 0	1 PLACE ± 0.5		APPR: JAGRO 2018/10/03			DRAFT WHERE APPLICABLE MUST REMAIN WITHIN DIMENSIONS				
▽ = 0	0 PLACES ±		THIRD ANGLE PROJECTION							
▽ = 0	DRAFT WHERE APPLICABLE MUST REMAIN WITHIN DIMENSIONS		DRAWING		SERIES		C-SIZE 180993			

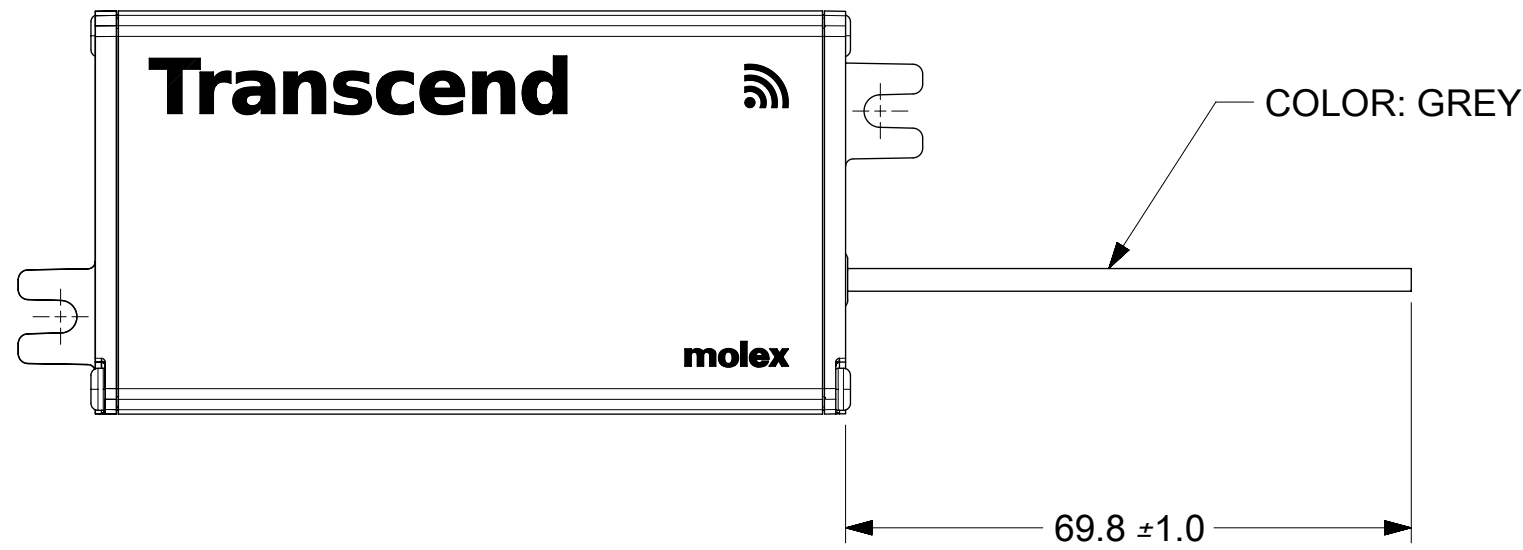
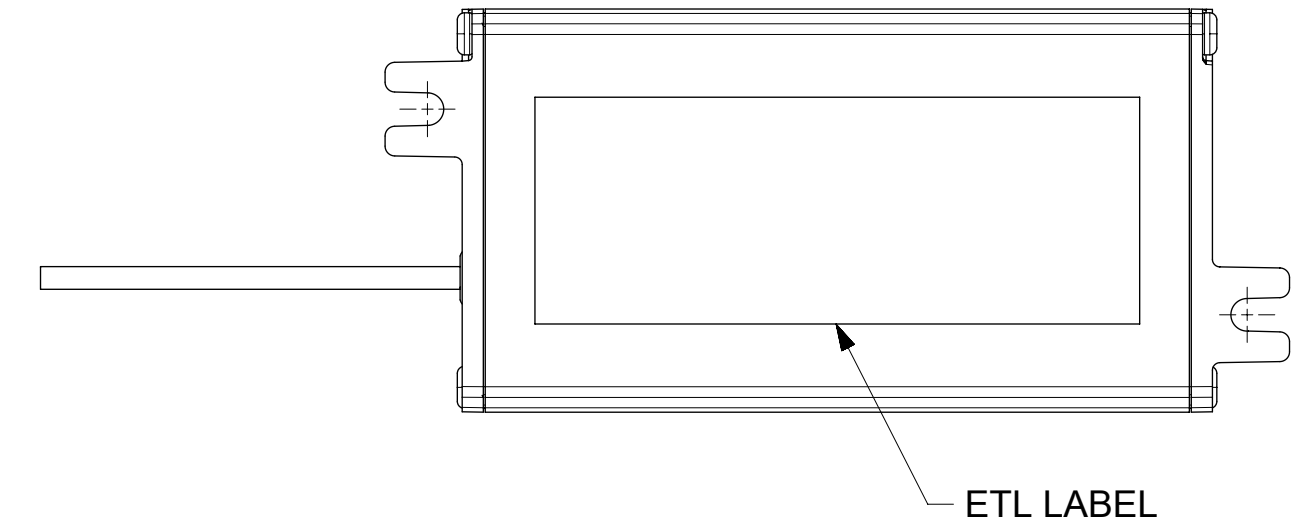
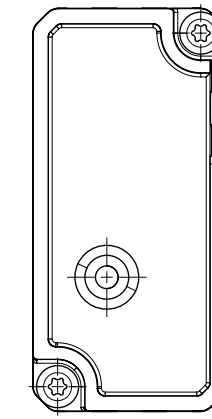
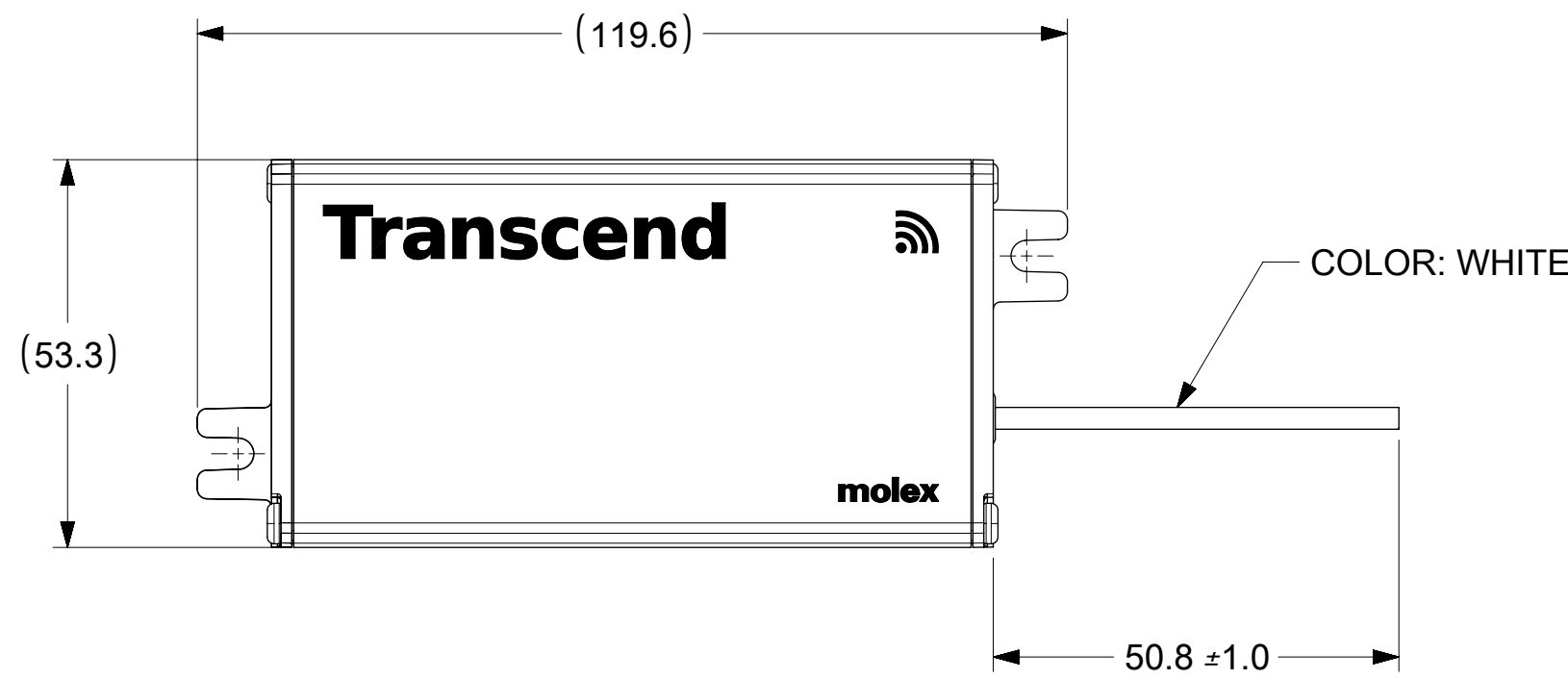
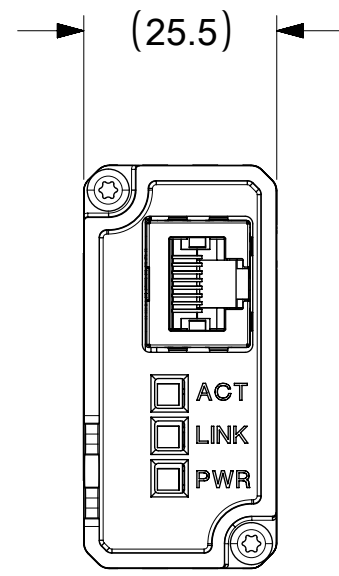
DOCUMENT STATUS	P1	RELEASE DATE	2018/10/03	14:00:48
-----------------	----	--------------	------------	----------



180993-3001



MOUNTING HOLE LOCATION  
HOLES FOR A #8-32 SELF TAPPING SCREW



180993-3002

- NOTES:
- HOUSING EXTRUSION  
MATERIAL: ANODIZED ALUMINUM
  - DIE CAST END CAP LEFT & RIGHT  
MATERIAL: ALUMINUM, A380  
FINISH: a. TEXTURED POWDER COAT, BLACK  
b. GREY WET PAINT

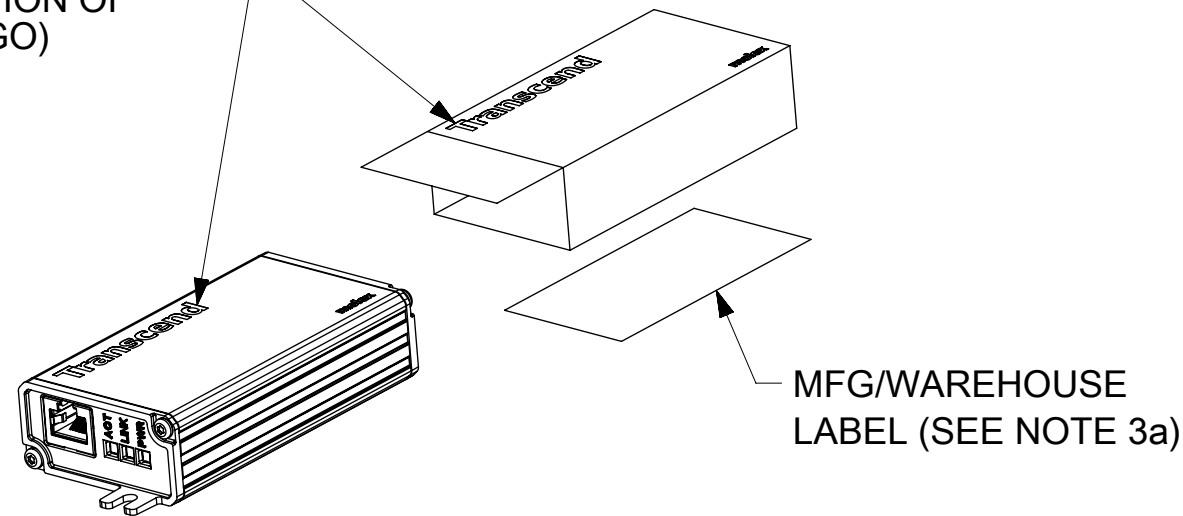
SYMBOLS		THIS DRAWING CONTAINS INFORMATION THAT IS PROPRIETARY TO MOLEX ELECTRONIC TECHNOLOGIES, LLC AND SHOULD NOT BE USED WITHOUT WRITTEN PERMISSION	
DIMENSION UNITS	SCALE	CURRENT REV DESC:	
= 0	mm	1:1	EC NO: 602526 DRWN: GALLEN02 2017/12/12 CHK'D: MDEVITO 2018/10/02 APPR: JAGRO 2018/10/03
= 0	GENERAL TOLERANCES (UNLESS SPECIFIED)		
= 0	ANGULAR TOL ± °		INITIAL REVISION: DRWN: GALLEN02 2017/12/12 APPR: JAGRO 2018/10/03
= 0	4 PLACES ±		
= 0	3 PLACES ±		DOCUMENT NUMBER: 1809930001 DOC TYPE: PSD DOC PART: 000 REVISION: A
= 0	2 PLACES ± 0.25		
= 0	1 PLACE ± 0.5		MATERIAL NUMBER: 180993 CUSTOMER: GENERAL MARKET SHEET NUMBER: 3 OF 4
= 0	0 PLACES ±		
= 0	DRAFT WHERE APPLICABLE MUST REMAIN WITHIN DIMENSIONS		THIRD ANGLE PROJECTION 
= 0	DRAWING SERIES: C-SIZE 180993		

**molex**

POE GATEWAYS  
STAND ALONE ASSY

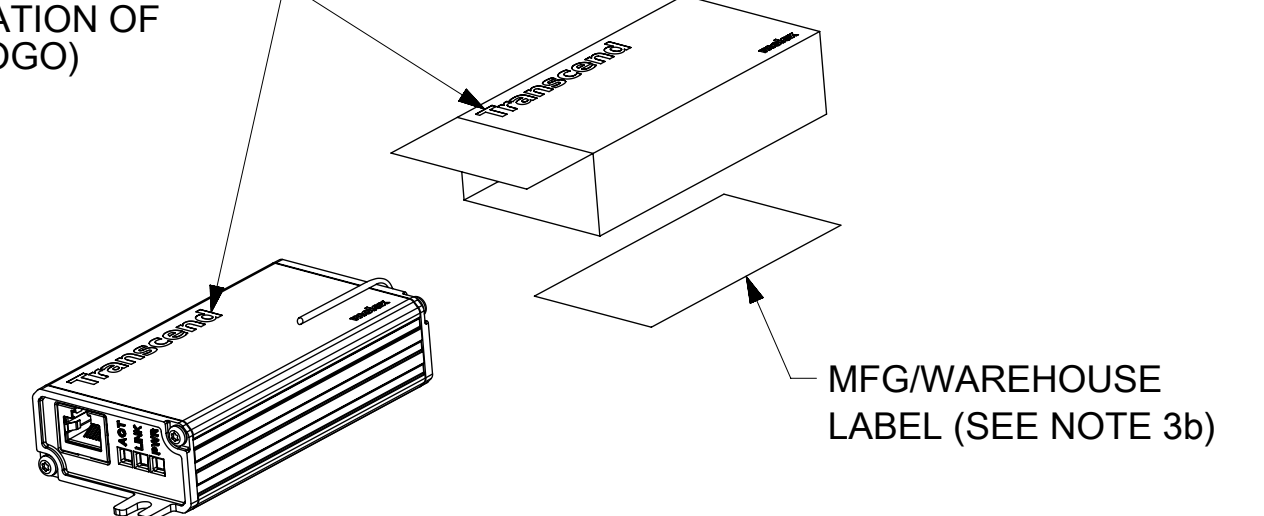
PRODUCT CUSTOMER DRAWING

INSERT GATEWAY INTO BOX  
(NOTE ORIENTATION OF  
TRANSCEND LOGO)

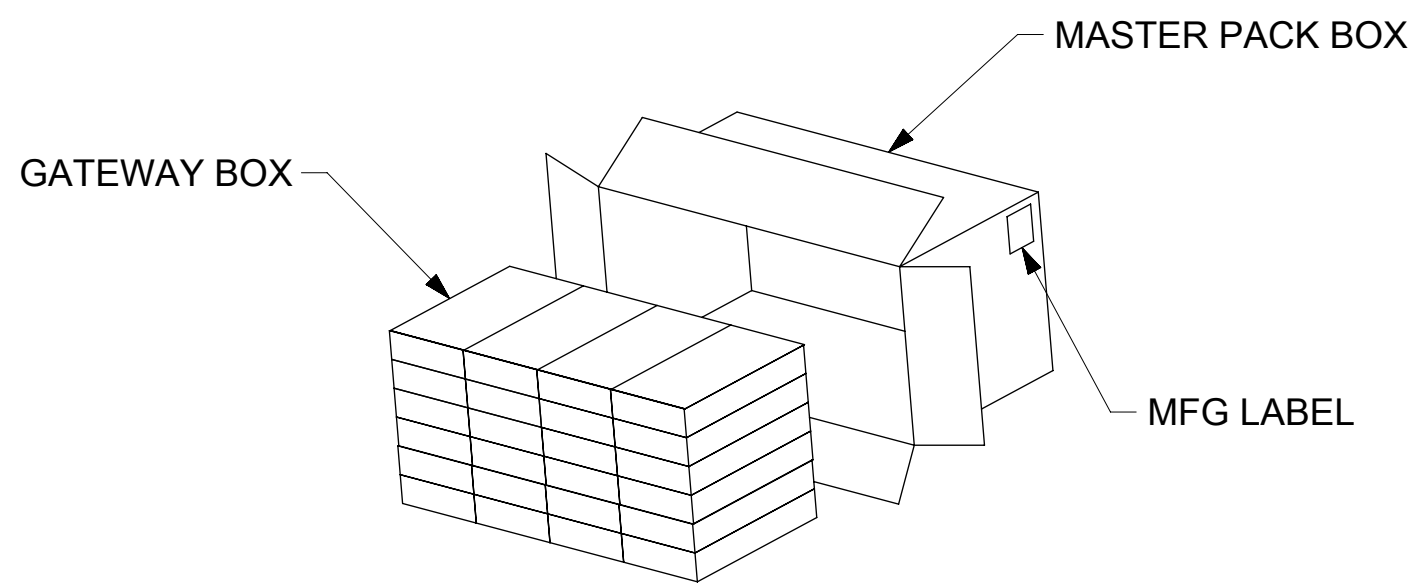


180993-0001, -2011, -2012, -2021, -2022,  
-2041, -2042

INSERT GATEWAY INTO BOX  
(NOTE ORIENTATION OF  
TRANSCEND LOGO)



180993-3001, 180993-3002



**NOTES:**

1. PLACE GATEWAY ASSEMBLY INTO BOX AS SHOWN.
2. PLACE 24 GATEWAY BOXES INTO MASTERPACK.
3. INSTRUCTION SHEETS CAN BE FOUND AT DIRECTORIES BELOW:

- a. [http://www.literature.molex.com/SQLImages/kelmscott/Molex/PDF\\_Images/987651-5631.pdf](http://www.literature.molex.com/SQLImages/kelmscott/Molex/PDF_Images/987651-5631.pdf)
- b. [http://www.literature.molex.com/SQLImages/kelmscott/Molex/PDF\\_Images/987651-6392.pdf](http://www.literature.molex.com/SQLImages/kelmscott/Molex/PDF_Images/987651-6392.pdf)

THIS DRAWING CONTAINS INFORMATION THAT IS PROPRIETARY TO MOLEX ELECTRONIC TECHNOLOGIES, LLC AND SHOULD NOT BE USED WITHOUT WRITTEN PERMISSION												
SYMBOLS	DIMENSION UNITS	SCALE	CURRENT REV DESC:			<b>molex</b>						
▽ = 0	mm	1:1	EC NO: 602526 DRWN: GALLEN02 2017/12/12 CHK'D: MDEVITO 2018/10/02 APPR: JAGRO 2018/10/03			POE GATEWAYS STAND ALONE ASSY						
▽ = 0	GENERAL TOLERANCES (UNLESS SPECIFIED)									INITIAL REVISION: DRWN: GALLEN02 2017/12/12 APPR: JAGRO 2018/10/03		
▽ = 0	ANGULAR TOL ± °					DOCUMENT NUMBER			DOC TYPE			
▽ = 0	4 PLACES ±		1809930001			PSD	000	A				
▽ = 0	3 PLACES ±		MATERIAL NUMBER			CUSTOMER		SHEET NUMBER				
▽ = 0	2 PLACES ± 0.25		GENERAL MARKET			180993		4 OF 4				
▽ = 0	1 PLACE ± 0.5		THIRD ANGLE PROJECTION		DRAWING	SERIES						
▽ = 0	0 PLACES ±		C-SIZE		180993							
▽ = 0	DRAFT WHERE APPLICABLE MUST REMAIN WITHIN DIMENSIONS		THIRD ANGLE PROJECTION		C-SIZE		180993					

DOCUMENT STATUS	P1	RELEASE DATE	2018/10/03	14:00:48
-----------------	----	--------------	------------	----------