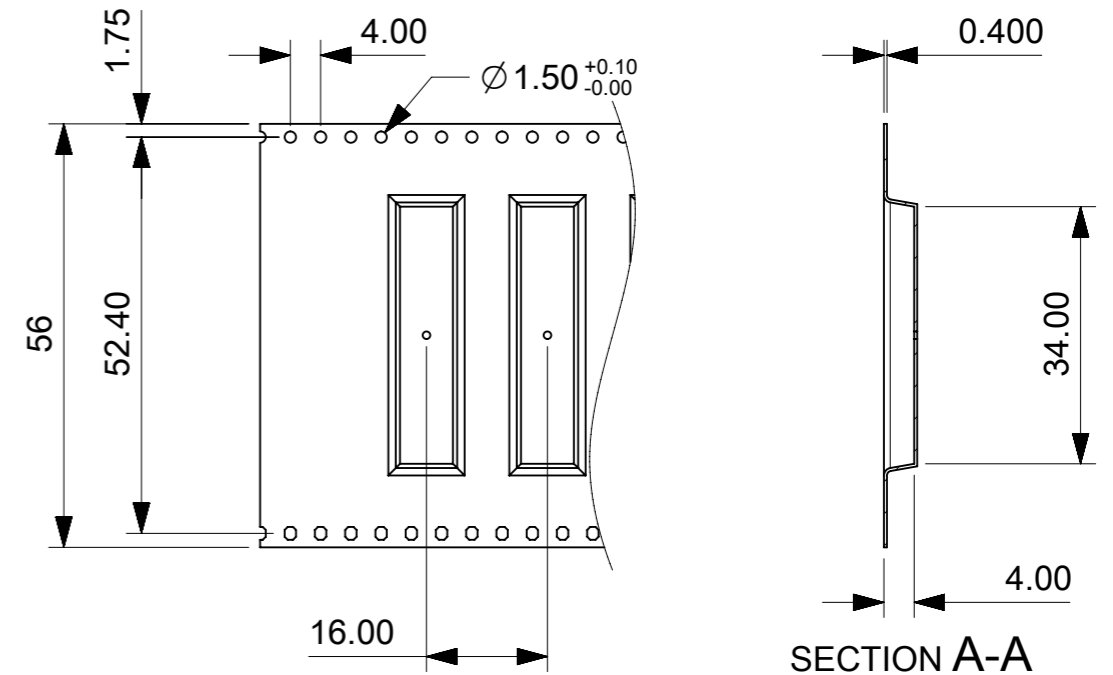
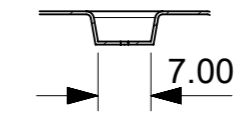


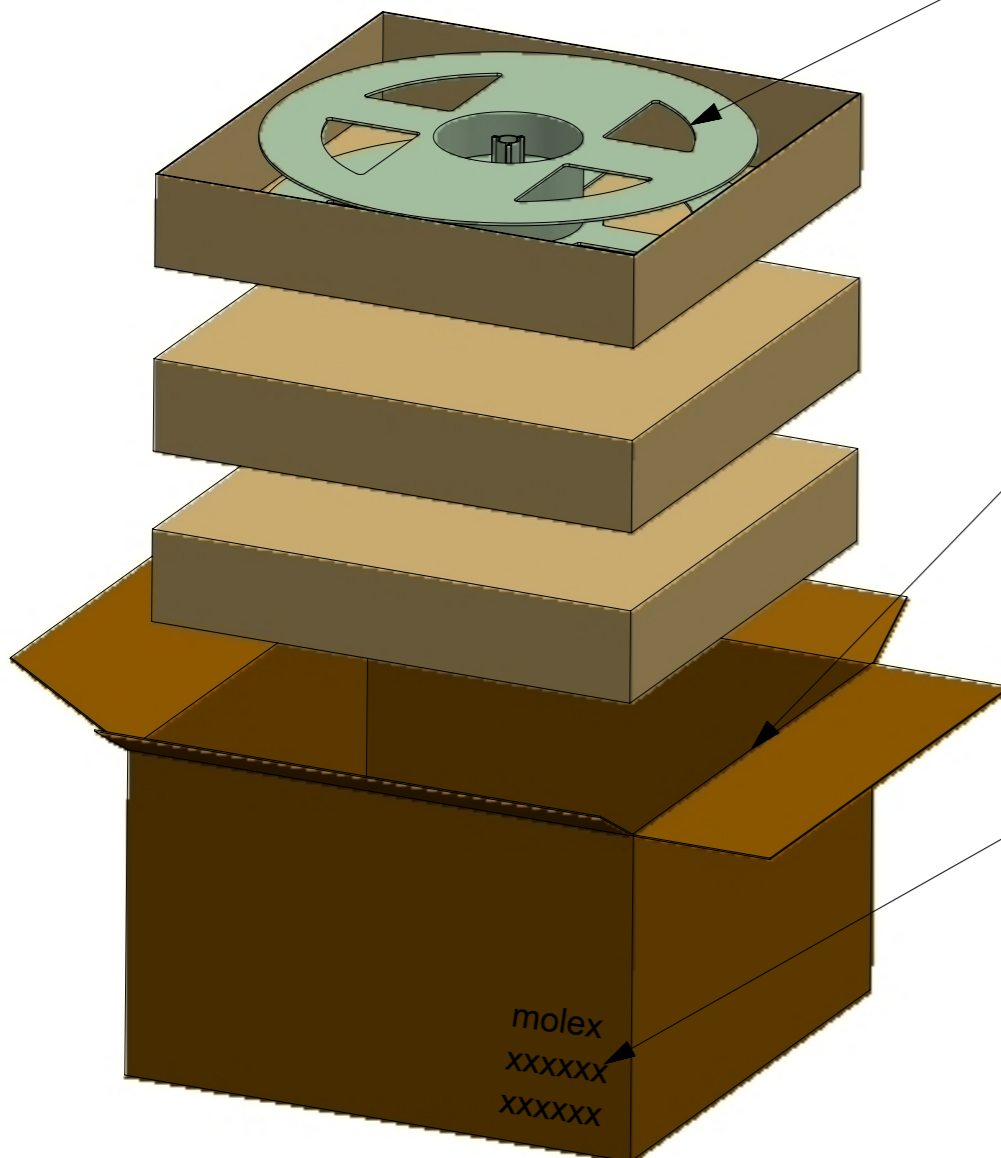
1000PCS PER REEL  
WRAPPED BY VACUUM PACKAGING BAG  
REEL SIZE:  $\varnothing$ 330x58mm



SECTION A-A



SECTION B-B



1 REEL PER INSIDE BOX  
INSIDE BOX SIZE: 350x350x65mm

4 INSIDE BOXES PER SHIPPING CARTON  
SHIPPING CARTON SIZE: 370x370x230mm

MOLEX LABEL

P/N	QTY/REEL	REELS/OUT BOX	SPQ
2047740001	600PCS	3REELS	1800PCS

THIS DRAWING CONTAINS INFORMATION THAT IS PROPRIETARY TO MOLEX ELECTRONIC TECHNOLOGIES, LLC AND SHOULD NOT BE USED WITHOUT WRITTEN PERMISSION			
EC NO: 120036 DRWN: CXU11 CHK'D: YPXING APPR: XJSONG	2017/07/28	2017/08/17	2017/08/17
	GENERAL TOLERANCES (UNLESS SPECIFIED)		DIMENSION UNITS
	ANGULAR TOL $\pm 1.0^\circ$		SCALE
	4 PLACES $\pm$		MM
3 PLACES $\pm 0.05$		DRWN BY	DATE
2 PLACES $\pm 0.1$		CXU11	2017/07/28
1 PLACE $\pm 0.2$		CHK'D BY	DATE
0 PLACES $\pm 0.3$		YPXING	2017/08/17
DRAFT WHERE APPLICABLE MUST REMAIN WITHIN DIMENSIONS		APPR BY	DATE
A		XJSONG	2017/08/17
A3		DRAWING SIZE	THIRD ANGLE PROJECTION
A			
CELLULAR 790-2700MHZ CERAMIC ANTENNA			
PACKAGING DESIGN DRAWING			
SERIES	MATERIAL NUMBER	CUSTOMER	
204774	2047740001		
DOCUMENT NUMBER	DOC TYPE	DOC PART	SHEET NUMBER
2047740001	PDD	PK	1 OF 1