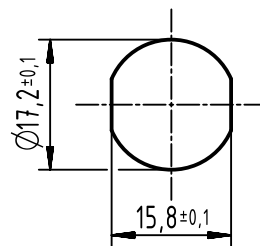
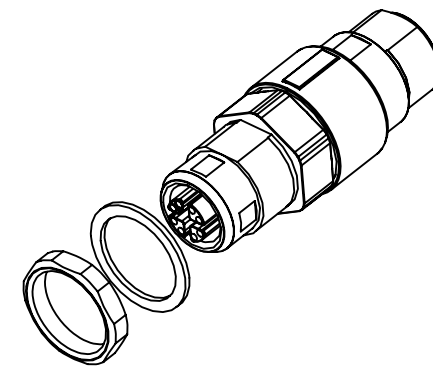
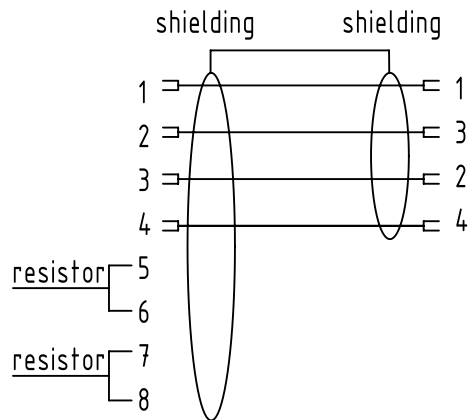



Panel cut out  
(1:1)



schematic diagram



	All rights reserved Department EL PD	All Dimensions in mm Original Size DIN A4		Scale 2:1	Free size tol.	Ref. Sub.
		Created by DYCKC	Inspected by GRUBES	Standardisation HOFFMANN	Date 2019-03-01	State Final Release
HARTING Electronics GmbH D-32339 Espelkamp		Title M12 D Coded female - X Coded female gender changer			Doc-Key / ECM-Nr. 100588206/UGD/011/E 500000147175	
		Type TB	Number 21033816402		Rev. E	Page 1/1