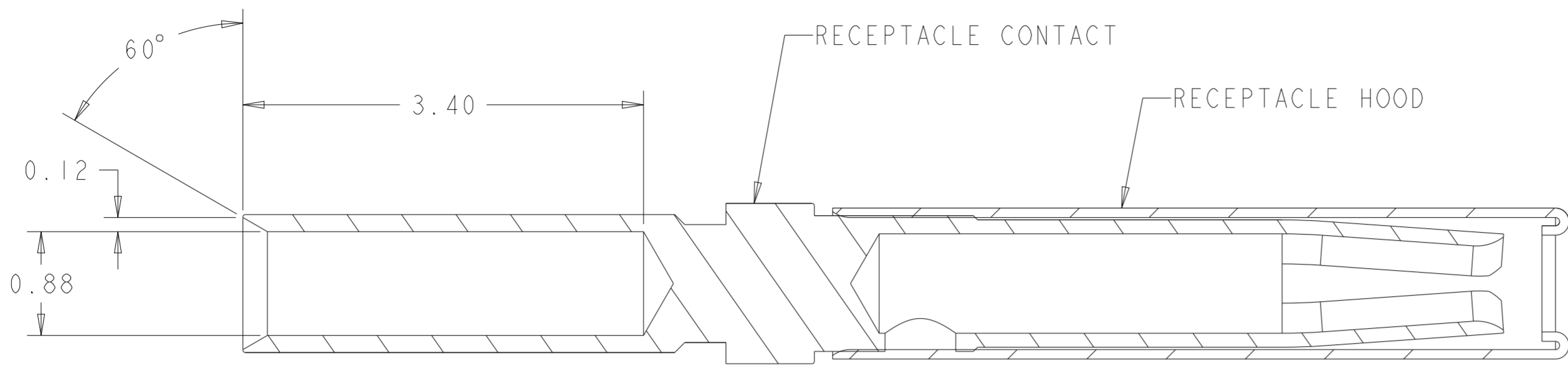
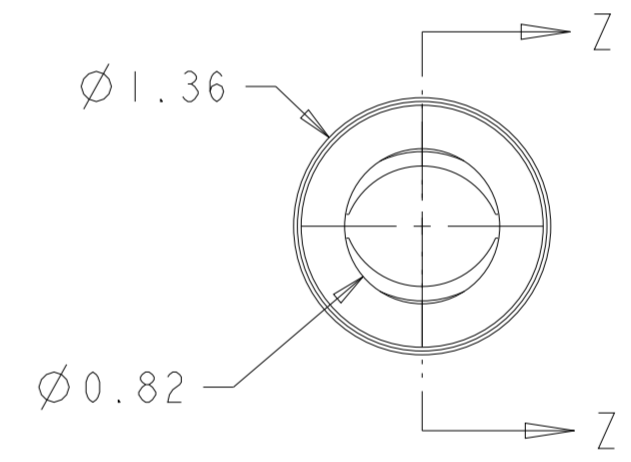
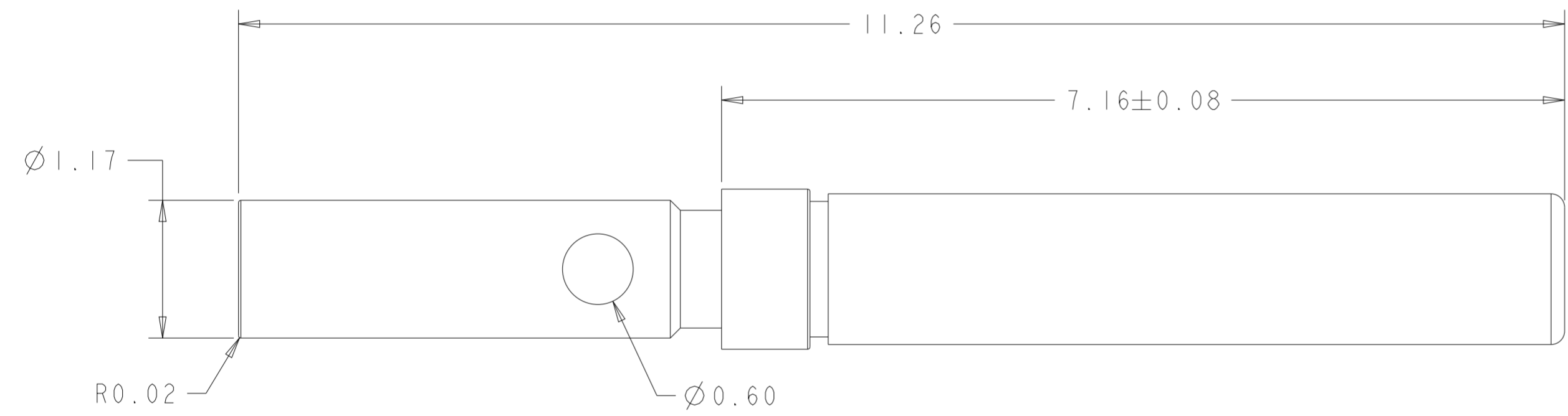


THIS DRAWING IS UNPUBLISHED. RELEASED FOR PUBLICATION 20
 © COPYRIGHT 20 BY - ALL RIGHTS RESERVED.

REVISIONS				
P	LTR	DESCRIPTION	DATE	APVD
B		REV PER ECO 21-003874	3-24-21	CT DM



SECTION Z-Z



- ① MATERIAL;
RECEPTACLE CONTACT: COPPER ALLOY.
RECEPTACLE HOOD: STAINLESS STEEL.
- ② FINISH;
RECEPTACLE CONTACT: 1.27µm GOLD PER ASTM B488 TYPE II CODE C CLASS 1.25
OVER 1.27-2.54µm NICKEL PER QQ-N-290 CLASS 2.
RECEPTACLE HOOD: PASSIVATED PER AMS-QQ-P-35.

2226923-1
PART NO

THIS DRAWING IS A CONTROLLED DOCUMENT.		DWN L SIPE 04FEB2014	TE Connectivity	
DIMENSIONS: mm		CHK C YI 14FEB2014		
		APVD C YI 14FEB2014	NAME HOODED SOCKET CONTACT SIZE 23 NETT WARRIOR	
TOLERANCES UNLESS OTHERWISE SPECIFIED: 0 PLC ± 1 PLC ± 2 PLC ±0.05 3 PLC ± 4 PLC ± ANGLES ± FINISH		PRODUCT SPEC -	APPLICATION SPEC -	RESTRICTED TO -
MATERIAL ①	②	WEIGHT -	SIZE A2	CAGE CODE -
CUSTOMER DRAWING		SCALE 25:1	SHEET 1	REV B