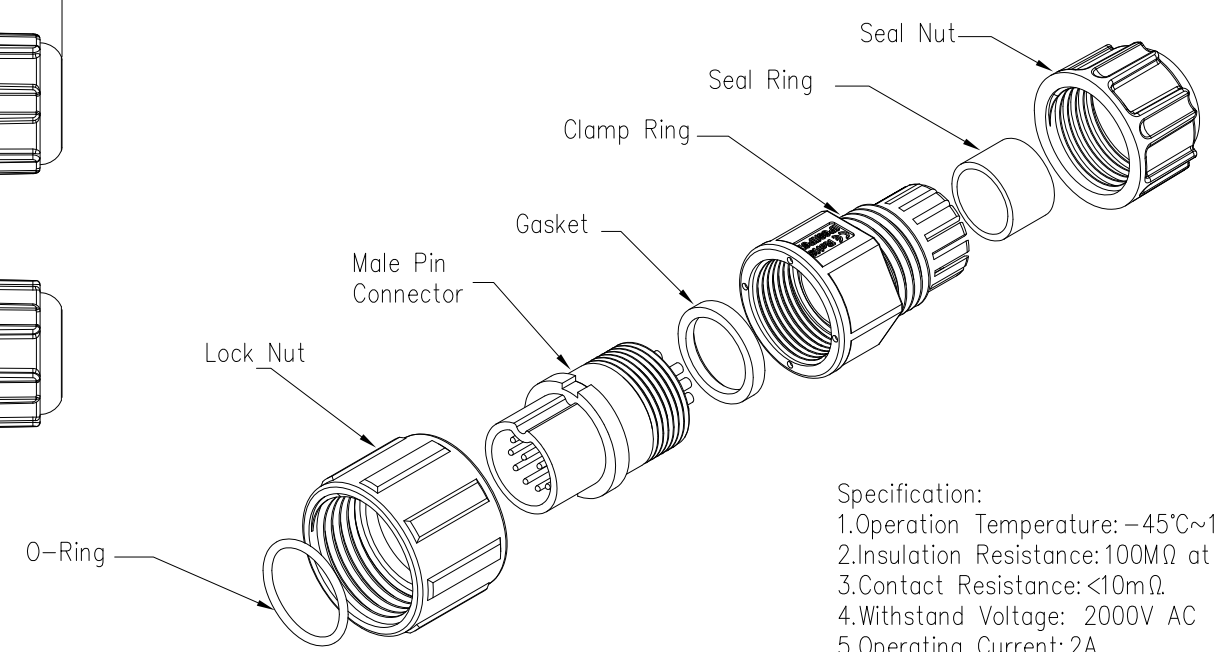
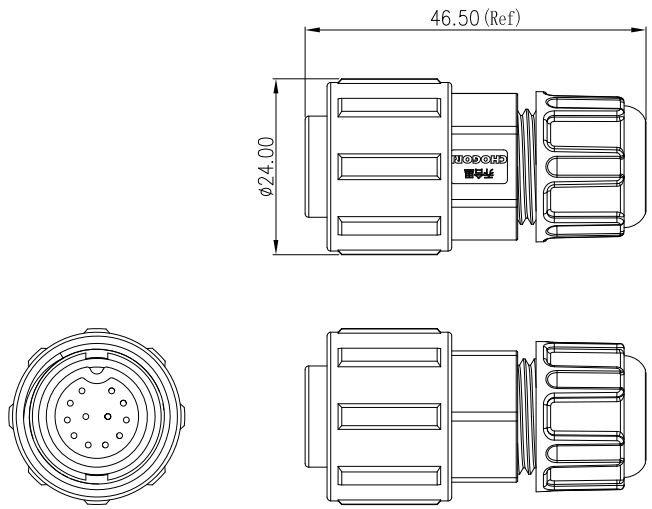


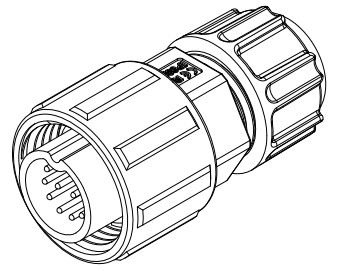
REV.	ECN NO.	DESCRIPTION	SIGN	DATE
C1	N/A	INITIAL DRAWING	Hary	2020/05/04



23XXX111-XX Cable Range OD  
 01 OD:  $\phi 3.5\text{mm} \sim \phi 6.5\text{mm}$   
 02 OD:  $\phi 6.5\text{mm} \sim \phi 9.5\text{mm}$   
 Pin Number

- Specification:
- 1.Operation Temperature:  $-45^{\circ}\text{C} \sim 105^{\circ}\text{C}$ .
  - 2.Insulation Resistance:  $100\text{M}\Omega$  at DC500V.
  - 3.Contact Resistance:  $<10\text{m}\Omega$ .
  - 4.Withstand Voltage: 2000V AC
  - 5.Operating Current: 2A
  - 6.Operating Voltage: AC 30V
  - 7.Waterproof Rate: IP67 (Mated)
  - 8.Seal Nut: Nylon, Black
  - 9.Seal Ring: Silicon, Black.
  - 10.Clamp Ring: Nylon, Black
  - 11.Gasket: Silicon, Red
  - 12.Lock Nut: Nylon, Black
  - 13.Male Pin: Copper Alloy, Gold Plated
  - 14.Connector: Nylon+GF, Black
  - 15.O-Ring: Silicon, Red
  - 16.RoHS Compliant.
  - 17.UL Compliant.
  - 18.Mating Cap: 806-00026-01

12 Pin	18 Pin
P/N: 23012111-XX	P/N: 23018111-XX
Pin Assignments Front View	



UNIT: mm		DESCRIPTION
TOLERANCE		Middle Series Screw Male Plug With Male Pin
.X	$\pm 0.25$	SCALE: 1:1
.XX	$\pm 0.15$	SHEET 1 OF 1
.XXX	$\pm 0.05$	REV. C1
ANGLES	$\pm 1^{\circ}$	SIZE A4
		* : Inspection Item



PART NO	23XXX111-XX	DRAWN BY	Hary	DATE	2020/05/04
DWG NO		CHECKED BY	Mo	DATE	2020/05/04
CUSTOMER		APPROVED BY	Panson	DATE	2020/05/04

THIS INFORMATION IS CONFIDENTIAL AND IS DISCLOSED TO YOU ON CONDITION THAT NO FURTHER DISCLOSE IS MADE BY YOU TO OTHER THAN CHOGORI PERSONNEL WITHOUT AUTHORIZATION FROM CHOGORI CORP.