

THIS DRAWING IS UNPUBLISHED.

RELEASED FOR PUBLICATION

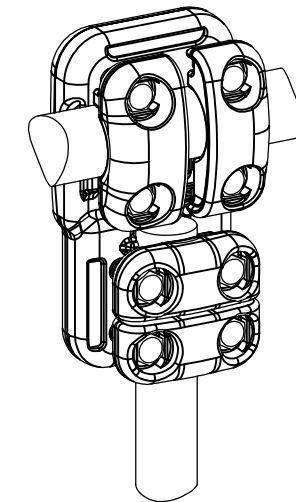
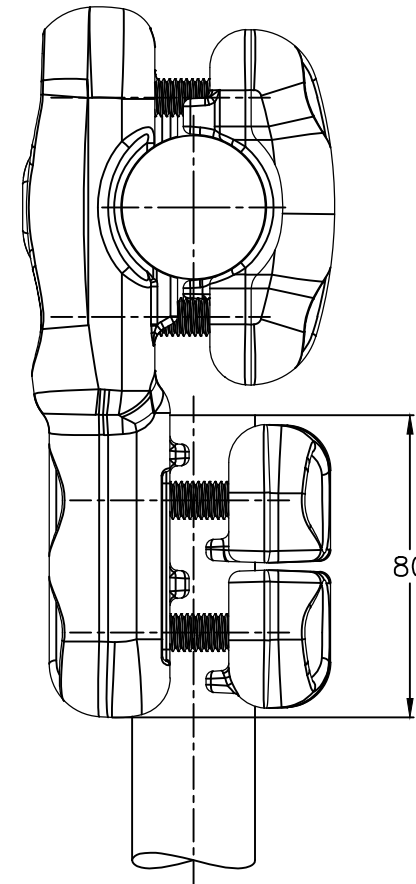
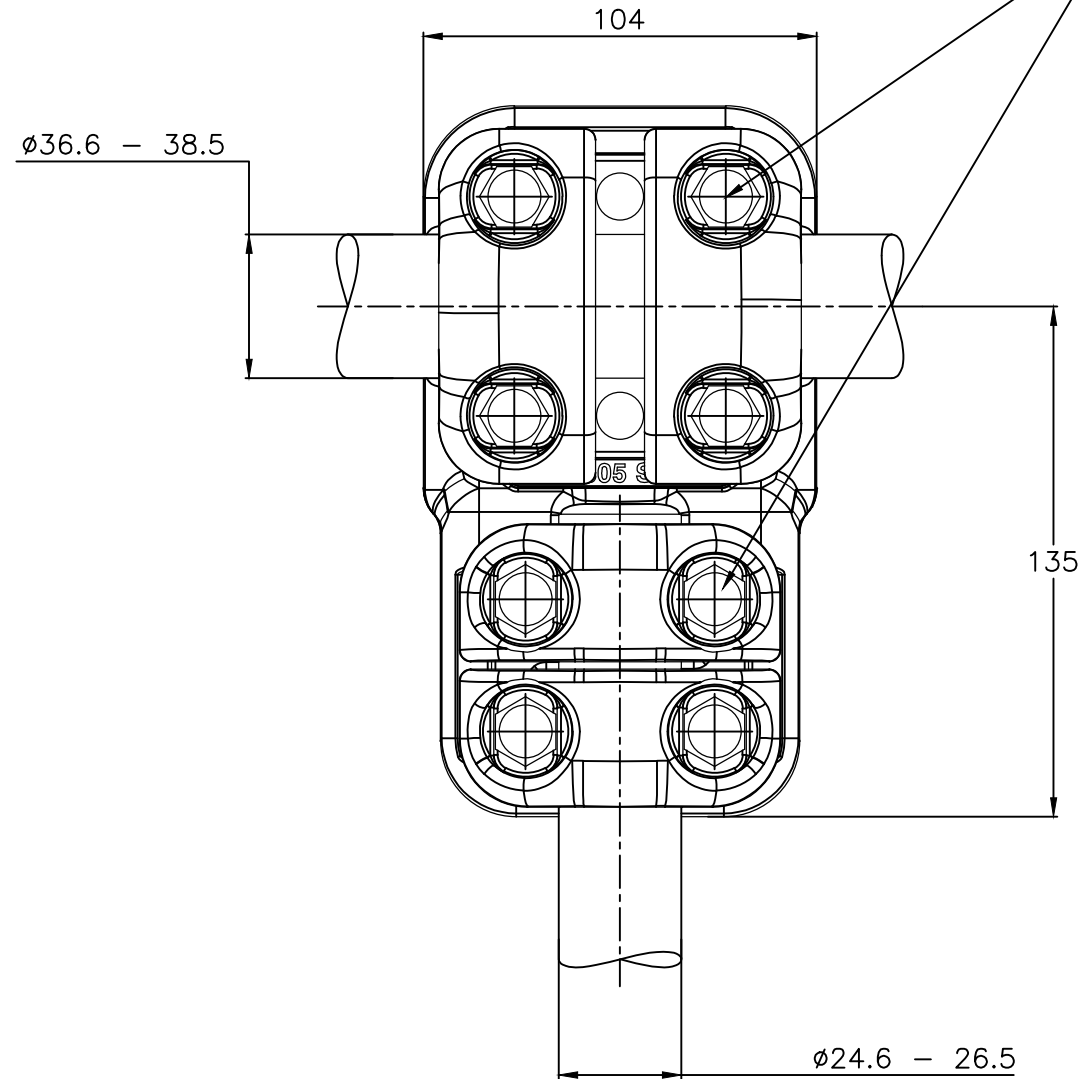
---

ALL RIGHTS RESERVED.

© COPYRIGHT - By -

REVISIONS

P	LTR	DESCRIPTION	DATE	DWN	APVD
	A	CREATION	27-JUN-18	GL	-



No scale  
Sans échelle

ITEM:.....

THIS DRAWING IS A CONTROLLED DOCUMENT.		DWN	LAFORGE		27-JUN-18
DIMENSIONS: mm		CHK	-		
TOLERANCES UNLESS OTHERWISE SPECIFIED:		APVD	-		
0 PLC ± -		PRODUCT SPEC	108-69096-001		
1 PLC ± -		APPLICATION SPEC	-		
2 PLC ± -		APPROX.WEIGHT	1.89	kg	A3
3 PLC ± -		CUSTOMER DRAWING	SCALE 1:2		
4 PLC ± -		FINISH	-		
ANGLES ± -		RESTRICTED TO	-		
MATERIAL		SIZE	CAGE CODE	DRAWING NO	REV
-		A3	00779	C=2338681	A
-		SHEET	1 OF 1		REV
-		1 OF 1		A	



NAME TEE CONNECTOR  
RACCORD EN TE  
5 CT 82 M385 S265