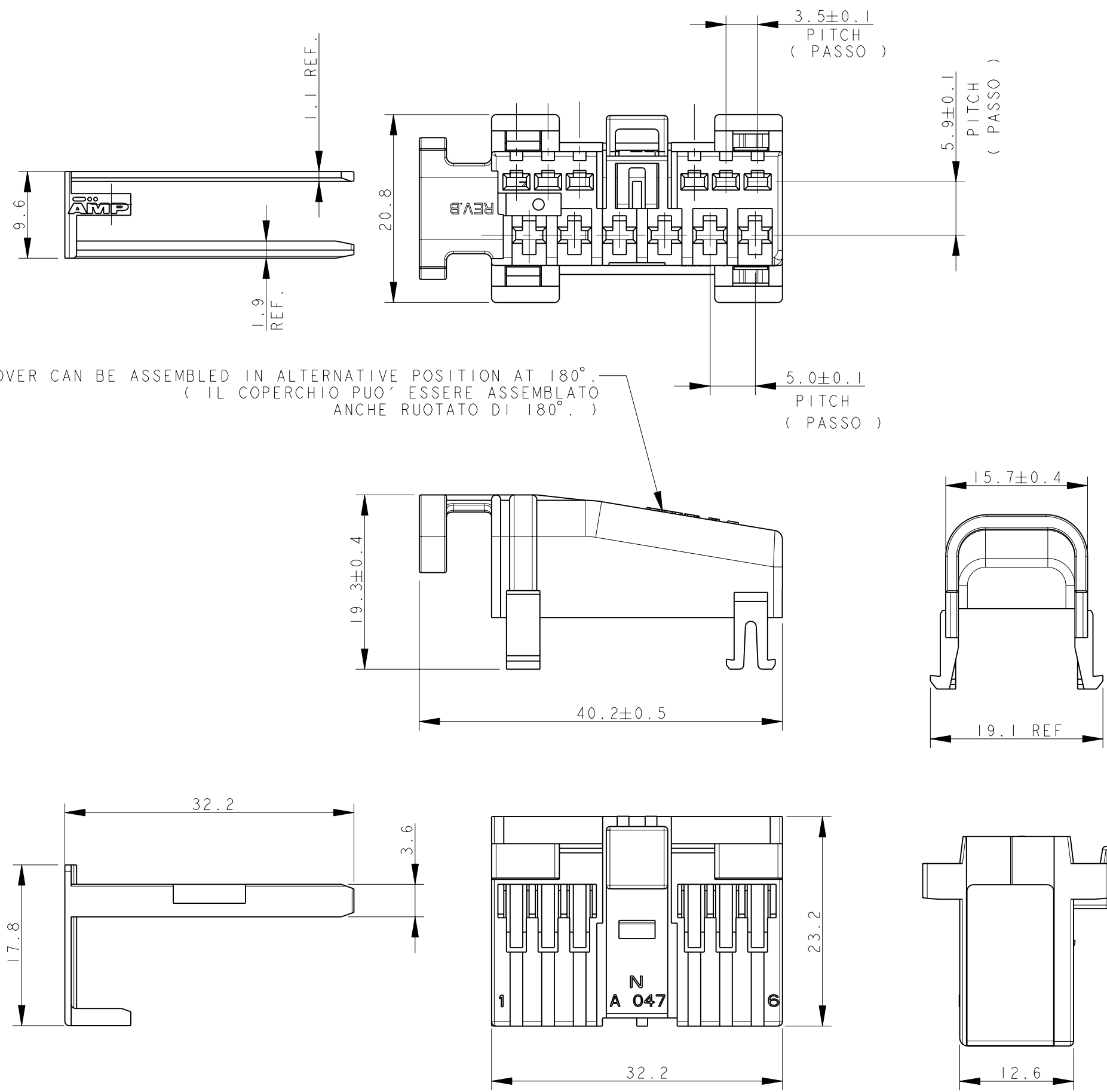
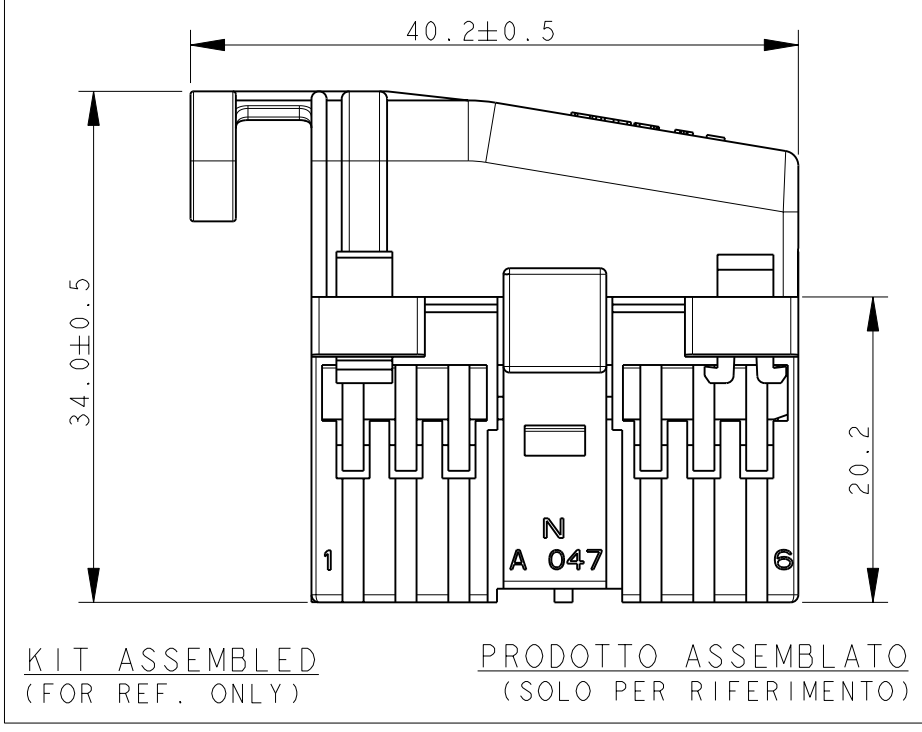


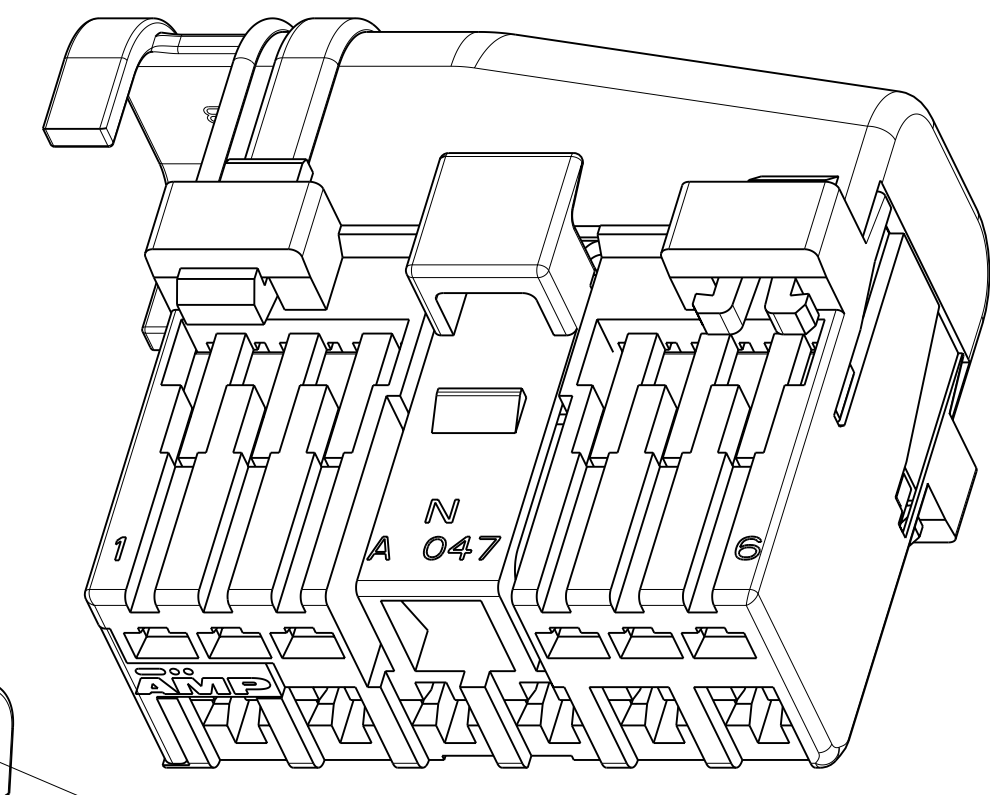
THIS DRAWING IS UNPUBLISHED. RELEASED FOR PUBLICATION 2011
 © COPYRIGHT 2011 BY - ALL RIGHTS RESERVED.



COVER CAN BE ASSEMBLED IN ALTERNATIVE POSITION AT 180°.
 (IL COPERCHIO PUO' ESSERE ASSEMBLATO ANCHE RUOTATO DI 180°.)

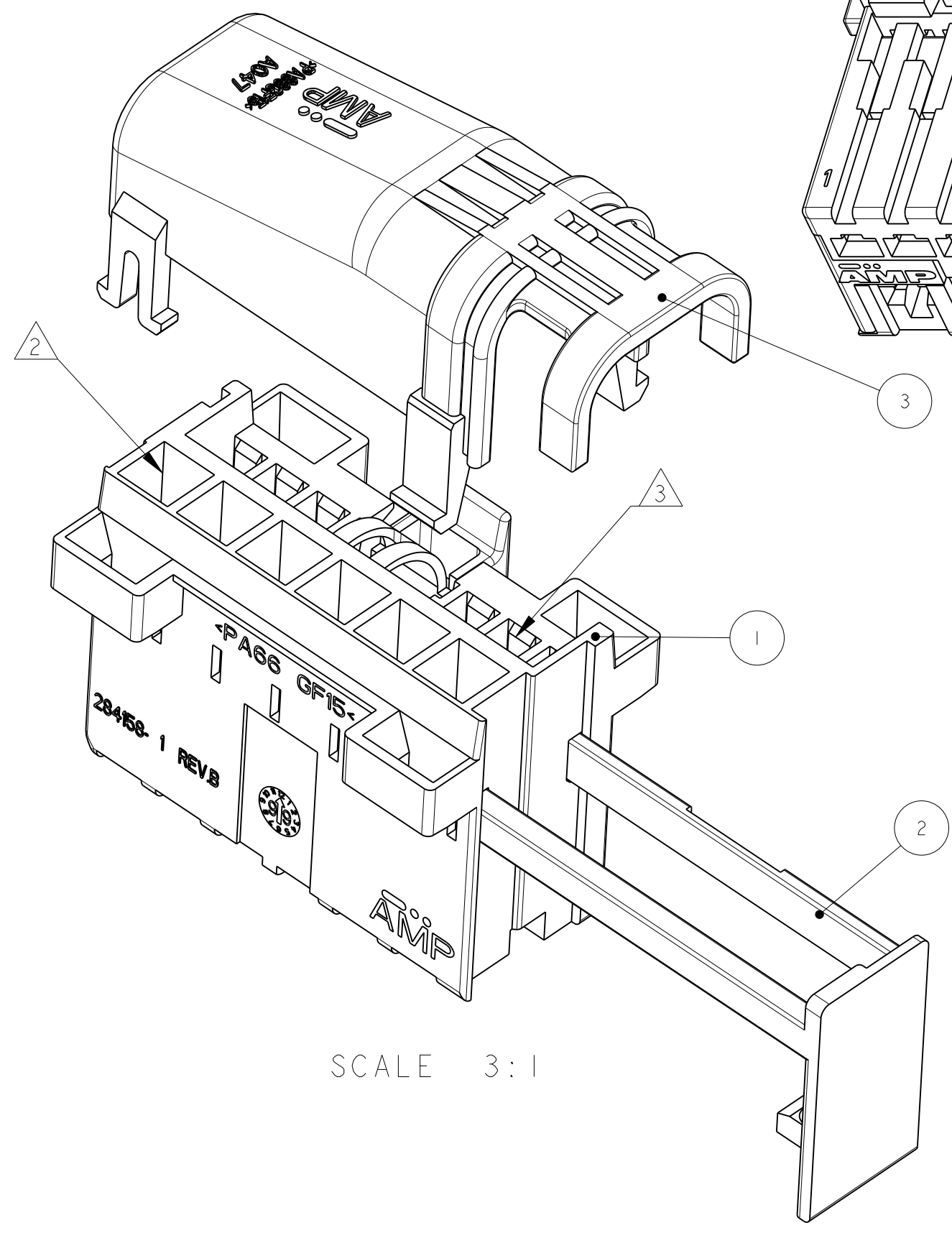


REVISIONS					
P	LTR	DESCRIPTION	DATE	DWN	APVD
B1		RELEASED FOR PRODUCTION (ET00-0315-99)	02MAR1999	G.S.	O.C.
B2		REVISED AND REDRAWN (ET00-0362-99)	16NOV1999	G.S.	O.C.
C		ADDED SH 3 WITH NEW VERS.(ET00-0046-00)	29FEB2000	F.C.	O.C.
C1		RELEASED FOR PROD NEW VERS(ET00-0257-01)	03DEC2001	F.A.	O.C.
C2		REVISED PER ECR-11-019179	26SEP2011	M.G.	M.G.



SCALE 3:1

P/N 284159-1 AS SHOWN



SCALE 3:1

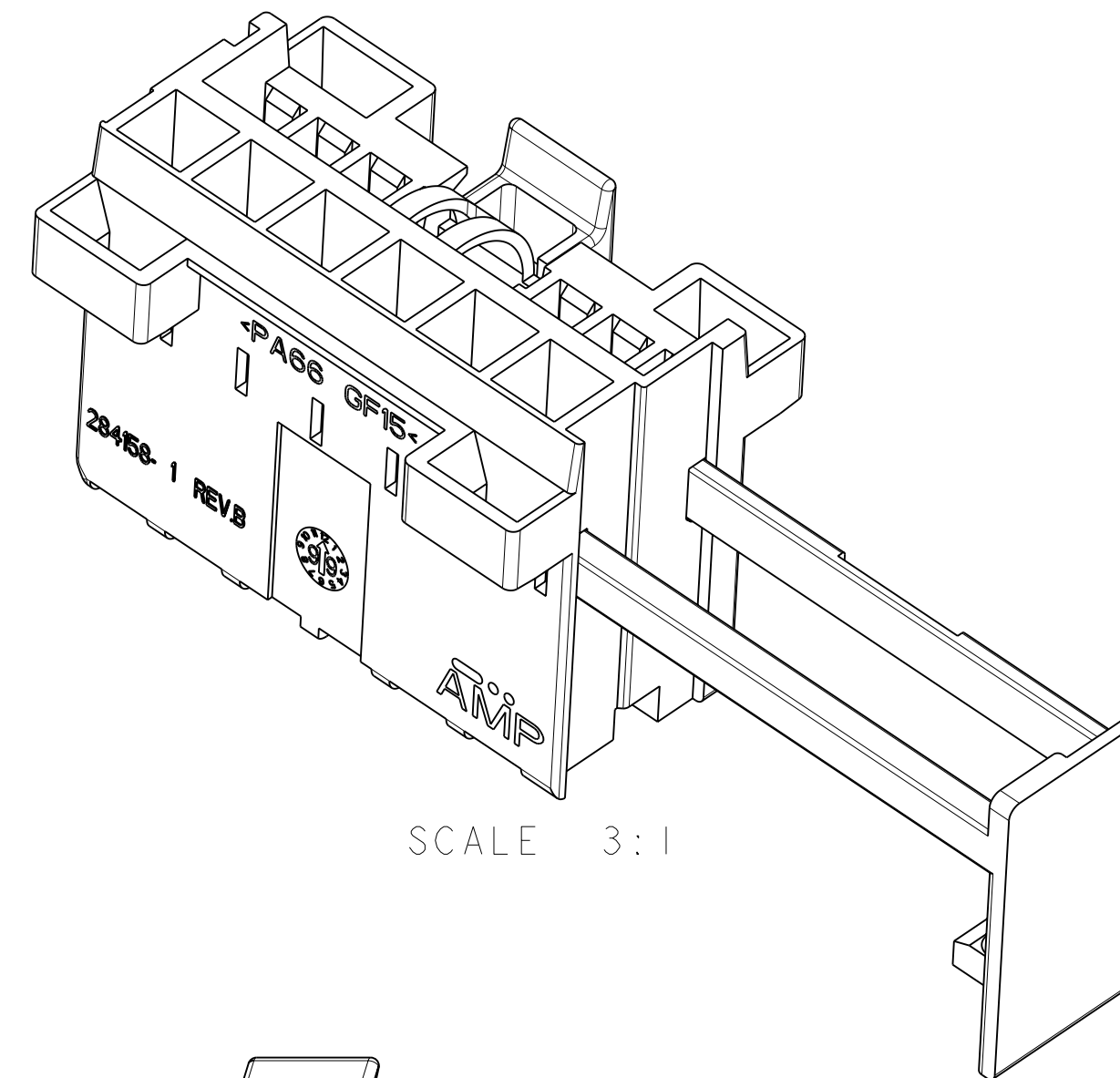
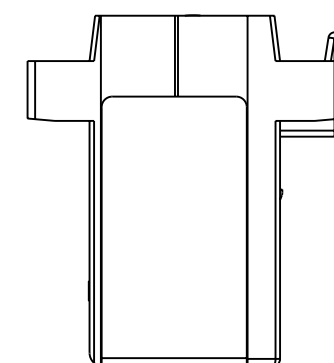
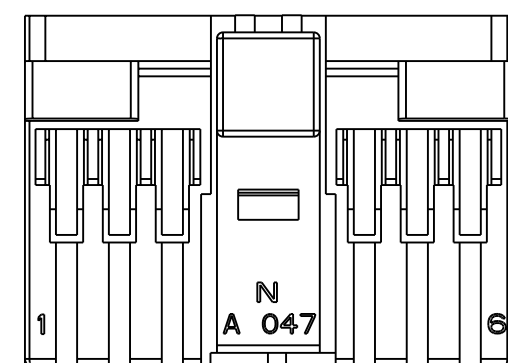
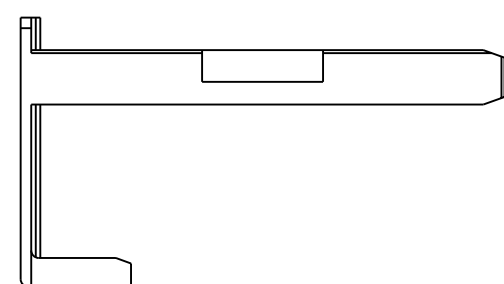
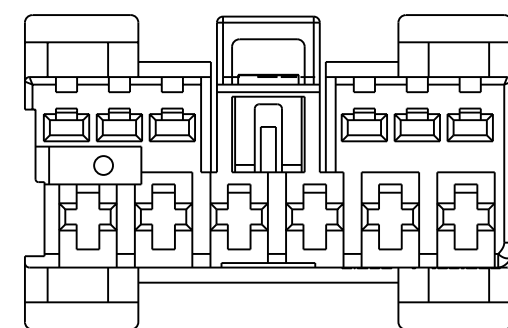
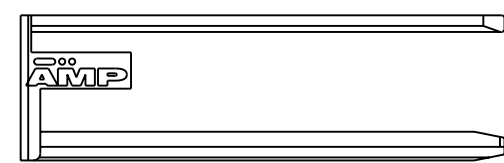
NOTE:

- HOUSING, COVER AND SECONDARY LOCK ARE SUPPLIED UNASSEMBLED WITH EQUAL NUMBER OF PIECES FOR EACH COMPONENT IN A BOX.
 (BLOCCHETTO PORTA FEMMINE, COPERCHIO E AGGANCIO SECONDARIO FORNITI NON ASSEMBLATI IN KIT CON PARI NUMERO DI PEZZI.)
 - N.° 6 CAVITIES FOR JPT CONTACTS P/N 965999-2 OR P/N 927768-3.
 (NUMERO 6 CAVITA' PER CONTATTO TIPO JPT P/N 965999-2 O P/N 927768-3)
 - N.° 6 CAVITIES FOR 070 NEW GENERATION P/N's :
 -284087-1
 -284088-1
 (NUMERO 6 CAVITA' PER CONTATTO 070 NUOVA GENERAZIONE P/N's:)
 - 284087-1;
 - 284088-1.
 - KIT IS SO COMPOSED:
 (IL KIT E' COSI' COMPOSTO:)
- ① -HOUSING IN PA 6.6 GF COLOR NATURAL;
 (BLOCCHETTO PORTA CONTATTI IN PA 6.6 CARICATO VETRO COLORE NATURALE.)
 - ② -SECONDARY LOCK IN PA 6.6 GF COLOR RED.
 (AGGANCIO SECONDARIO IN PA 6.6 CARICATO VETRO COLORE ROSSO.)
 - ③ -COVER IN PA 6.6 GF COLOR BLACK
 (COPERCHIO IN PA 6.6 CARICATO VETRO COLORE NERO.)

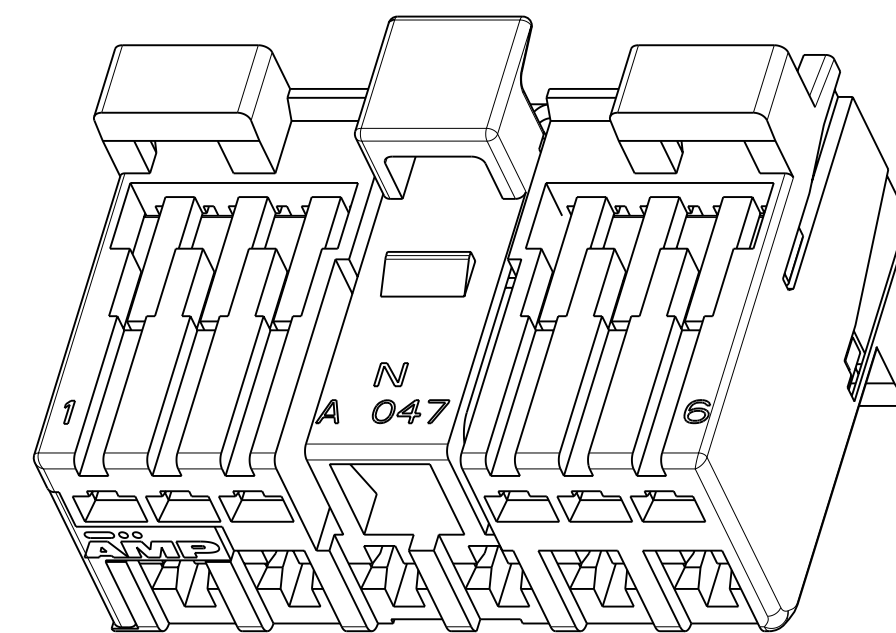
P/Ns	REV.
284159-1	B
284159-2	B
284159-3	C
284159-4	C
284159-5	C

THIS DRAWING IS A CONTROLLED DOCUMENT.		DWN A. MARANGON 29 JAN 99	TE Connectivity	
DIMENSIONS: mm		CHK O. CANUTO 29 JAN 99		
TOLERANCES UNLESS OTHERWISE SPECIFIED:		APVD -	NAME	
0 PLC ± 1 PLC ±0.3 2 PLC ± 3 PLC ± 4 PLC ± ANGLES ±°		PRODUCT SPEC 108-20198	12 POSITIONS 070/JPT FEMALE CONNECTOR KIT	
MATERIAL SEE NOTES		APPLICATION SPEC -	SIZE A20779	DRAWING NO C-284159
		WEIGHT -	CAGE CODE -	RESTRICTED TO -
		CUSTOMER DRAWING	SCALE 2:1	SHEET 1 OF 3 REV C2

LOC		DIST		REVISIONS			
P	LTR	DESCRIPTION	DATE	DWN	APVD		
		SEE SHEET 1 (VEDERE FOGLIO 1)					



SCALE 3:1



SCALE 3:1

P/N 284159-2 AS SHOWN

NOTE:

- P/N KIT 284159-2 IS THE SAME OF KIT P/N 284159-1 EXCEPT THE COVER: SEE SHEET 1.
(IL KIT P/N 284159-2 DIFFERISCE DAL KIT P/N 284159-1 PER LA MANCANZA DEL COPERCHIO. VEDERE FOGLIO 1.)
- HOUSING AND SECONDARY LOCK ARE SUPPLIED UNASSEMBLED, WITH EQUAL NUMBER OF PIECES FOR EACH COMPONENT IN A BOX.
(BLOCCHETTO PORTA FEMMINE E AGGANCIO SECONDARIO FORNITI NON ASSEMBLATI IN KIT CON PARI NUMERO DI PEZZI.)

THIS DRAWING IS A CONTROLLED DOCUMENT.		DWN A. MARANGON 29 JAN 99	TE Connectivity	
		CHK O. CANUTO 29 JAN 99		
DIMENSIONS: mm		TOLERANCES UNLESS OTHERWISE SPECIFIED:		12 POSITIONS 070/JPT FEMALE CONNECTOR KIT
		0 PLC ±	PRODUCT SPEC	SIZE
		1 PLC ±0.3	108-20198	CAGE CODE
		2 PLC ±	APPLICATION SPEC	DRAWING NO
		3 PLC ±		A200779
		4 PLC ±	WEIGHT	RESTRICTED TO
		ANGLES ±°		-
MATERIAL		FINISH	CUSTOMER DRAWING	SCALE 2:1
SEE SHEET 1				SHEET 2 OF 3
				REV C2

REVISIONS			
LOC	DIST	DESCRIPTION	DATE
		SEE SHEET 1 (VEDERE FOGLIO 1)	

P/N	RAPPRESENTAZIONE 3D (3D VIEW)	COLORE BLOCCHETTO (COLOUR HOUSING)	CONTROPARTE (COUNTERPART)
284159-3		VERDE (GREEN)	284162-3
284159-4		BLU (BLUE)	284162-4
284159-5		GRIGIO (GREY)	284162-5

THIS DRAWING IS A CONTROLLED DOCUMENT.		DWN A MARANGON 29 JAN 99	TE Connectivity	
		CHK O CANUTO 29 JAN 99		
DIMENSIONS: mm		TOLERANCES UNLESS OTHERWISE SPECIFIED:		NAME
		0 PLC ± 1 PLC ±0.3 2 PLC ± 3 PLC ± 4 PLC ± ANGLES ±° FINISH		PRODUCT SPEC 108-20198
MATERIAL SEE SHEET 1		APVD -		APPLICATION SPEC -
		WEIGHT -		SIZE A207779
		CUSTOMER DRAWING		DRAWING NO C-284159
		SCALE 2:1		RESTRICTED TO -
		SHEET 3 OF 3		REV C2