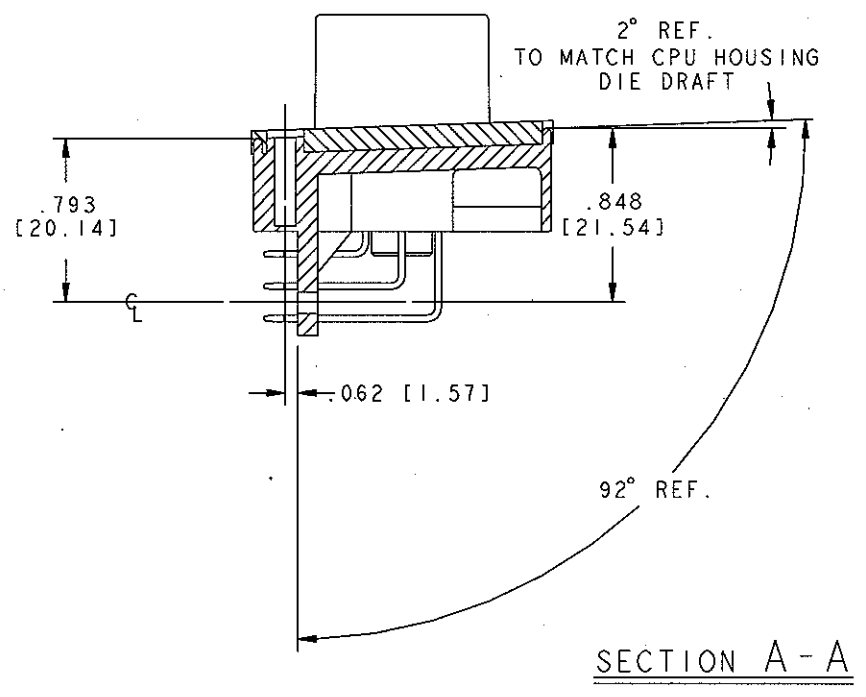
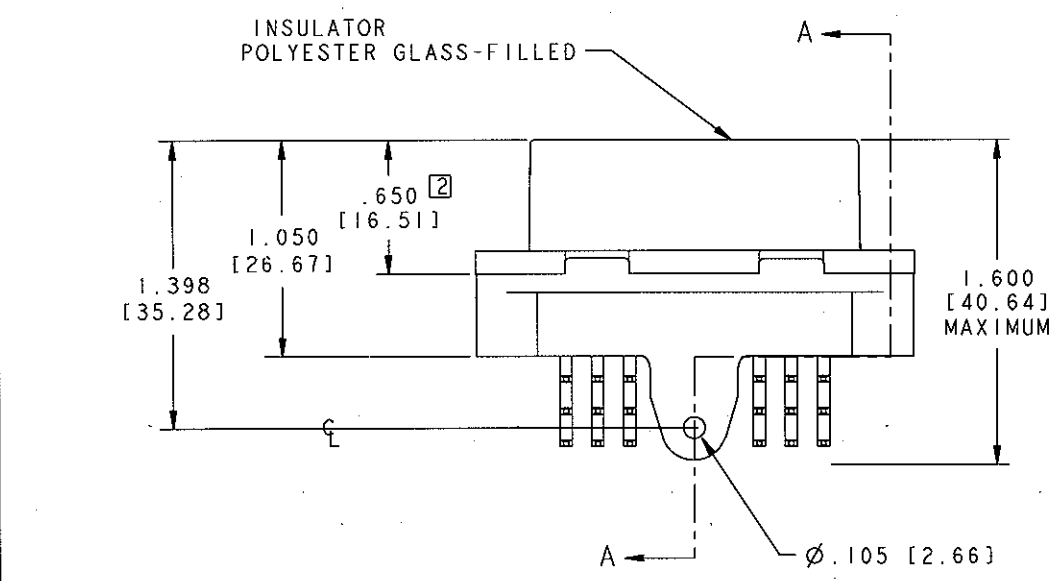


DRAWING REVISIONS			
REV	DOCUMENT	APP	DATE
A	RELEASE TO PRODUCTION D.O. #01-1405	AC	11/10/01
B	CHG: 011 WAS 001 (P2D7) CHG: 023 WAS 021 (P2D7) CHG: 012 WAS 002 (P2C7) CHG: 024 WAS 022 (P2C6) PER ECN 03A734	J.C.	11/4/03

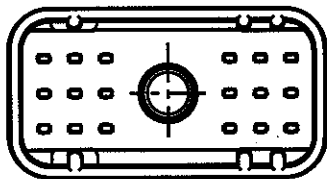


- NOTES
- ALL DIMENSIONS IN [] ARE IN MILLIMETERS.
 - .650 [16.51] TO BE MEASURED AT THE CENTER OF WIDTH OF CONNECTOR.
 - TERMINAL BLADE MATERIAL: BRASS WITH TIN-LEAD OVER NICKEL PLATING.
 - SOLDERABILITY MEETS USCAR 5.4.1.
 - MATES WITH CINCH PUSH-TO-SEAT HARNESS CONNECTOR (SEE SHT. 2)
 - STANDARD CELL PACK, QUANTITY 100 PIECES.
 - RECOMMENDED TORQUE: JACKSCREW 15-20 IN-LBS [1.7-2.3Nm]
PANEL SCREW 8.5±0.5 IN-LBS [0.9±0.1Nm]
PCB RETENTION SCREW 2-3 IN-LBS [0.23-0.34 Nm]

UNITS ENGLISH		PRO/E		Cinch		1700 FINLEY RD LOMBARD, IL. 60148	
DO NOT SCALE DRAWING		DRAWN BY J. TOBACK	DATE 11/16/01	TITLE CONNECTOR ASSEMBLY, RECEPTACLE 18 POSITION (WITHOUT FERRITES)			
		DESIGN ENGINEER J. TOBACK	11/16/01	MATERIAL		CONTROL SPEC NUMBER	
		DESIGN ENGINEERING MGR. A. CAINES	11/16/01	MATERIAL SPEC NUMBER	FINISH	PROJECT NUMBER C13841	
		MFG. ENGINEERING P. WALTHALL	12/06/01	CAD FILE NUMBER 5810118011S	DRAWING NUMBER 581 01 18 011S		
		QUALITY ASSURANCE T. SHAH	12/06/01	CAGE IDENT NO. SIZE 71785 B	SCALE 1.000	SHEET 1 OF 2	
<small>THIS DOCUMENT IS THE PROPERTY OF CINCH. NEITHER THIS DOCUMENT NOR ANY OF THE INFORMATION CONTAINED IN IT MAY BE DUPLICATED OR DISCLOSED WITHOUT PRIOR WRITTEN CONSENT OF CINCH.</small>							

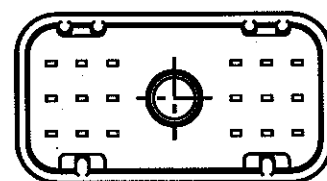
8 7 6 5 4 3 2 1

581 01 18 011 (BLACK)

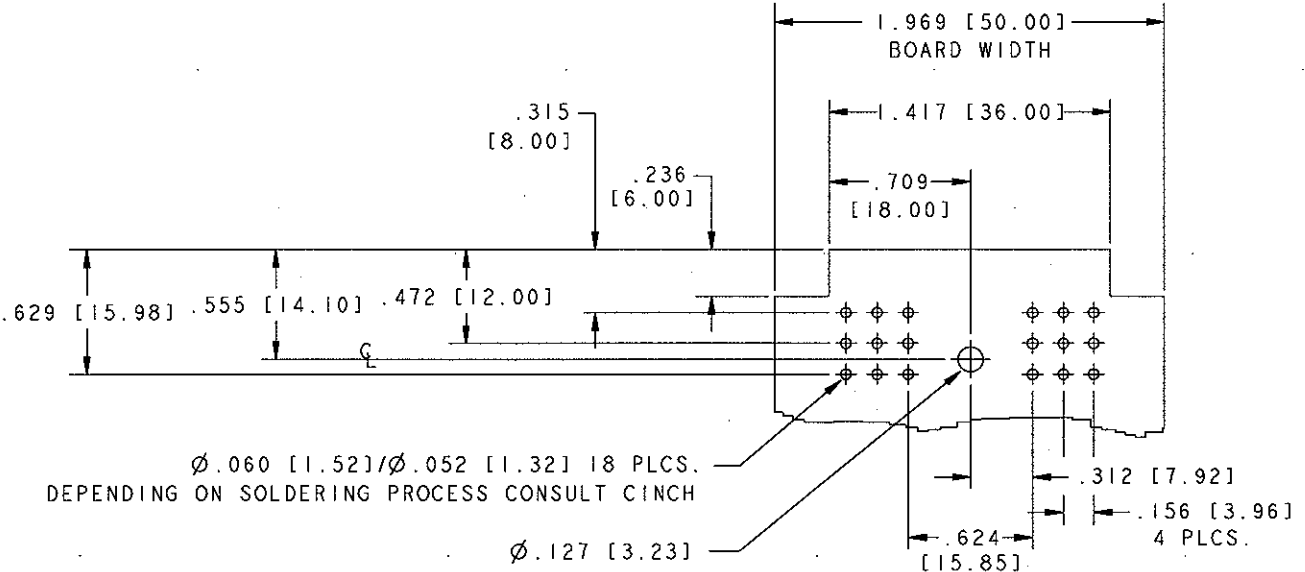


POLARIZATION "A"
MATES WITH CINCH P/N 581 01 18 023

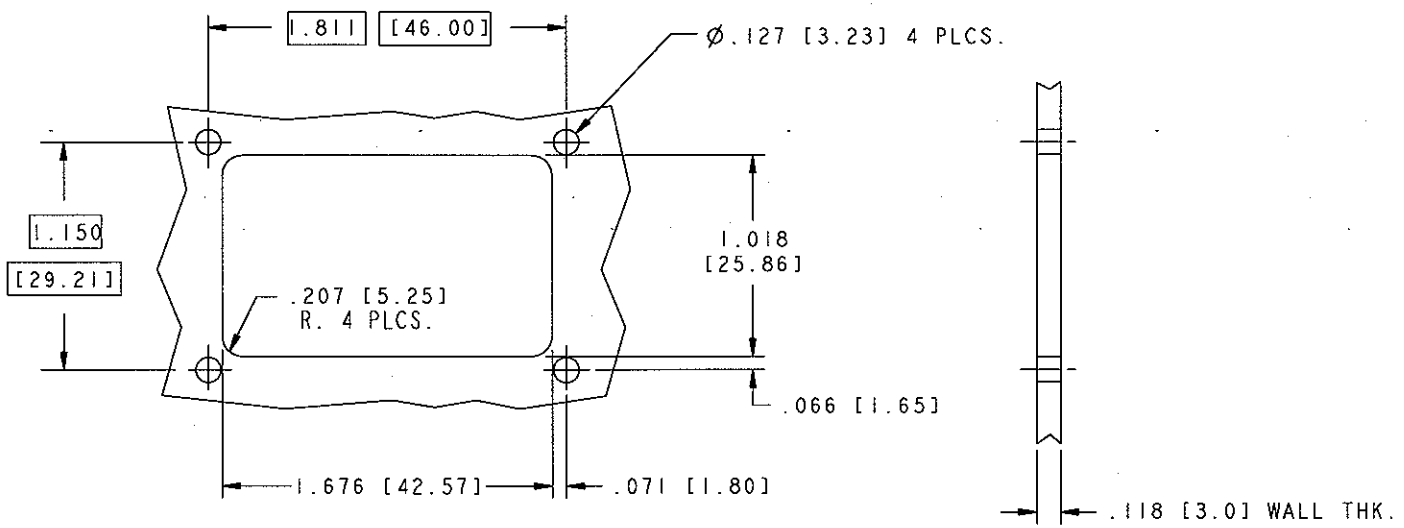
581 01 18 012 (NATURAL)



POLARIZATION "B"
MATES WITH CINCH P/N 581 01 18 024



RECOMMENDED PC BOARD LAYOUT



MOUNTING HOLE-MODULE CASE OPENING

UNITS ENGLISH		Cinch		1700 FINLEY RD LOMBARD, IL. 60148	
DO NOT SCALE DRAWING		TITLE CONNECTOR ASSEMBLY, RECEPTACLE 18 POSITION (WITHOUT FERRITES)			
		PRO/E DRAWING			
THIS DOCUMENT IS THE PROPERTY OF CINCH. NEITHER THIS DOCUMENT NOR ANY OF THE INFORMATION CONTAINED IN IT MAY BE DUPLICATED OR DISCLOSED WITHOUT PRIOR WRITTEN CONSENT OF CINCH.		CAD FILE NUMBER 5810118011S	DRAWING NUMBER 581 01 18 011S	REV B	
		CAGE IDENT NO. 71785	SCALE B	1.000	SHEET 2 OF 2

8 7 6 5 4 3 2 1