

4

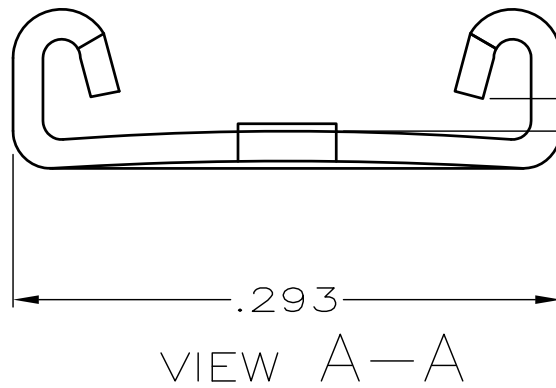
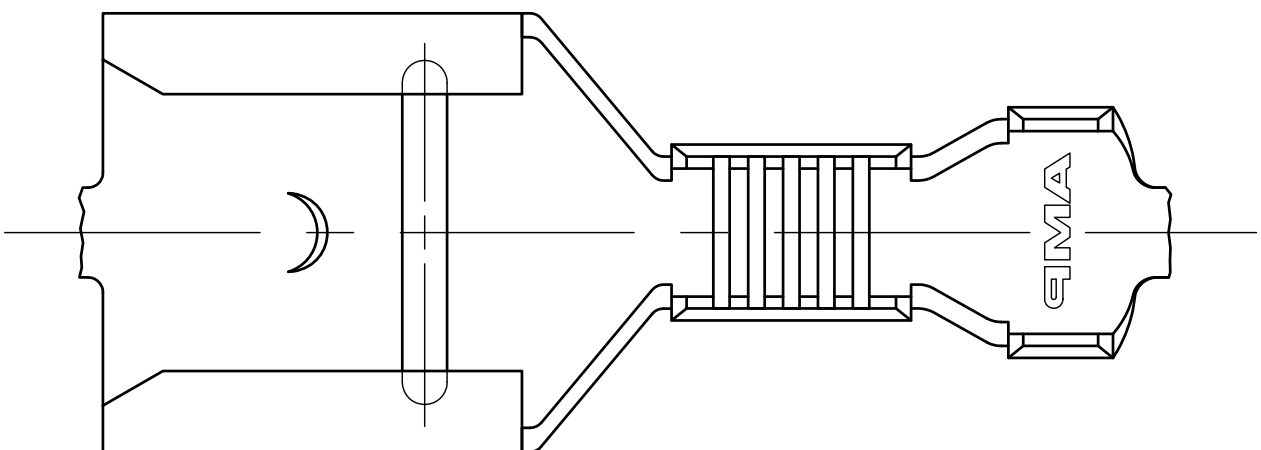
3

2

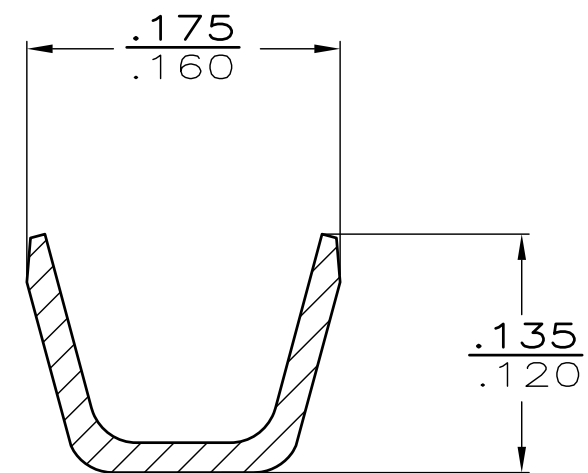
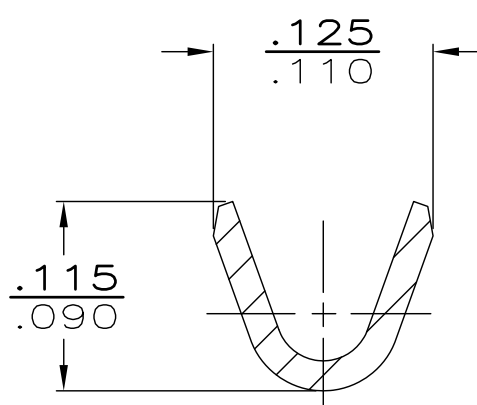
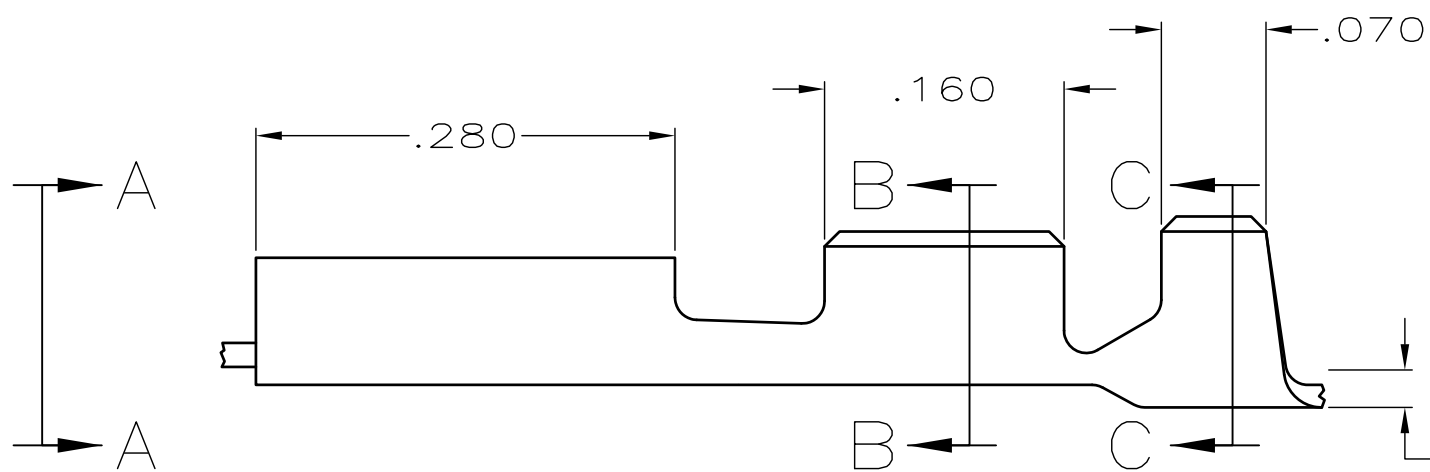
1

THIS DRAWING IS UNPUBLISHED. RELEASED FOR PUBLICATION  
 © COPYRIGHT - By TYCO ELECTRONICS CORPORATION. ALL RIGHTS RESERVED.

LOC	DIST	REVISIONS			
P	LTR	DESCRIPTION	DATE	DWN	APVD
AF	50				
	D	REVISE PER ECR-13-013738	15FEB2014	GRZ	JL



FITS .025 x ".250"  
 SERIES FASTON TAB



- 1 WIRE RANGE:  
#23-19 OR 24-26 DOUBLE MAGNET WIRE
- 2 INSULATION RANGE:  
.050 OR (2).050 SIDE BY SIDE

62069-1  
 PART NUMBER

THIS DRAWING IS A CONTROLLED DOCUMENT.		DWN	DK SCHRUM	5/24/89		RECEPTACLE, AMPLIVAR, FASTON, "250" SERIES				
DIMENSIONS: INCHES		CHK	JR RUTH	7/2/89		NAME				
TOLERANCES UNLESS OTHERWISE SPECIFIED:		APVD	C MEYERS	7/3/89		SIZE	CAGE CODE	DRAWING NO	RESTRICTED TO	
0 PLC ± - 1 PLC ± - 2 PLC ± - 3 PLC ± .015 4 PLC ± - ANGLES ± -		PRODUCT SPEC	R KUZO	7/3/89		A3	00779	C-62069	-	
MATERIAL: BRASS		FINISH: -		WEIGHT: -	CUSTOMER DRAWING			SCALE: 8:1	SHEET: 1 OF 1	REV: D