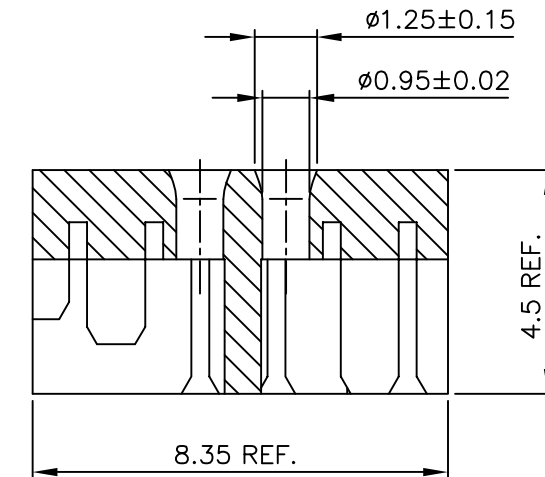
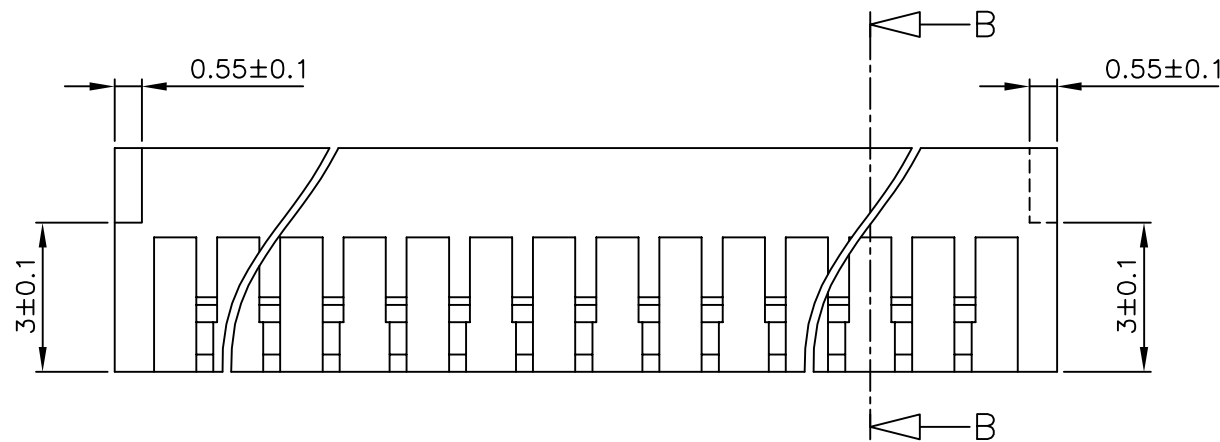
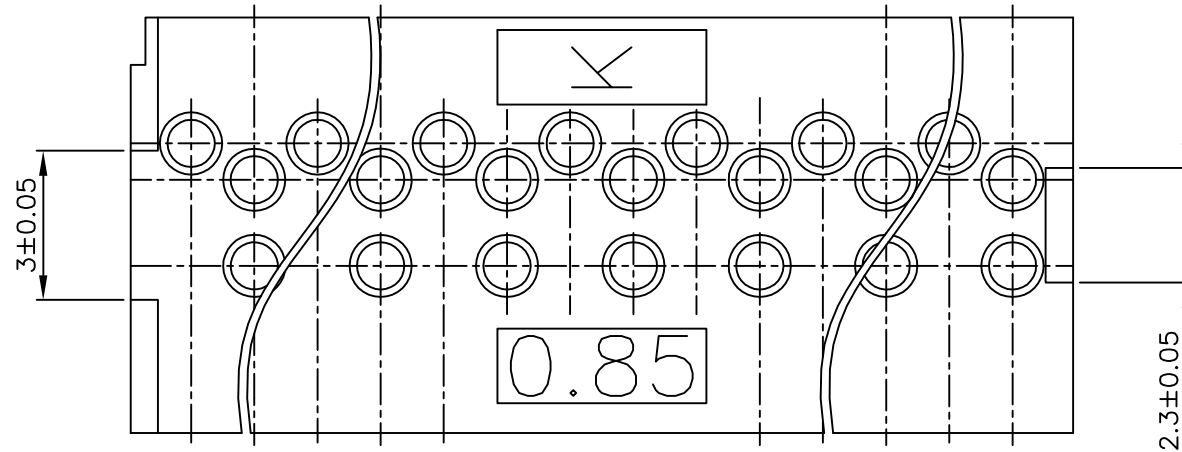


| Product number | No. of Pos. | DIM W |
|----------------|-------------|-------|
| 85382-001 | 3 x 7 | 18.94 |
| 85382-011 | 3 x 3 | 8.78 |

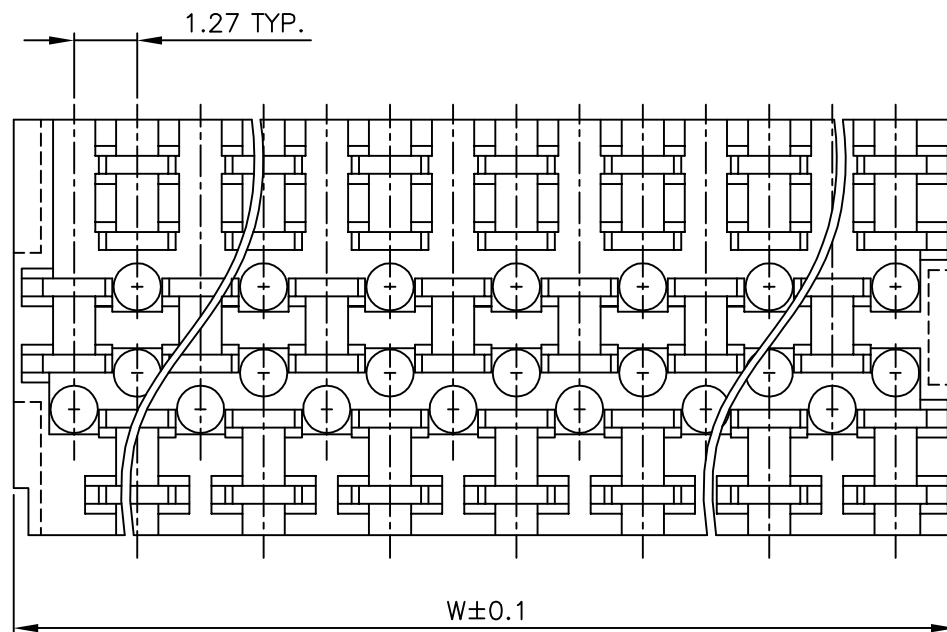
NOTES:-

1. THIS PRODUCT MEETS EUROPEAN UNION DIRECTIVES AND OTHER COUNTRY REGULATIONS AS DESCRIBED IN GS-22-008.
2. LEADFREE OR RoHS DIRECTIVE LABELLING TO BE PROVIDED AS PER GS-14-920.
3. " LF " SUFFIX TO PRODUCT NUMBER FOR RoHS COMPATIBLE/ LEADFREE VERSION.
4. PARTS WITH AND WITHOUT "LF " SUFFIX ARE FORM-FIT AND FUNCTIONALLY IDENTICAL. " LF " SUFFIX PROVIDED FOR PART NUMBER STANDARDISATION OF PART THAT MEETS RoHS REQUIREMENTS.



Section B-B

MATERIAL: THERMOPLASTIC POLYESTER
 GREY, 30% GLASS FILLED
 FLAME RETARDANT UL-94-V0



| | | | | | | | | | |
|-------------|----------|----------|------------|---------------------------------------|---------------|------------|-----|--------------------------|--|
| mat'l. code | | surface | | tolerance | | projection | | product family | |
| SEE NOTE | | ISO 1302 | | ISO 406 ISO 1101 | | mm | | BACKPANEL | |
| ltr | ecn no | dr | date | tolerances unless otherwise specified | | mm | | title | |
| A | H50590 | DDB | 1995-10-12 | angles | linear | mm | | PIERCE BLOCK | |
| B | I05-0123 | MINI | 2005-07-27 | | | mm | | CABLE DIA 0.85 mm | |
| C | I05-0248 | MINI | 2005-11-22 | | | scale - | | | |
| D | I06-0083 | MINI | 2006-06-01 | dr | D.de BIL | 1995-10-12 | FCJ | dwg no | |
| | | | | enrg | M.LOMAN | 1995-10-12 | | sheet 1 of 1 | |
| | | | | chr | RAKHEE GEORGE | 2005-11-22 | | 85382 | |
| | | | | appd | RAKHEE GEORGE | 2005-11-22 | | size | |
| sheet index | | revision | D | | | | | type | |
| | | sheet | 1 | | | | | Product Customer Drawing | |