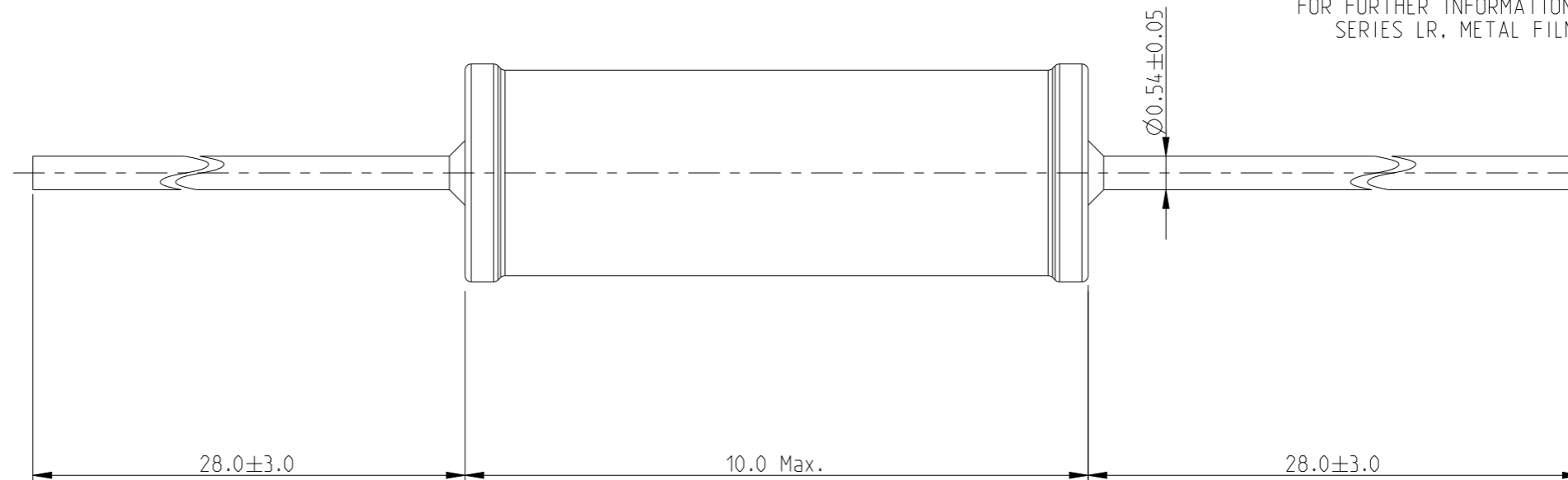
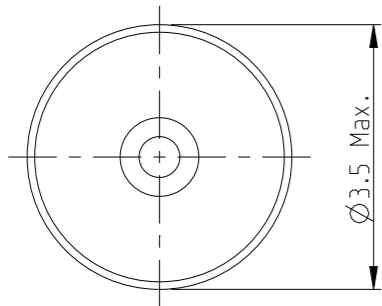


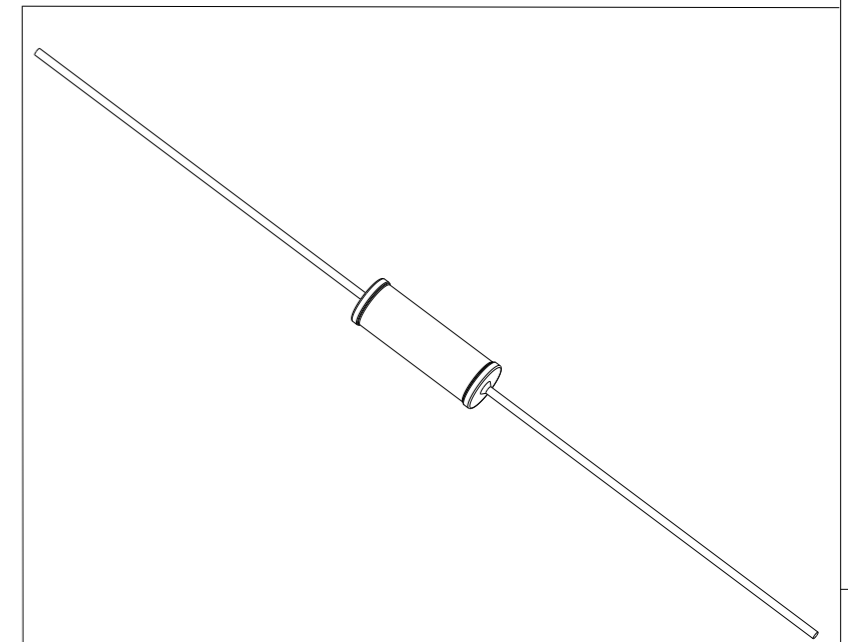
REVISIONS

P	LTR	DESCRIPTION	DATE	DWN	APVD
	BA	NEW RELEASE	06JULY2010	PT	St.P
	BB	CLARIFICATION OF DIMENSIONS	18JAN2023	DM	AP

FOR FURTHER INFORMATION SEE DATA SHEET FOR SERIES LR, METAL FILM FIXED RESISTORS



RoHS Compliant



THIS DRAWING IS A CONTROLLED DOCUMENT.		DWN	06JULY2010				
		CHK	06JULY2010				
		APVD	06JULY2010				
		PRODUCT SPEC	STEPHEN.P				
DIMENSIONS:		TOLERANCES UNLESS OTHERWISE SPECIFIED:		NAME			
mm				METAL FILM FIXED RESISTORS			
		0 PLC	± 0.2	SERIES LR2			
		1 PLC	± 0.1	SIZE	CAGE CODE	DRAWING NO	RESTRICTED TO
		2 PLC	\pm	A3	00779	C=1622779	-
		3 PLC	\pm	SCALE 10:1 SHEET 1 OF 1 REV BB			
MATERIAL		FINISH		CUSTOMER DRAWING			
-		-		-			