

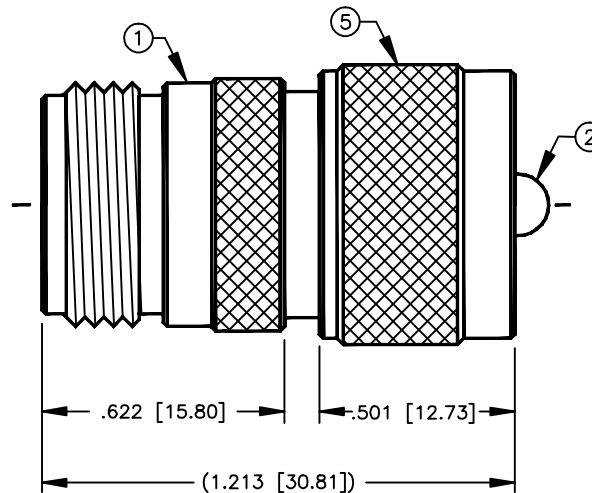
SPECIFICATION CONTROL DRAWING

THIS DRAWING CONTAINS INFORMATION PROPRIETARY TO RF INDUSTRIES, LTD. ANY UNAUTHORIZED USE OF THIS DRAWING IS EXPRESSLY PROHIBITED. ANY VIOLATION IS PUNISHABLE UNDER U.S. COPYRIGHT LAWS.

REV	DESCRIPTION	DWN	DATE	APPROVED
B	ADD DIELECTRIC AND CONTACT DIMENSIONS	KMM	6/28/94	R. RICE
C	CHG TO 1 PIECE DIE ITEM #3 / ADD BARB TO CONTACT ITEM #2	CZS	3/10/98	R. RICE
D	CONTACT NOW PHOS BRONZE / UPDATE SPECS	CZS	9/9/99	R. RICE
E	CHANGE CONTACT MATERIAL	CZS	1/26/00	J. D. McR.

000000

ALL DIMENSIONS ARE REFERENCE ONLY



SPECIFICATIONS:

IMPEDANCE: 50 OHMS
 WORKING VOLTAGE: 500 VRMS @ SEA LEVEL
 FREQUENCY RANGE: 0-300 MHZ

DIMENSIONS ARE IN INCHES AND [MILLIMETERS]

UNLESS OTHERWISE NOTED TOLERANCES ARE:
 DECIMALS DIAMETER

RFconnectors
 DIVISION OF RF INDUSTRIES, LTD.

7610 MIRAMAR RD
 SAN DIEGO, CA 92126
 (858) 549-6340
 (858) 549-6345 FAX

RFN-1036-1 / UG-83B/U

N FEMALE TO UHF MALE

ITEM	DESCRIPTION	QTY	MATERIAL	FINISH	APPROVALS	DATE
5	SHELL	1	BRASS	SILVER		
4	RETAINING RING	1	BRASS	NONE		
3	DIELECTRIC	1	PTFE	NONE		
2	CONTACT	1	BRASS	GOLD		
1	BODY	1	BRASS	SILVER		

DRAWN	C. ZUNIGA	1/26/00
CHECKED		
ORJ DRAWN	C. JONES	11/4/91

SIZE	CABLE GROUP	DWG NO.	REV
A	N/A	7280	E
SCALE:	2:1	CAD FILE	13ARC B
			SHEET 1 OF 1