

Customer Information Sheet

DRAWING No.: Z125-904

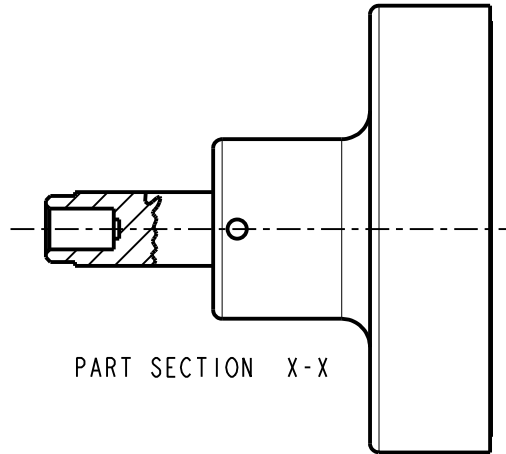
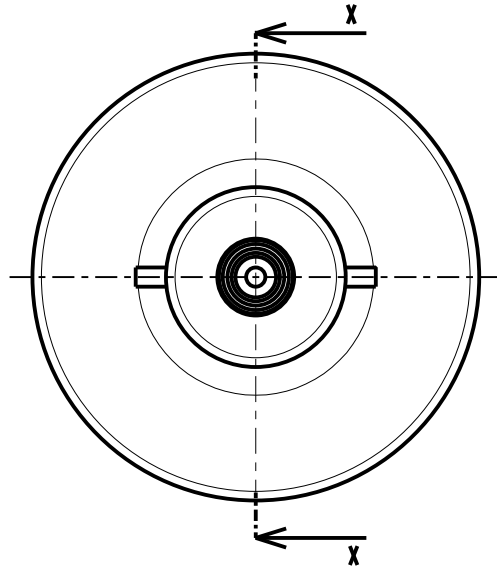
IF IN DOUBT - ASK

©

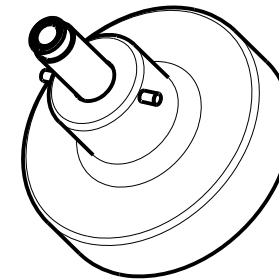
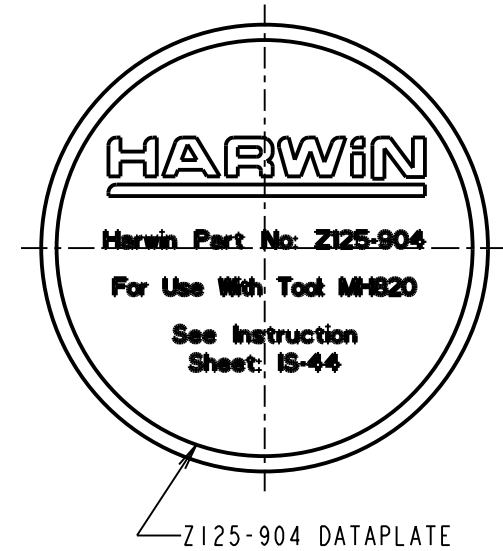
NOT TO SCALE

THIRD ANGLE PROJECTION

ALL DIMENSIONS IN mm



PART SECTION X-X



SF	1	17.08.18	-----
NAME	ISS.	DATE	C/NOTE
APPROVED:		S.FLOWER	
CHECKED:		M.PLESTED	
DRAWN:		S.FLOWER	
CUSTOMER REF.:			
ASSEMBLY DRG:			

NOTES:

- FOR USE WITH Z125-903 HAND CRIMP TOOL. INSTRUCTION SHEETS ARE AVAILABLE, REFER TO INSTRUCTION SHEET IS-44.
- SUITABLE FOR USE WITH G125-0500005 AND G125-1500005 GECKO-MT CRIMP CONTACTS.

HARWIN

www.harwin.com
technical@harwin.com

THIS DRAWING AND ANY INFORMATION OR DESCRIPTIVE MATTER SET OUT HEREON ARE CONFIDENTIAL AND COPYRIGHT PROPERTY OF THE HARWIN GROUP AND MUST NOT BE DISCLOSED, LOANED, COPIED OR USED FOR MANUFACTURING, TENDERING OR FOR ANY OTHER PURPOSE WITHOUT THEIR WRITTEN PERMISSION.

TOLERANCES
 X. = ±1mm
 X.X = ±0.50mm
 X.XX = ±0.20mm
 X.XXX = ±0.01mm
 ANGLES = ±5°
 UNLESS STATED

MATERIAL:
 SEE ABOVE
FINISH:
S/AREA: mm²

TITLE:
 GECKO-MT POWER CONTACT
 CRIMP POSITIONER

DRAWING NUMBER:
 Z125-904

SHT
 2
 OF 2