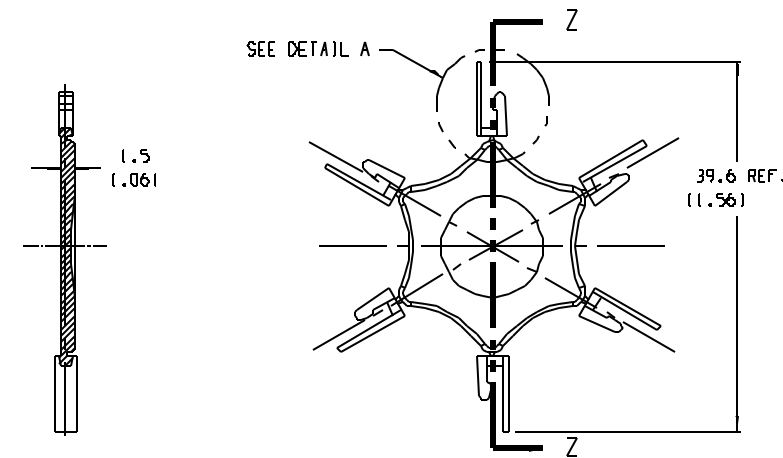
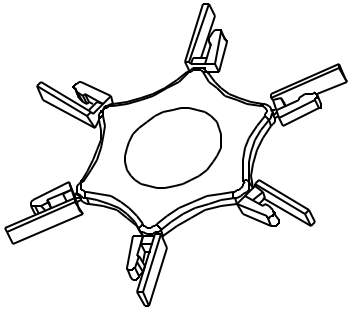


10 9 8 7 6 5 4 3 2

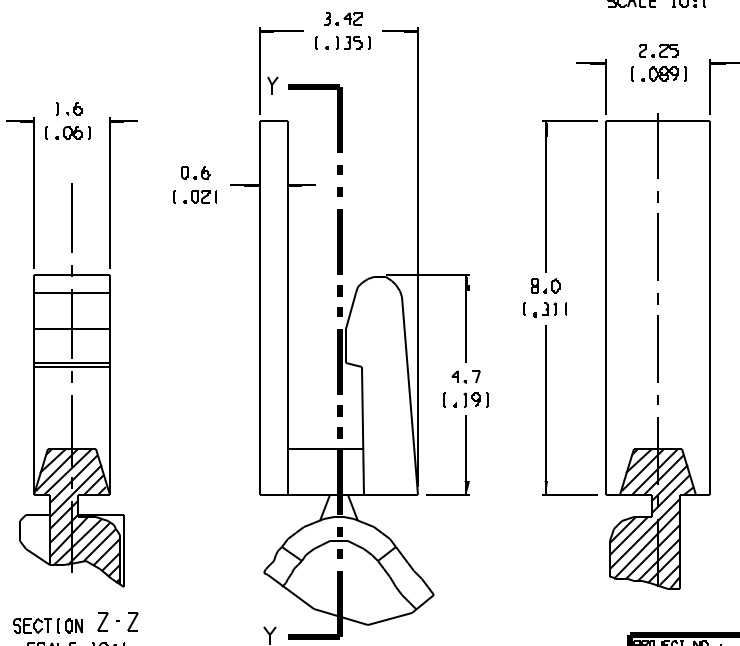
F
E
D
C
B
A



SECTION Z-Z



DETAIL A
SCALE 10:1



SECTION Z-Z
SCALE 10:1

- NOTES:
1. MATERIAL: SEE TABLE
 2. FINISHES: SEE TABLE
 3. PRODUCT SPECIFICATION: NOT REQUIRED
 4. PACKAGING: NOT REQUIRED
 5. MATES WITH: NONE

| | | |
|-------------------|---------------|--------|
| HEADER CODING PIN | THERMOPLASTIC | RED |
| DESCRIPTION | MATERIAL | FINISH |

| | | | | | | | |
|--|---|--|--|---|---|--|--|
| EC NO. RELEASED DRWN: CLY CHK: APPR: | QUALITY SYMBOLS MAJOR CRITICAL SPEC S | GENERAL TOLERANCES (UNLESS SPECIFIED) mm inch | | SCALE 2:1 DESIGN UNITS <input type="checkbox"/> mm <input checked="" type="checkbox"/> INCH | THIRD ANGLE PROJECTION <input checked="" type="checkbox"/> THIRD ANGLE <input type="checkbox"/> FIRST ANGLE | PROJECT NO. - - - DIMENSIONS: <input checked="" type="checkbox"/> DIM INCH <input type="checkbox"/> DIM MM <input type="checkbox"/> DIM ONLY | SHEET REV - - - REVISE ON CAD ONLY |
| | | 4 PLACES ±.0015 3 PLACES ±.038 ±.005 2 PLACES ±.13 ±.01 1 PLACE ±.3 | ANGLE: ±2° DRAFT WHERE APPLICABLE MUST REMAIN WITHIN DIMENSIONS | DRAWN BY & DATE C. YORK 03-04-04 CHECKED BY & DATE APPROVED BY & DATE | TITLE: HEADER CODING PINS, 42 AND 86 SERIES POLARIZED HEADERS | | MOLEX INCORPORATED |
| A | REV | CAP FILENAME SD-38002-014 | MATERIAL NO. 38002-1700 | DRAWING NO. SD-38002-014 | SHEET NO. 1 OF 1 | SIZE B | |

THIS DRAWING CONTAINS INFORMATION THAT IS PROPRIETARY TO MOLEX INCORPORATED AND SHOULD NOT BE USED WITHOUT WRITTEN PERMISSION.

10 9 8 7 6 5 4 3 2 1