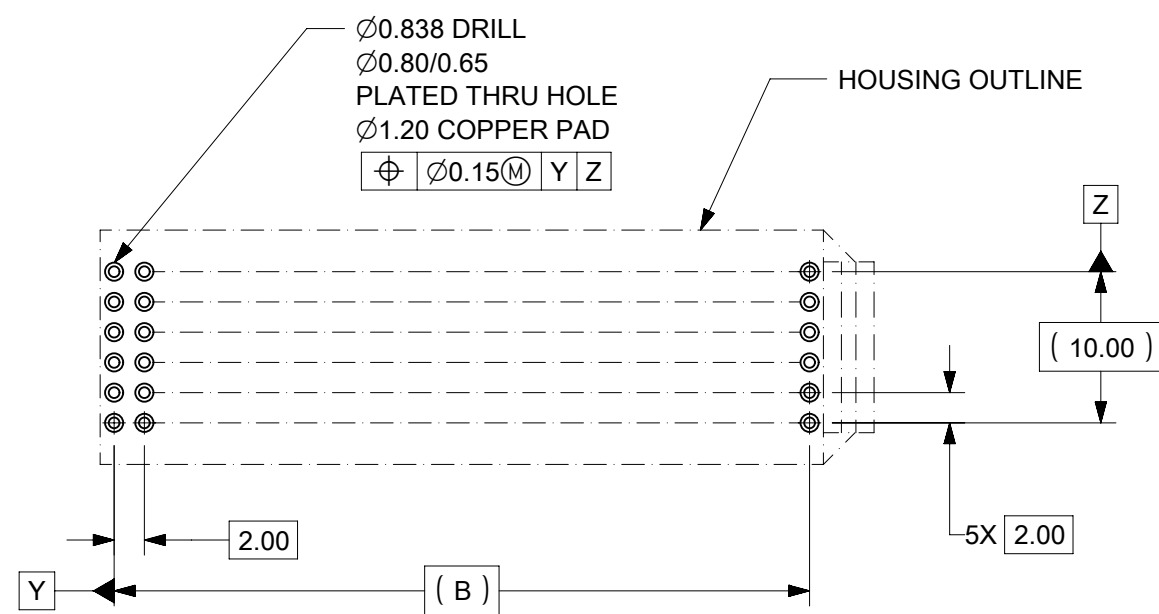


- NOTES:
- MATERIALS: HOUSING--LIQUID CRYSTAL POLYMER (LCP), GLASS FILLED, UL94V-0, COLOR: BLACK, TERMINAL: PHOSPHOR BRONZE.
 - FINISH: 0.75 MICROMETERS MINIMUM SELECTIVE GOLD (Au) IN MATING AREA
2.50 MICROMETERS MINIMUM SELECTIVE TIN (Sn) IN TAIL AREA
NICKEL (Ni) UNDERPLATE OVERALL.
 - THIS PART CONFORMS TO MOLEX PRODUCT SPECIFICATION PS-73670-9999.
 - FOR MIXED CONTACT MATING LENGTHS, CONSULT FACTORY FOR AVAILABILITY.
 - PACKAGE PER PK-70873-0818.
 - PARTS MARKED WITH PART NUMBER AND DATE CODE, ON EITHER SIDE, APPROXIMATELY WHERE SHOWN.



PCB LAYOUT : COMPONENT SIDE
RECOMMENDED PCB THICKNESS : 2.50 MIN

THIS DRAWING CONTAINS INFORMATION THAT IS PROPRIETARY TO MOLEX ELECTRONIC TECHNOLOGIES, LLC AND SHOULD NOT BE USED WITHOUT WRITTEN PERMISSION									
DIMENSION UNITS mm	SCALE 2:1	CURRENT REV DESC: REACTIVATE AND REMASTERED IN NX							
GENERAL TOLERANCES (UNLESS SPECIFIED)		EC NO: 682438							
ANGULAR TOL	± 0.5°	DRWN: SCV 2021/10/18			SALES ASSY HDM BACKPLANE END WALL OPTION SOLDER TAIL VERSION				
4 PLACES	±	CHKD: JMENDOZA01 2021/10/22			PRODUCT CUSTOMER DRAWING				
3 PLACES	±	APPR: JMENDOZA01 2021/10/22			DOCUMENT NUMBER				
2 PLACES	± 0.05	INITIAL REVISION:			SD-73943-001				
1 PLACE	± 0.1	DRWN: RFC_PLMIMP 2018/11/12			DOC TYPE		DOC PART		REVISION
0 PLACES	±	APPR: SREED 2003/05/15			PSD		001		J
DRAFT WHERE APPLICABLE MUST REMAIN WITHIN DIMENSIONS		THIRD ANGLE PROJECTION	DRAWING	SERIES	MATERIAL NUMBER	CUSTOMER		SHEET NUMBER	
			B-SIZE	73943	SEE TABLE	GENERAL MARKET		1 OF 2	

MATERIAL NUMBER ASSIGNMENT

73943- * * 0 0

NUMBER	CIRCUIT SIZE	DIM "A"	DIM "B"	DIM "H"
0	72	27.6	22.00	2.0
1	144	51.6	46.00	2.0
2	72	27.6	22.60	2.5
3	144	51.6	46.00	2.5
4	72	27.6	22.00	3.0
5	144	51.6	46.00	3.0
6	72	27.6	22.00	3.5
7	144	51.6	46.00	3.5

NUMBER	DIM "M"
0	5.0
1	5.5
2	6.0

THIS DRAWING CONTAINS INFORMATION THAT IS PROPRIETARY TO MOLEX ELECTRONIC TECHNOLOGIES, LLC AND SHOULD NOT BE USED WITHOUT WRITTEN PERMISSION									
DIMENSION UNITS	SCALE	CURRENT REV DESC: REACTIVATE AND REMASTERED IN NX							
mm	1:1								
GENERAL TOLERANCES (UNLESS SPECIFIED)		EC NO: 682438 DRWN: SCV CHKD: JMENDOZA01 APPR: JMENDOZA01 INITIAL REVISION: DRWN: RFC_PLMIMP APPR: SREED				SALES ASSY HDM BACKPLANE END WALL OPTION SOLDER TAIL VERSION			
ANGULAR TOL ± 0.5°						PRODUCT CUSTOMER DRAWING			
4 PLACES ±						2021/10/18		DOCUMENT NUMBER SD-73943-001 DOC TYPE PSD DOC PART 001 REVISION J	
3 PLACES ±						2021/10/22			
2 PLACES ± 0.05						2021/10/22			
1 PLACE ± 0.1						2018/11/12			
0 PLACES ±		2003/05/15							
DRAFT WHERE APPLICABLE MUST REMAIN WITHIN DIMENSIONS	THIRD ANGLE PROJECTION	DRAWING	SERIES	MATERIAL NUMBER	CUSTOMER	SHEET NUMBER			
		B-SIZE	73943	SEE TABLE	GENERAL MARKET	2 OF 2			