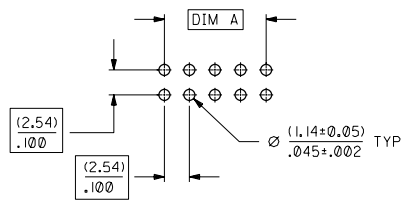
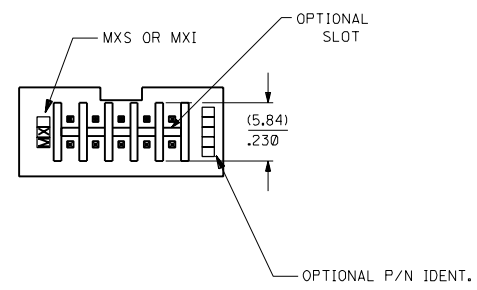
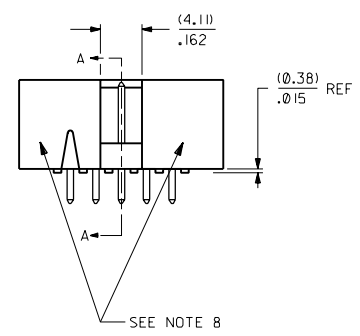
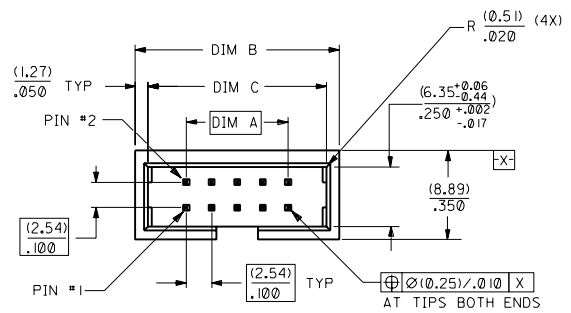


DWG. NO. SDA-87256-***41

CAD FILE

▽

DO NOT SCALE DRAWING

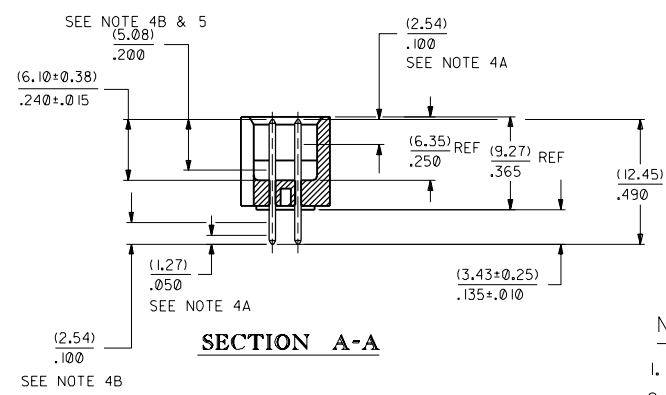


RECOMMENDED PCB PATTERN

PART NUMBER LEGEND

87256 - * * 4 1

CKT SIZES



SECTION A-A

PART NUMBERS	CKT SIZE	DIM A	DIM B	DIM C
A-87256-0441	04	(2.54)/.100	(12.70)/.500	(10.16)/.400
A-87256-0641	06	(5.08)/.200	(15.24)/.600	(12.70)/.500
A-87256-0841	08	(7.62)/.300	(17.78)/.700	(15.24)/.600
A-87256-1041	10	(10.16)/.400	(20.32)/.800	(17.78)/.700
A-87256-1241	12	(12.70)/.500	(22.86)/.900	(20.32)/.800
A-87256-1441	14	(15.24)/.600	(25.40)/.1.000	(22.86)/.900
A-87256-1641	16	(17.78)/.700	(27.94)/.1.100	(25.40)/.1.000
A-87256-2041	20	(22.86)/.900	(33.02)/.1.300	(30.48)/.1.200
A-87256-2441	24	(27.94)/.1.100	(38.10)/.1.500	(35.56)/.1.400
A-87256-2641	26	(30.48)/.1.200	(40.64)/.1.600	(38.10)/.1.500
A-87256-3041	30	(35.56)/.1.400	(45.72)/.1.800	(43.18)/.1.700
A-87256-3441	34	(40.64)/.1.600	(50.80)/.2.000	(48.26)/.1.900
A-87256-4041	40	(48.26)/.1.900	(58.42)/.2.300	(55.88)/.2.200
A-87256-4441	44	(53.34)/.2.100	(63.50)/.2.500	(60.96)/.2.400
A-87256-5041	50	(60.96)/.2.400	(71.12)/.2.800	(68.58)/.2.700
AX-87256-5641	56	(68.58)/.2.700	(78.74)/.3.100	(76.20)/.3.000
AX-87256-6041	60	(73.66)/.2.900	(83.82)/.3.300	(81.28)/.3.200
AX-87256-6441	64	(78.74)/.3.100	(88.90)/.3.500	(86.36)/.3.400
AX-87256-7241	72	(88.90)/.3.500	(99.06)/.3.900	(96.52)/.3.800

NOTES :

- PIN PUSHOUT FORCE (0.9072 KG)/2 LBS MIN.
- PRODUCT SPECIFICATION #70246 APPLIES.
- WAFER TO BE FLAT WITHIN (0.03MM/CM)/.0031N/IN.
- DIMENSIONS FOR PLATING LOCATIONS : A - MEASURE POINT FOR THICKNESS.
B - MINIMUM COVERAGE.
- GOLD END OF PIN UNLESS OVERALL PLATED.
- FINISH : (PER ES-88)
0.13um/5u" MIN. GOLD FLASH OVER 1.02um/40u" MIN PD/NI IN SELECTED AREA AND 2.5um/100u" MIN. TIN/LEAD IN SELECTED AREA OVER 1.27um/50u" MIN. NICKEL OVERALL.
- FOR ILLUSTRATION PURPOSE A 10 CKT IS SHOWN.
- OPTIONAL LOCATION FOR WEEK/YEAR STAMP IF REQUIRED BY CUSTOMER

(MM)
INCH

				MATERIAL : HSG : HIGH TEMP. THERMOPLASTICS 94V-0, COLOUR BEIGE PINS : (0.64)/.025 SQ CU ALLOY		 SHEET 1 OF 1	
				FINISH :		GENERAL TOLERANCES ± 0.20/.008	
EI	ADD UL RATING TO HSG MAT (ECN# S2002-0047)	-	SEE	010731	DWG. NO.:: SDA 87256-***41		
E	REVISED PER ECN S2486	-	ANG LING	920428	TITLE : C-GRID, SHROUDED WAFER WINDOW , WITHOUT END SLOTS & POLARIZATION PEGS.		
LTR	REVISION RECORD	ECN	DR	CHK	DATE	DRAWN BY KHO O L 900803 CHK'D BY NG K H 901203 SCALE 2:1	
REVISE ONLY ON CAD SYSTEM							