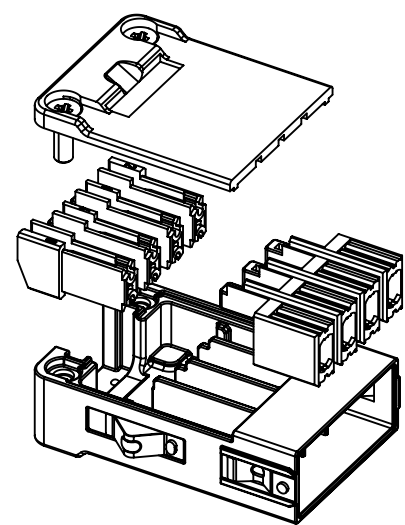


wiring acc. EIA/TIA 568A
view from termination side

brown	8•	•7	white/brown
blue	4•	•5	white/blue
orange	6•	•3	white/orange
green	2•	•1	white/green

wiring acc. EIA/TIA 568B
view from termination side

brown	8•	•7	white/brown
blue	4•	•5	white/blue
green	6•	•3	white/green
orange	2•	•1	white/orange



Kind of delivery: piece parts

	All Dimensions in mm Original Size DIN A4	Scale 2:1	Free size tol.		Ref.	
	All rights reserved Department EL PD - DE	Created by RULLKOETTER	Inspected by GERB	Standardisation RUETERA	Date 2018-07-24	State Final Release
HARTING Electric GmbH & Co. KG D-32339 Espelkamp		Title Han Gigabit insert male, (shield-GND)			Doc-Key / ECM-Nr. 100571255/UGD/007/E 500000137874	
		Type TB	Number 09 14 008 3012		Rev. E	Page 1/1