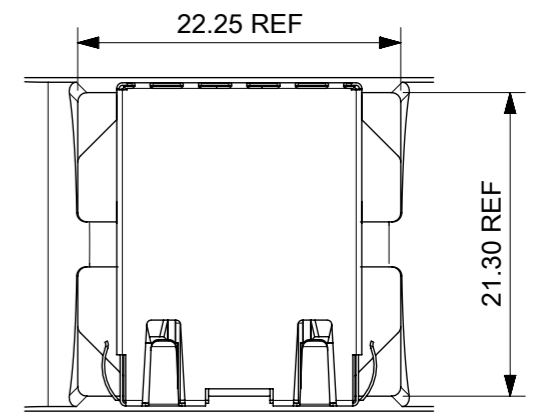
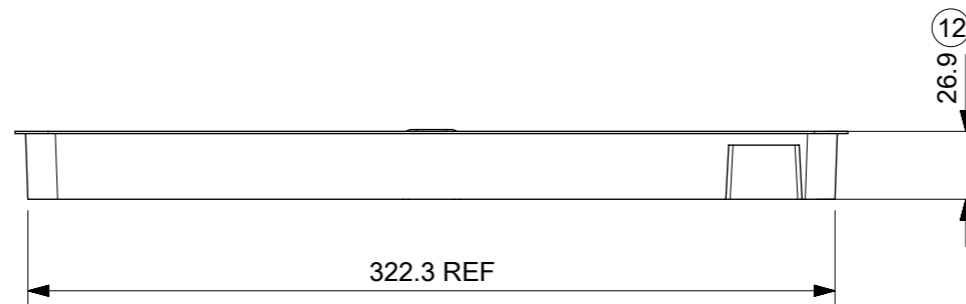
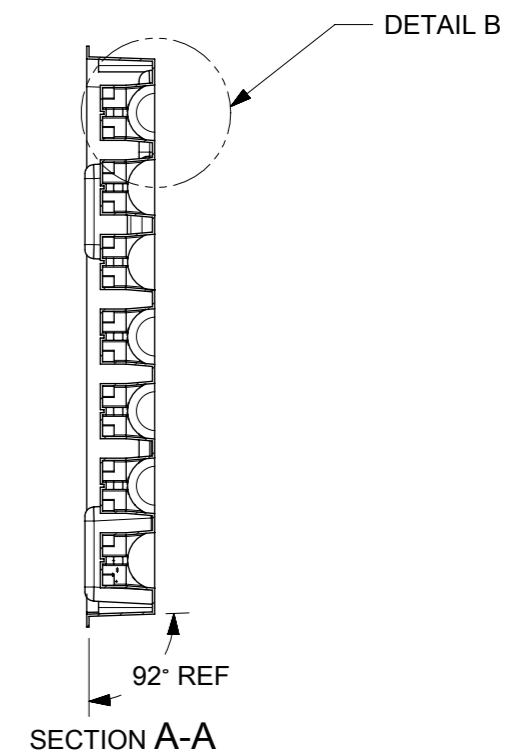
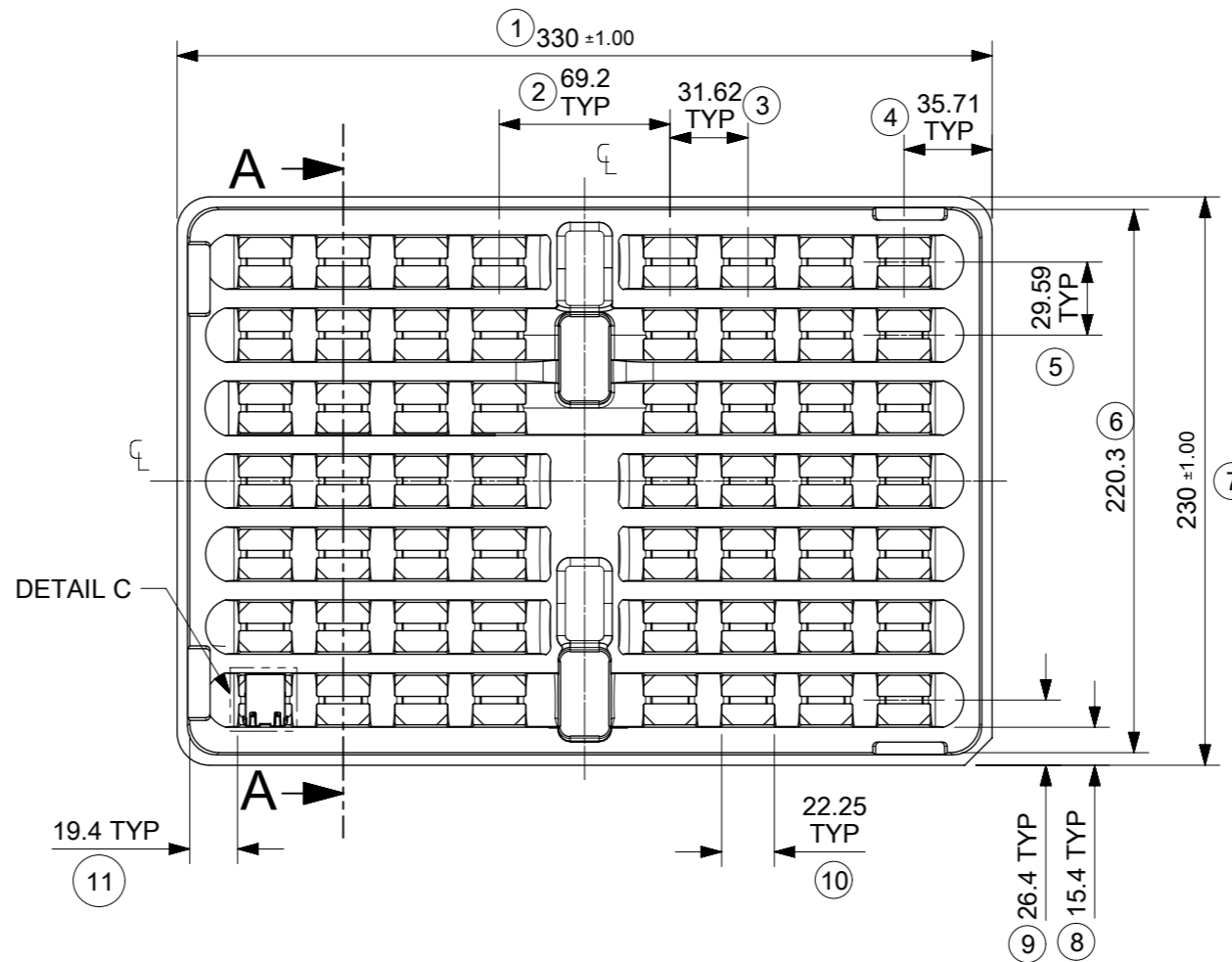


DETAIL B



DETAIL C  
SCALE 2:1

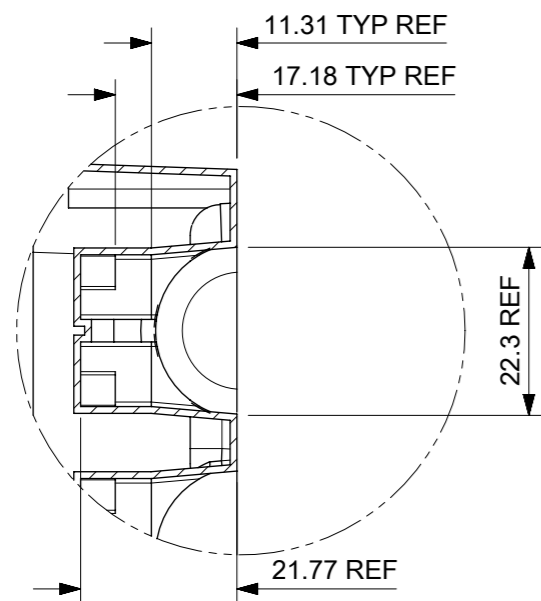


NOTES:

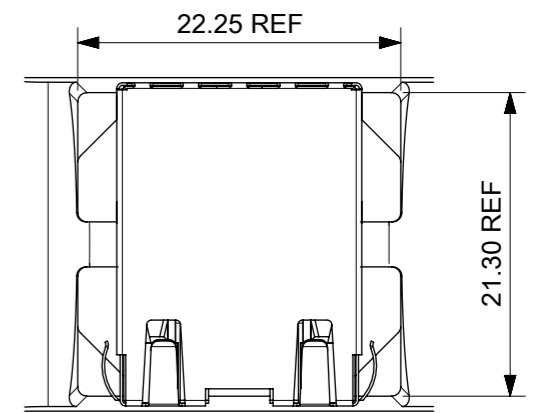
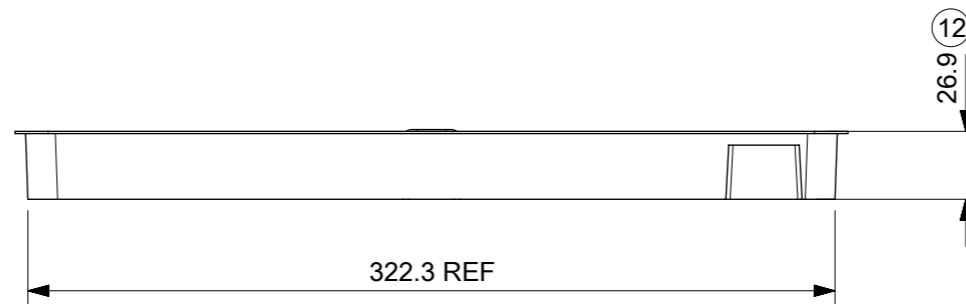
1. MATERIAL: PETA ANTISTATIC
2. THICKNESS: 0.9 mm ± 0.05 mm
3. COLOUR: CLEAR
4. BOW 2 mm MAXIMUM PER 330 mm
5. TWIST 2 mm MAXIMUM PER 330 mm
6. TRAY PART NO. AND RECYCLE LOGO TO BE CLEARLY MARKED ON TRAY  
RECYCLE LOGO SHOULD BE APPROPRIATE TO MATERIAL USED
7. WHERE RELEVANT, DIMENSIONS SHOULD BE SYMMETRICAL ABOUT THE CENTRELINE
8. GENERAL PROFILE TOLERANCE  $\overline{\cup}$  0.40 ON NON DIMENSIONED FEATURES

LAST INSPECTION NUMBER USED: 12

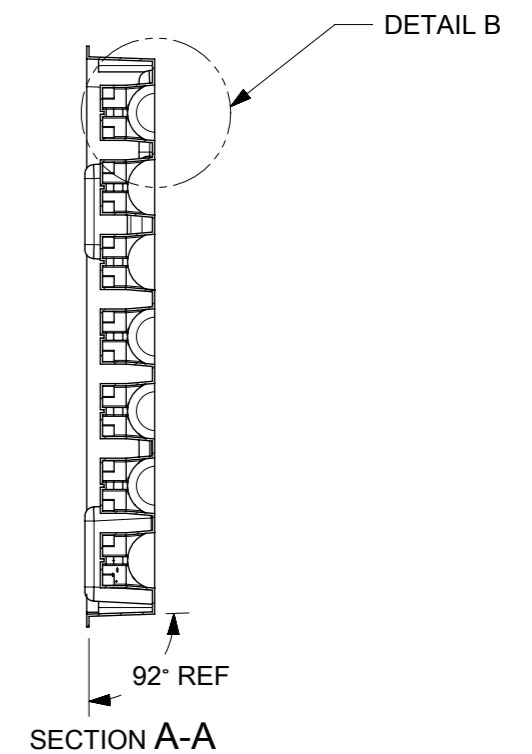
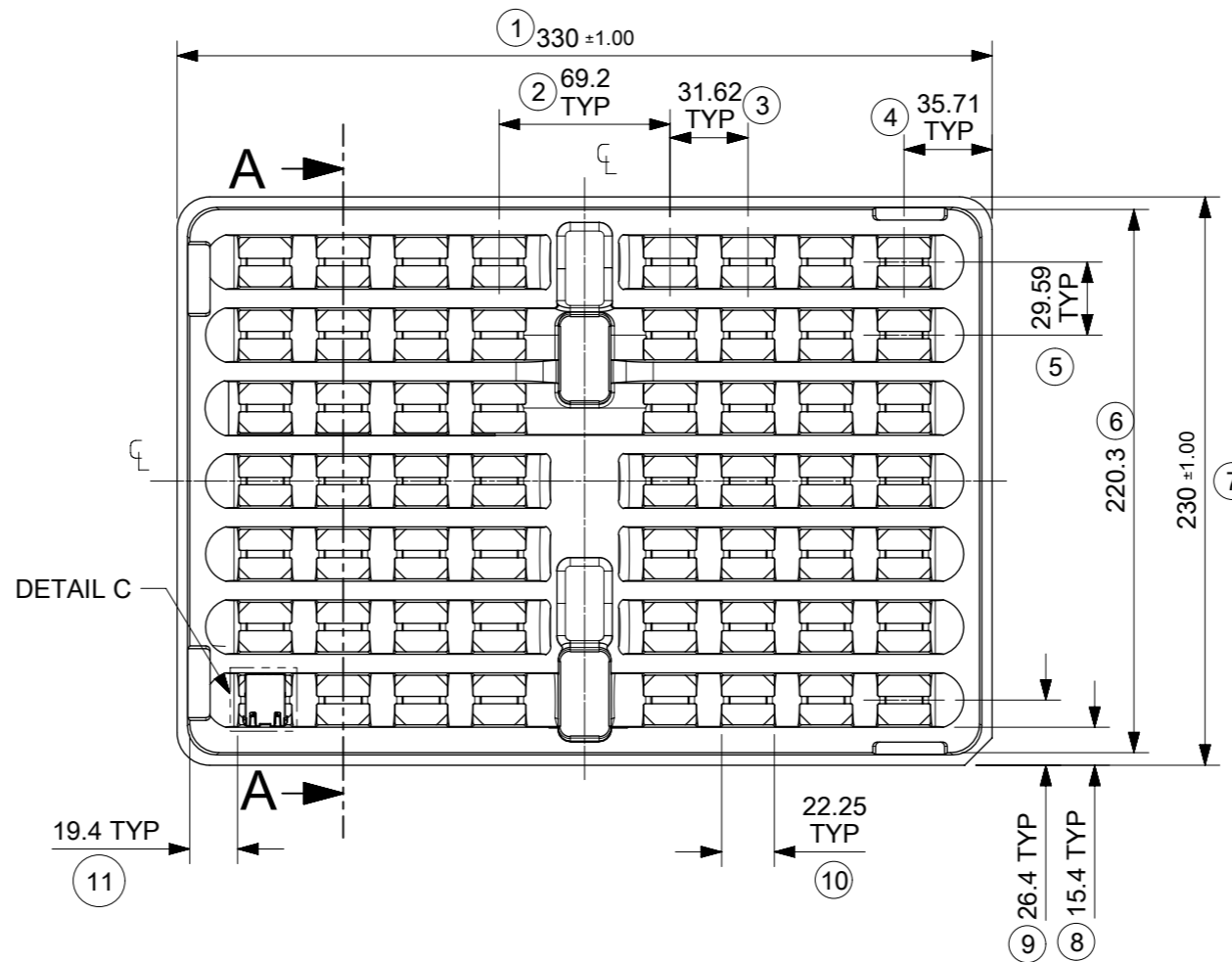
|   |  |                        |  |   |  |                |  |                                  |  |
|---|--|------------------------|--|---|--|----------------|--|----------------------------------|--|
| THIS DRAWING CONTAINS INFORMATION THAT IS PROPRIETARY TO MOLEX ELECTRONIC TECHNOLOGIES, LLC AND SHOULD NOT BE USED WITHOUT WRITTEN PERMISSION |  |                        |  |   |  |                |  |                                  |  |
| DIMENSION UNITS   |  | SCALE                  |  | CURRENT REV DESC: REMOVED<br>REFERENCE TO QUANTITY OF TRAYS PER STACK |  |                |  | <b>molex</b>                     |  |
| mm  |  | 1:3                    |  |   |  |                |  |                                  |  |
| GENERAL TOLERANCES (UNLESS SPECIFIED)   |  |                        |  | EC NO: 602124   |  |                |  | MXMAG STANDARD AND INVERTED TRAY |  |
| ANGULAR TOL ± 1.0°  |  |                        |  | DRWN: DSHEA   |  | 2018/09/07     |  |                                  |  |
| 4 PLACES ±  |  |                        |  | CHK'D: DBYRNES  |  | 2019/01/25     |  |                                  |  |
| 3 PLACES ±  |  |                        |  | APPR: DBYRNES   |  | 2019/01/25     |  |                                  |  |
| 2 PLACES ± 0.2  |  |                        |  | INITIAL REVISION:   |  |                |  | PRODUCT CUSTOMER DRAWING         |  |
| 1 PLACE ± 0.5   |  |                        |  | DRWN: KREILLY   |  | 2016/05/06     |  | DOCUMENT NUMBER                  |  |
| 0 PLACES ±  |  |                        |  | APPR: STGRIFFIN   |  | 2016/12/07     |  | 934620003                        |  |
| DRAFT WHERE APPLICABLE MUST REMAIN WITHIN DIMENSIONS  |  | THIRD ANGLE PROJECTION |  | DRAWING   |  | SERIES         |  | MATERIAL NUMBER                  |  |
|   |  |                        |  | A3-SIZE   |  | 93462          |  | 990250150                        |  |
|   |  |                        |  | CUSTOMER  |  | GENERAL MARKET |  | SHEET NUMBER                     |  |
|   |  |                        |  |   |  |                |  | 1 OF 1                           |  |



DETAIL B



DETAIL C  
SCALE 2:1



NOTES:

1. MATERIAL: PETA ANTISTATIC
2. THICKNESS: 0.9 mm ± 0.05 mm
3. COLOUR: CLEAR
4. BOW 2 mm MAXIMUM PER 330 mm
5. TWIST 2 mm MAXIMUM PER 330 mm
6. TRAY PART NO. AND RECYCLE LOGO TO BE CLEARLY MARKED ON TRAY  
RECYCLE LOGO SHOULD BE APPROPRIATE TO MATERIAL USED
7. WHERE RELEVANT, DIMENSIONS SHOULD BE SYMMETRICAL ABOUT THE CENTRELINE
8. GENERAL PROFILE TOLERANCE  $\overline{\cup}$  0.40 ON NON DIMENSIONED FEATURES

LAST INSPECTION NUMBER USED: 12

|   |  |                        |  |   |  |                |  |                                  |  |
|---|--|------------------------|--|---|--|----------------|--|----------------------------------|--|
| THIS DRAWING CONTAINS INFORMATION THAT IS PROPRIETARY TO MOLEX ELECTRONIC TECHNOLOGIES, LLC AND SHOULD NOT BE USED WITHOUT WRITTEN PERMISSION |  |                        |  |   |  |                |  |                                  |  |
| DIMENSION UNITS   |  | SCALE                  |  | CURRENT REV DESC: REMOVED<br>REFERENCE TO QUANTITY OF TRAYS PER STACK |  |                |  | <b>molex</b>                     |  |
| mm  |  | 1:3                    |  |   |  |                |  |                                  |  |
| GENERAL TOLERANCES (UNLESS SPECIFIED)   |  |                        |  | EC NO: 602124   |  |                |  | MXMAG STANDARD AND INVERTED TRAY |  |
| ANGULAR TOL ± 1.0°  |  |                        |  | DRWN: DSHEA   |  | 2018/09/07     |  |                                  |  |
| 4 PLACES ±  |  |                        |  | CHK'D: DBYRNES  |  | 2019/01/25     |  |                                  |  |
| 3 PLACES ±  |  |                        |  | APPR: DBYRNES   |  | 2019/01/25     |  |                                  |  |
| 2 PLACES ± 0.2  |  |                        |  | INITIAL REVISION:   |  |                |  | PRODUCT CUSTOMER DRAWING         |  |
| 1 PLACE ± 0.5   |  |                        |  | DRWN: KREILLY   |  | 2016/05/06     |  | DOCUMENT NUMBER                  |  |
| 0 PLACES ±  |  |                        |  | APPR: STGRIFFIN   |  | 2016/12/07     |  | 934620003                        |  |
| DRAFT WHERE APPLICABLE MUST REMAIN WITHIN DIMENSIONS  |  | THIRD ANGLE PROJECTION |  | DRAWING   |  | SERIES         |  | MATERIAL NUMBER                  |  |
|   |  |                        |  | A3-SIZE   |  | 93462          |  | 990250150                        |  |
|   |  |                        |  | CUSTOMER  |  | GENERAL MARKET |  | SHEET NUMBER                     |  |
|   |  |                        |  |   |  |                |  | 1 OF 1                           |  |