

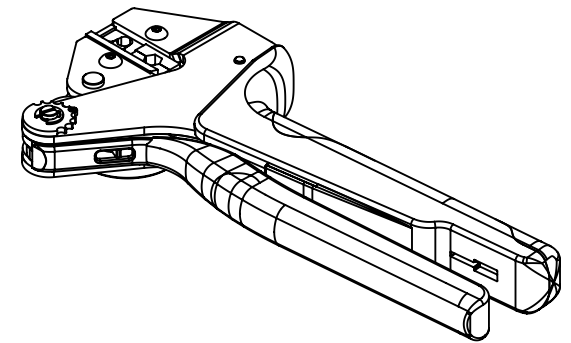
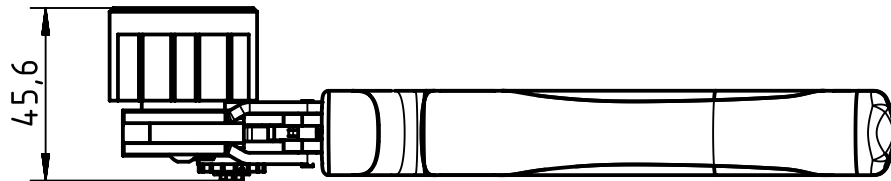
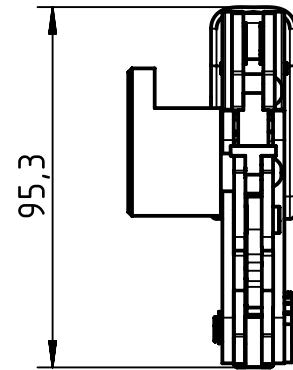
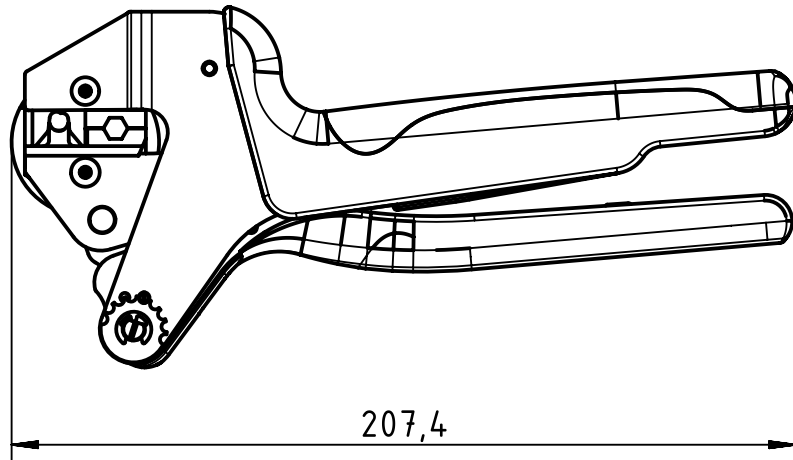
1 2 3 4 5 6

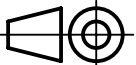

A

B

C

D



|  |  |                |                 |            |                                      |
|--|--|----------------|-----------------|------------|--------------------------------------|
|  All Dimensions in mm<br>Original Size DIN A4 | Scale                                    | Free size tol. |                 |            | Ref.                                 |
|  | 1:2                                      |                |                 |            | Sub.                                 |
|  All rights reserved<br>Department EL PD - DE | Created by                               | Inspected by   | Standardisation | Date       | State                                |
|  | HELLMANN                                 | SUNDERMEIER    | RUETERA         | 2017-11-29 | Final Release                        |
| HARTING Electric GmbH & Co. KG<br>D-32339 Espelkamp  | Title                                    |                |                 |            | Doc-Key / ECM-Nr.                    |
|  | Han M23 Crimping tool for shielding slee |                |                 |            | 100751815/UGD/001/A<br>5000001284.02 |
| Type   | Number                                   | Rev.           |                 |            | Page                                 |
| TB   | 09 99 000 0898                           | A              |                 |            | 1/1                                  |