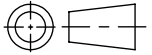
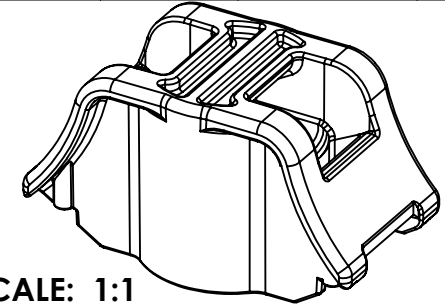
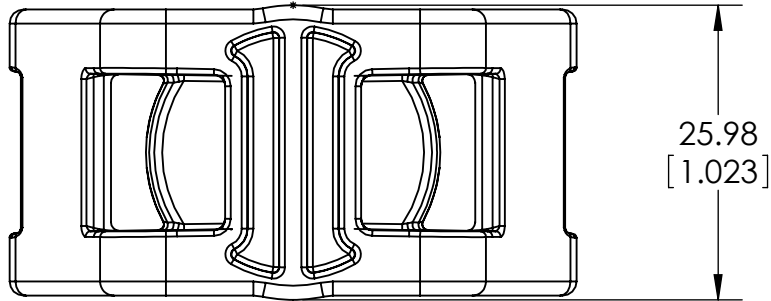


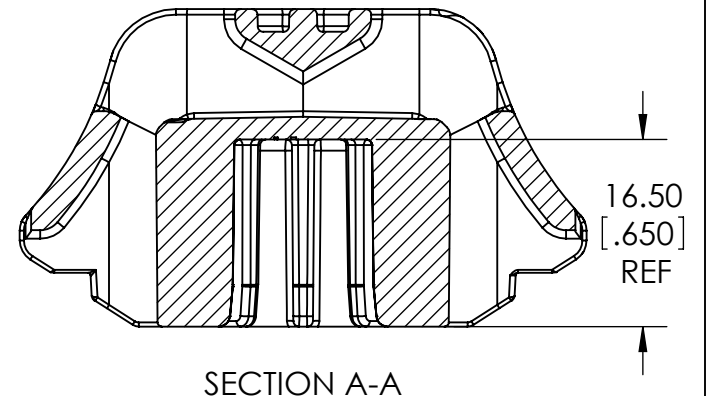
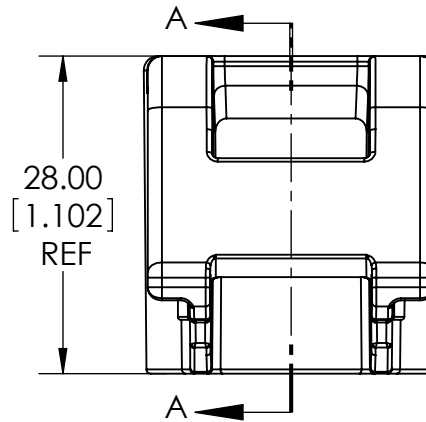
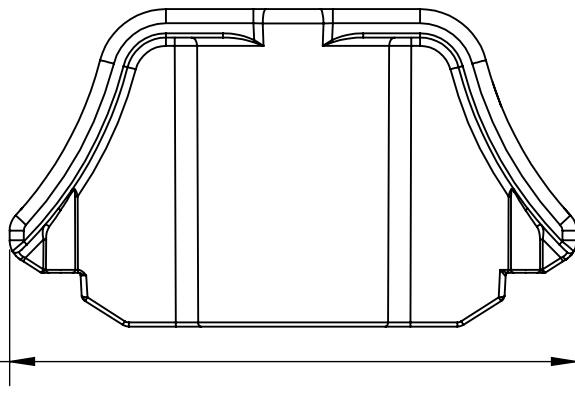
SW2010



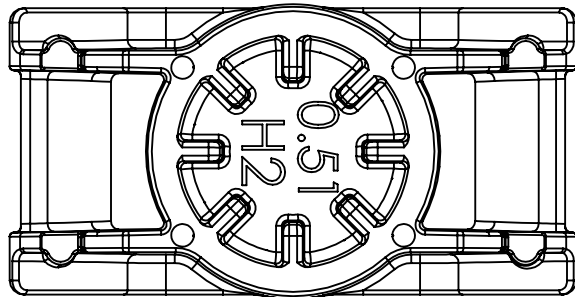
Revision level		Revision Record	Changed	Date	Approved	Date
Drawing	Part					
03	A	SEE ECN# 011989	MHT	12/15/2011	MHT	12/15/2011



SCALE: 1:1



SECTION A-A



Material
PA66HIRHSUV

Units millimeters

Dimension without tolerances details to:

- .xxxx = ±.250
- .xxx = ±.50
- .xx = ±1.0
- .x = ±2.0
- None = ±1.0
- ∠ = ±0.5°



The copyright of this drawing is reserved by HellermannTyton. It is issued on condition that it is not reproduced, copied, or disclosed to a third party, either wholly or in part, without the consent of HellermannTyton.

Drawn MHT 10/07/2011

Approved MHT 12/15/2011

HellermannTyton

North America
Email: corp@htamericas.com
Web: www.hellermann.tyton.com

Article/Type-No HM6A

Title 0.510 IN SPIN-ON H-Mount

Drawing-No Production : Phase

11-0588-005-CSU

Scale 3:2

Project Number
PRP11-0588

Format AH

Sheet 1/1