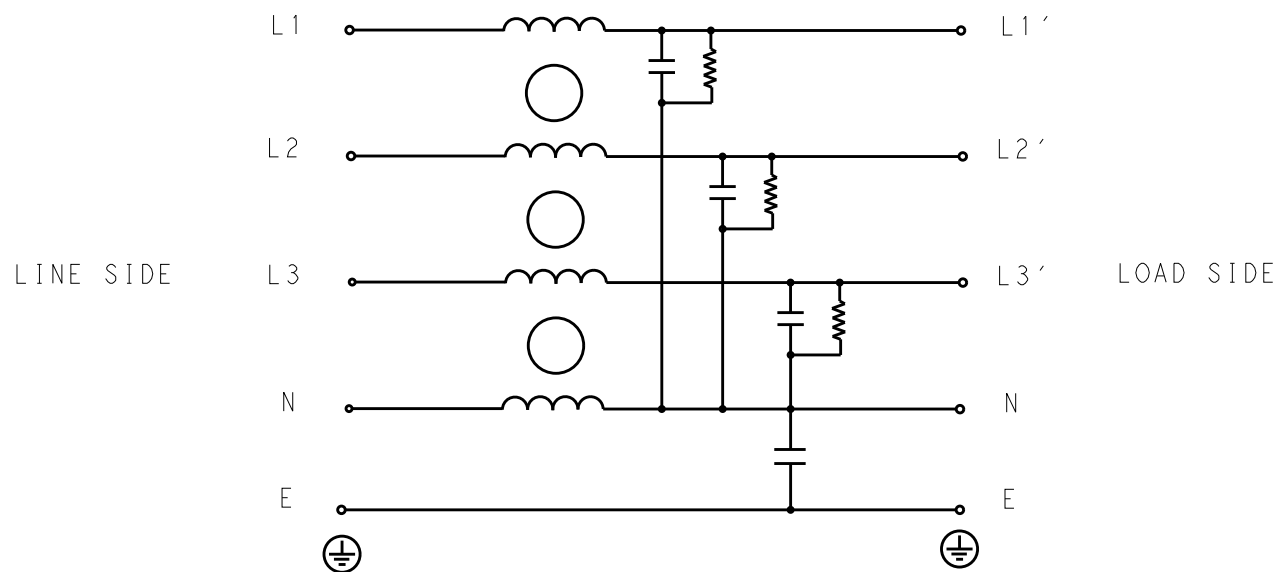


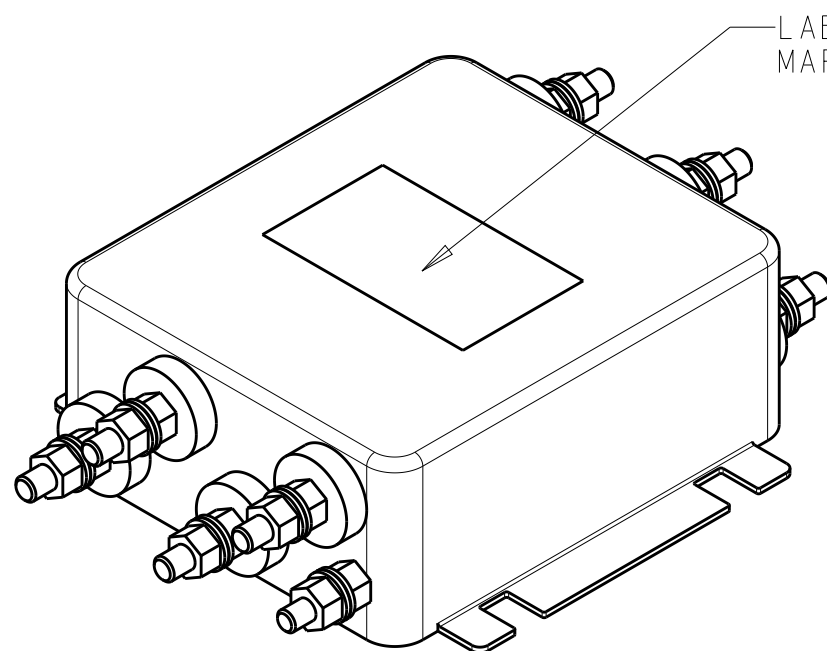
| P | LTR | DESCRIPTION | DATE | DWN | APVD |
|---|-----|-----------------|-----------|-----|------|
| | B | INITIAL RELEASE | 07JUL2020 | SB | LI |
| | | | | | |
| | | | | | |



SCHEMATIC

TYPICAL INSERTION LOSS
COMMON MODE 50/50Ω; DIFFERENTIAL MODE 50/50Ω

| MHz | 0.01 | 0.05 | 0.15 | 0.5 | 1 | 3 | 5 | 10 | 30 |
|-----|------|------|------|-----|----|----|----|----|----|
| CM | 4 | 4 | 9 | 20 | 38 | 36 | 46 | 30 | 23 |
| DM | 6 | 8 | 12 | 16 | 30 | 33 | 40 | 38 | 47 |



LABEL TO TE MARKING SPECIFICATION

SAFETY ORGANIZATIONS

THIS FILTER WILL BE FORMALLY RECOGNIZED, CERTIFIED OR APPROVED BY THE LISTED AGENCY. THEREFORE, ALL TEST/REQUIREMENTS SPECIFIED IN THE LATEST REVISION OF THE FOLLOWING AGENCY STANDARDS WILL BE MET:

UL RECOGNIZED* 15A 440V 50Hz/60Hz 40°C
 CSA CERTIFIED** 15A 440V 50Hz/60Hz 40°C
 *31 JULY 2020 ; **31 AUGUST 2020

OPERATING SPECIFICATION

LINE CURRENT/VOLTAGE: 15A, 440VAC
 LINE FREQUENCY: 50/60Hz

MAXIMUM LEAKAGE CURRENT: 3mA @ 230VAC, 50Hz

OPERATING AMBIENT TEMPERATURE RANGE @ RATED CURRENT: -25°C TO +40°C

IN AN AMBIENT, T_a, HIGHER THAN 40°C, THE MAXIMUM OPERATING CURRENT, I_o, IS AS FOLLOWS:

$$I_o = I_r \sqrt{\frac{85 - T_a}{45}}$$

RELIABILITY SPECIFICATIONS

STORAGE TEMPERATURE: -40°C TO +85°C
 HUMIDITY: 21 DAYS @ 40°C AND 95% RH

TEST SPECIFICATIONS

INDUCTANCE, NOMINAL: 0.3mH

CAPACITANCE @ 1kHz
 NEUTRAL TO GROUND, NOMINAL: 22nF
 LINE TO NEUTRAL, NOMINAL: 100nF

DISCHARGE RESISTOR

L/G I.R. 2MΩ 1W
 L/L I.R. 2MΩ 1W
 L/N I.R. 1MΩ 1W
 N/G I.R. 680kΩ 1W
 IR (NO DISCHARGE RESISTOR) 20°C, 50% RH AND 100VDC, MIN: 6MΩ

RECOMMENDED RECEIVING INSPECITON HIPOT

LINE TO GROUND FOR 1 MINUTE: 2632VDC
 LINE TO LINE FOR 1 MINUTE: 1892VDC
 LINE TO NEUTRAL FOR 1 MINUTE: 1093VDC

FILTER APPROVAL

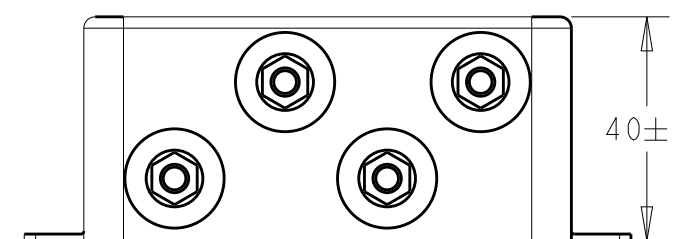
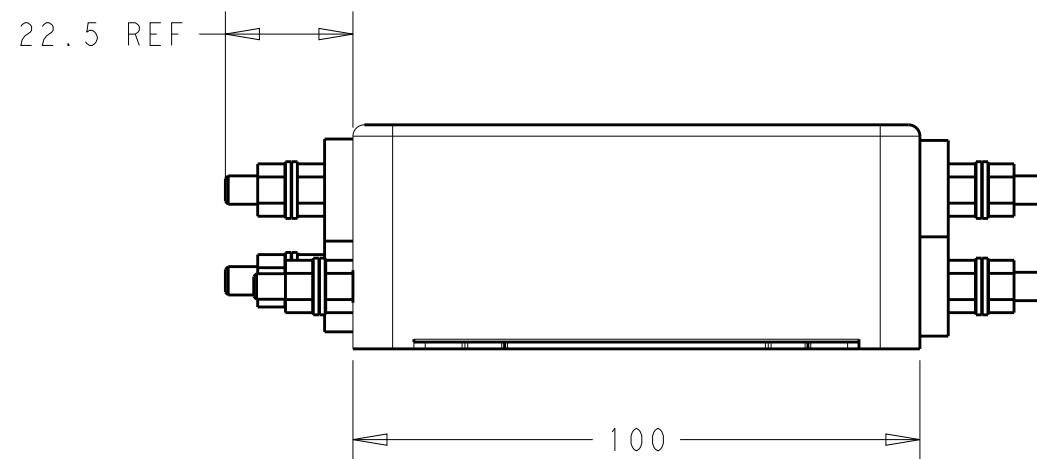
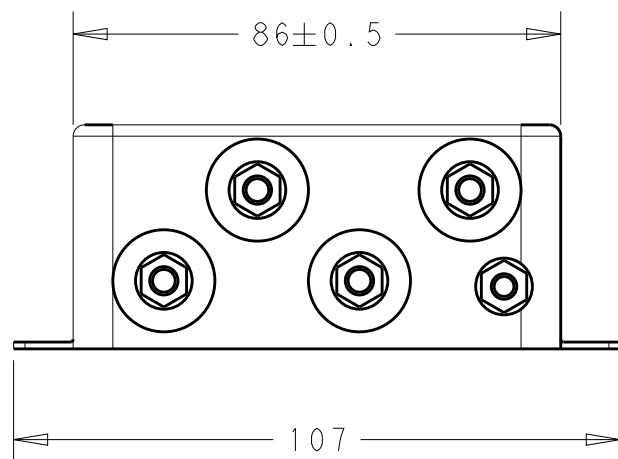
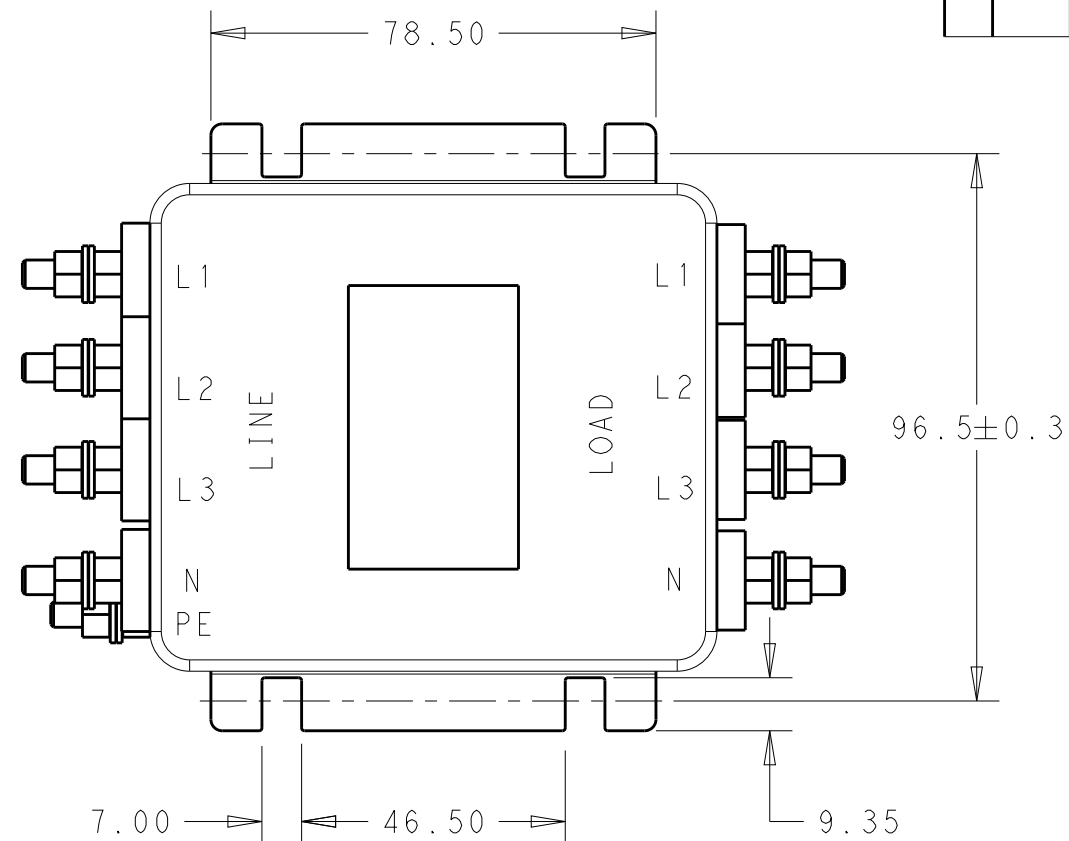
THE BEST WAY TO SELECT AND QUALIFY A FILTER IS FOR YOUR ENGINEERING TO TEST THE UNIT IN YOUR EQUIPMENT.

| | | | | | |
|--|--|--|-----------------|-------------------|--|
| THIS DRAWING IS A CONTROLLED DOCUMENT. | | DWN | 20FEB2020 | | |
| | | CHK | 20FEB2020 | | |
| | | APVD | 20FEB2020 | | |
| | | NAME | LEO IRUDHAYARAJ | | |
| DIMENSIONS: | | TOLERANCES UNLESS OTHERWISE SPECIFIED: | | NAME | |
| mm | | 0 PLC ±- | | POWER LINE FILTER | |
| | | 1 PLC ±0.5 | | 15KES6AFPW | |
| | | 2 PLC ±0.40 | | SIZE | |
| | | 3 PLC ±0.130 | | CAGE CODE | |
| | | 4 PLC ±0.0500 | | DRAWING NO | |
| | | ANGLES ±- | | RESTRICTED TO | |
| MATERIAL | | FINISH | | A300779 | |
| - | | - | | C=1-1609966-4 | |
| - | | - | | SCALE | |
| | | CUSTOMER DRAWING | | 3:4 | |
| | | | | SHEET | |
| | | | | 1 OF 2 | |
| | | | | REV | |
| | | | | B | |

NOTE 1 GROUND CONNECTION:
DO NOT LOOSEN INNER GROUND NUTS.
TORQUE OUTER TERMINAL /GROUND NUTS: 2Nm

NOTE 2 INPUT OUTPUT CONNECTION TERMINAL
AWG SIZE: XXX
THREADED BOLT SIZE FOR TERMINAL: M5
THREADED BOLT SIZE FOR GROUND: M5

| P | LTR | DESCRIPTION | DATE | DWN | APVD |
|---|-----|-------------|------|-----|------|
| | | SEE SHEET 1 | | | |
| | | | | | |
| | | | | | |



| | | | | | | | | | | | | | | | | |
|--|---------|--------------------------------------|---|--------------------|-----------------------------|-------|-------|-------|--------|-------|---------|--------|----|-------------------|--------------------|--|
| THIS DRAWING IS A CONTROLLED DOCUMENT. | | DWN SHRICHARANA B 20FEB2020 | | | | | | | | | | | | | | |
| DIMENSIONS: mm | | CHK LEO IRUDHAYARAJ 20FEB2020 | | | | | | | | | | | | | | |
| TOLERANCES UNLESS OTHERWISE SPECIFIED: | | APVD LEO IRUDHAYARAJ 20FEB2020 | NAME POWER LINE FILTER 15KES6AFPW | | | | | | | | | | | | | |
| <table border="1"> <tr> <td>0 PLC</td> <td>±-</td> </tr> <tr> <td>1 PLC</td> <td>±0.5</td> </tr> <tr> <td>2 PLC</td> <td>±0.40</td> </tr> <tr> <td>3 PLC</td> <td>±0.130</td> </tr> <tr> <td>4 PLC</td> <td>±0.0500</td> </tr> <tr> <td>ANGLES</td> <td>±-</td> </tr> </table> | | 0 PLC | ±- | 1 PLC | ±0.5 | 2 PLC | ±0.40 | 3 PLC | ±0.130 | 4 PLC | ±0.0500 | ANGLES | ±- | PRODUCT SPEC - | RESTRICTED TO - | |
| 0 PLC | ±- | | | | | | | | | | | | | | | |
| 1 PLC | ±0.5 | | | | | | | | | | | | | | | |
| 2 PLC | ±0.40 | | | | | | | | | | | | | | | |
| 3 PLC | ±0.130 | | | | | | | | | | | | | | | |
| 4 PLC | ±0.0500 | | | | | | | | | | | | | | | |
| ANGLES | ±- | | | | | | | | | | | | | | | |
| MATERIAL - | | APPLICATION SPEC - | SIZE A3 | CAGE CODE 00779 | DRAWING NO C-1-1609966-4 | | | | | | | | | | | |
| FINISH - | | WEIGHT - | SCALE 3:4 | | SHEET 2 OF 2 | | | | | | | | | | | |
| | | CUSTOMER DRAWING | REV B | | | | | | | | | | | | | |