


| | | | |
|---------|--|----------------------|---|
| PCN | Product Change Notification | De-23-02-0668 |  |
| Product | SMC SKV IDC Female 32 / 40 / 68 pin versions | Date of Publication: | |
| | | 27.02.2023 | |

Title: SMC cable assembled IDC with optimized casing locking latch

Type of Notification: major (A) change

Type of Change:

- Design
- Material
- Other
- Packing / Shipping / Labeling
- Product Marketing
- Product termination
- Production location
- Production process
- Specification
- Test / Testing

Effective date:

01.03.2024

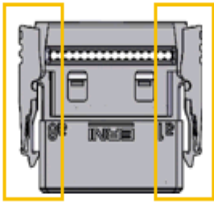
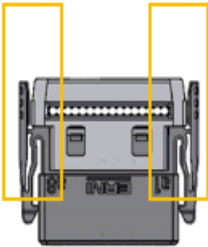
Originator: Thomas Oberschelp/BEE/Technik/EE/de/ERNI , +49 7166 50-,

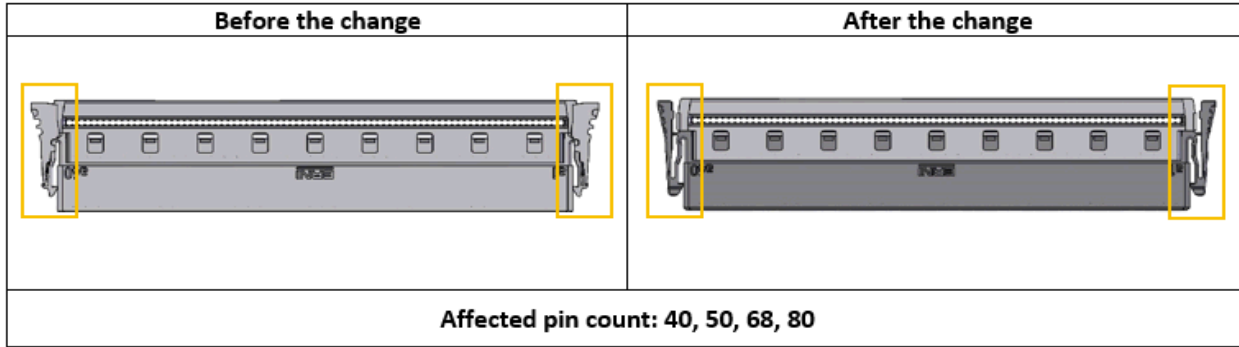
Reason and description of change:

Valued Customer,

In order to enhance the performance of SMC product reliability ERNI has decided to optimize the design of the housing locking latch of the IDC female connector.

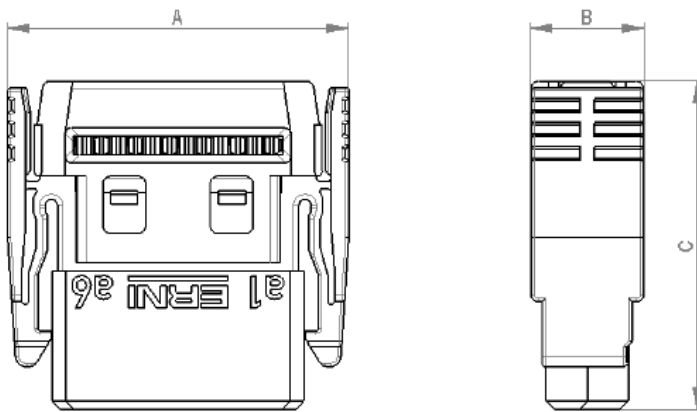
For this reason, the geometry of the housing locking latch of the SMC IDC female connector has been optimized as follows, below pictures demonstrate the change of locking latch marked in orange.

| Before the change | After the change |
|---|--|
|  |  |
| <p>Affected pin count: 12, 16, 20,26, 32</p> | |



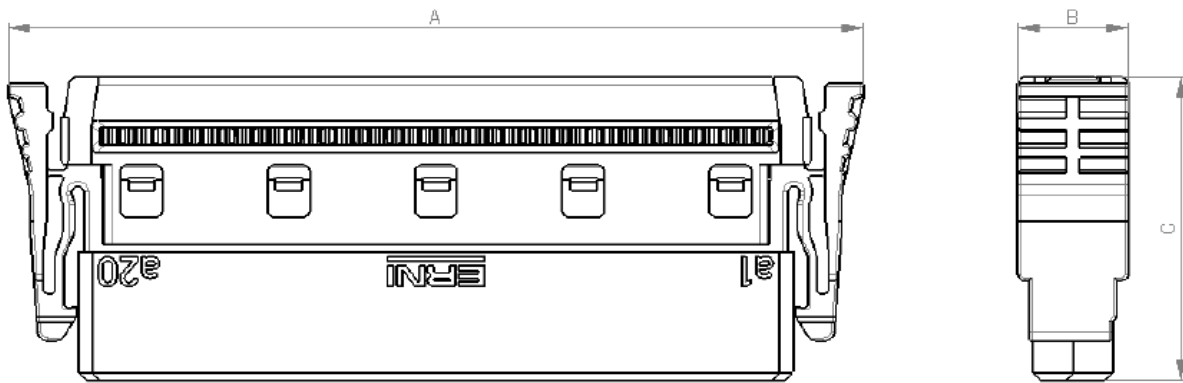
The change enhances the insertion behavior. As a result, the new designed housing locking latch offers a higher housing retention force. Additionally, the design upgrade also improves the haptic and handling of the IDC female connector. With regards to the design of the female housing, the size of the housing width has been kept the same as before.

Design 12-pin up to 32-pin



| Pin count | Dimension A [mm] (nominal) | | Dimension B [mm] (nominal) | | Dimension C [mm] (nominal) | |
|-----------|----------------------------|--------------|----------------------------|--------------|----------------------------|--------------|
| | Before change | After change | Before change | After change | Before change | After change |
| 12 | 12,69 | 12,70 | 4,20 | 4,20 | 12,30 | 12,30 |
| 16 | 15,23 | 15,24 | 4,20 | 4,20 | 12,30 | 12,30 |
| 20 | 17,77 | 17,78 | 4,20 | 4,20 | 12,30 | 12,30 |
| 26 | 21,58 | 21,59 | 4,20 | 4,20 | 12,30 | 12,30 |
| 32 | 25,39 | 25,40 | 4,20 | 4,20 | 12,30 | 12,30 |

Design 40-pin up to 80-pin



| Pin count | Dimension A [mm] (nominal) | | Dimension B [mm] (nominal) | | Dimension C [mm] (nominal) | |
|-----------|----------------------------|--------------|----------------------------|--------------|----------------------------|--------------|
| | Before change | After change | Before change | After change | Before change | After change |
| 40 | 32,53 | 32,52 | 4,20 | 4,20 | 12,30 | 12,30 |
| 50 | 38,88 | 38,87 | 4,20 | 4,20 | 12,30 | 12,30 |
| 68 | 50,31 | 50,30 | 4,20 | 4,20 | 12,30 | 12,30 |
| 80 | 57,93 | 57,92 | 4,20 | 4,20 | 12,30 | 12,30 |

The new design is fully compatible with the old design. It doesn't require any change to the male connector.

This change will ensure reliability of the product and has no impact on fit or function of these products. It will be operated without a part number change.

The article numbers listed in this PCN are the 32, 40 and 68 pin IDC female connector versions. This change will be effective from March 1st 2024 on.

These change will be operated without partnumber change.

Products Affected / Types

SMC SKV IDC Female

Part.-No:

| | | | | |
|--------|--------|--------|--------|--------|
| 005220 | 163351 | 166394 | 166530 | 166792 |
| 166803 | 166898 | 166899 | 166974 | 167050 |
| 167399 | 167604 | 167758 | 167826 | 167877 |
| 167883 | 167974 | 168222 | 168327 | 168328 |
| 168329 | 168330 | 168331 | 168332 | 168333 |
| 168335 | 168337 | 168338 | 168339 | 168340 |
| 168341 | 168342 | 168343 | 168344 | 168345 |
| 168348 | 168354 | 168355 | 168368 | 168386 |
| 168387 | 168422 | 168423 | 168451 | 168516 |

| | | | | |
|--------|--------|--------|--------|--------|
| 168517 | 168518 | 168519 | 168520 | 168521 |
| 168522 | 168523 | 168524 | 168525 | 168526 |
| 168527 | 168771 | 169072 | 169104 | 169268 |
| 169575 | 169868 | 169869 | 169870 | 169871 |
| 169872 | 169873 | 170238 | 170304 | 170379 |
| 170380 | 170381 | 170382 | 170399 | 170400 |
| 170401 | 170508 | 170518 | 170519 | 170552 |
| 170626 | 170719 | 170720 | 175216 | 175224 |
| 175226 | 175393 | 175405 | 175407 | 175464 |
| 175614 | 175793 | 175859 | 176183 | 176279 |
| 176350 | 176442 | 176493 | 176494 | 176495 |
| 176560 | 176563 | 176564 | 176595 | 176596 |
| 176684 | 176865 | 176868 | 176891 | 176915 |
| 176947 | 176998 | 177045 | 177166 | 177180 |
| 177186 | 177201 | 177240 | 177278 | 177318 |
| 177544 | 177548 | 177549 | 177578 | 177738 |
| 177749 | 177830 | 177869 | 177927 | 177934 |
| 177937 | 177939 | 177943 | 177944 | 177945 |
| 177946 | 177951 | 177952 | 178143 | 178170 |
| 178172 | 178187 | 178210 | 178211 | 178354 |
| 178415 | 178466 | 178488 | 178578 | 178586 |
| 178587 | 178588 | 178625 | 178685 | 178729 |
| 178794 | 193888 | 193889 | 193890 | 373889 |
| 373999 | 838029 | 838032 | 838033 | 838034 |
| 838066 | 838106 | 838111 | 838119 | 838121 |
| 838122 | 838125 | 838133 | 838139 | 838142 |
| 838145 | 838146 | 838147 | 838149 | 838152 |
| 838156 | 838157 | 838160 | 838174 | 838177 |
| 838180 | 838184 | 838229 | 838242 | 838243 |
| 838244 | 838253 | 838255 | 838263 | 838264 |
| 838266 | 838277 | 838278 | 838289 | 838292 |
| 838296 | 838332 | 838333 | 838340 | 838345 |
| 838346 | 838348 | 838349 | 838350 | 838360 |
| 838361 | 838363 | 838364 | 838365 | 838374 |
| 838375 | 838377 | 838379 | 838380 | 838384 |
| 838397 | 838398 | 838406 | 838421 | 838426 |
| 838428 | 838429 | 838433 | 838446 | 838455 |
| 838459 | 838461 | 838466 | 838477 | 838478 |
| 838479 | 838483 | 838501 | 838502 | 838510 |
| 838512 | 838513 | 838514 | 838517 | 838527 |
| 838533 | 838534 | 838546 | 838560 | 838562 |
| 838564 | 838567 | 838575 | 838576 | 838577 |
| 838583 | 838586 | 838593 | 843866 | 854026 |

Reference Documents available at :

<http://www.erni.com>

Additional information, samples etc., on request

PCN Revision History:

| Date of Revision: | Revision Number: | Reason: |
|-------------------|------------------|---------|
| | | |