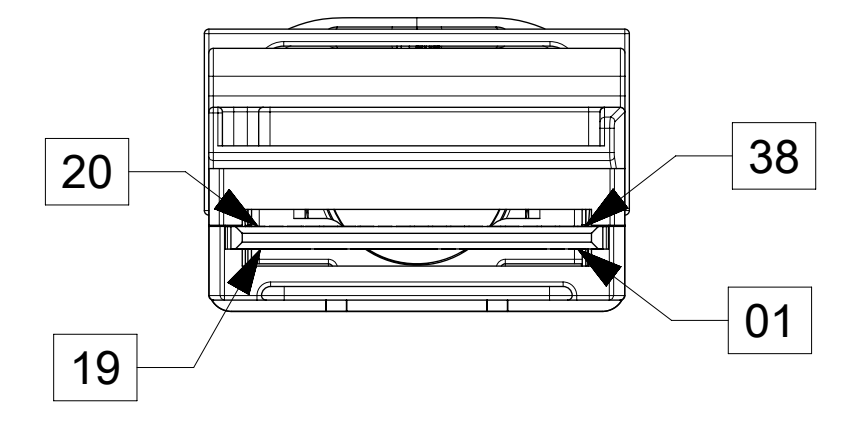
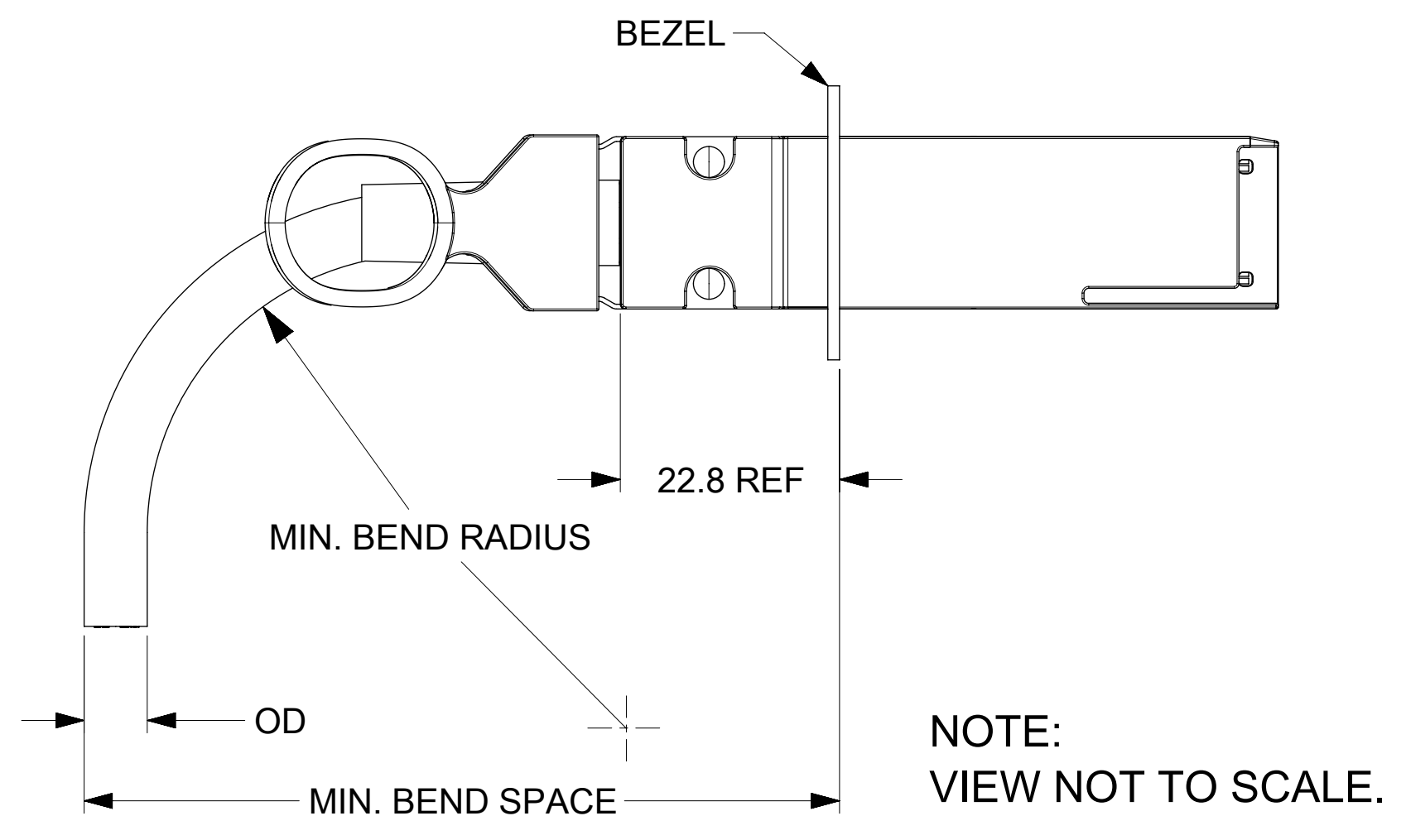


- NOTES:**
1. CABLE LENGTH DEPENDS ON WIRE GAUGE, DATA RATE, AND HOST BOARD DRIVER CAPABILITIES
  2. MATERIALS:  
 BACKSHELLS - ZINC DIE CAST WITH BRIGHT NICKEL PLATING  
 DELATCH - STAINLESS STEEL WITH OVERMOLDED NYLON  
 RIVETS - STAINLESS STEEL
  3. IMPEDANCE - 100 OHMS DIFFERENTIAL
  4. CABLE IS UL RECOGNIZED (TBD)
  5. EEPROM MAP AVAILABLE UPON REQUEST
  6. RoHS COMPLIANT, NO EXEMPTIONS

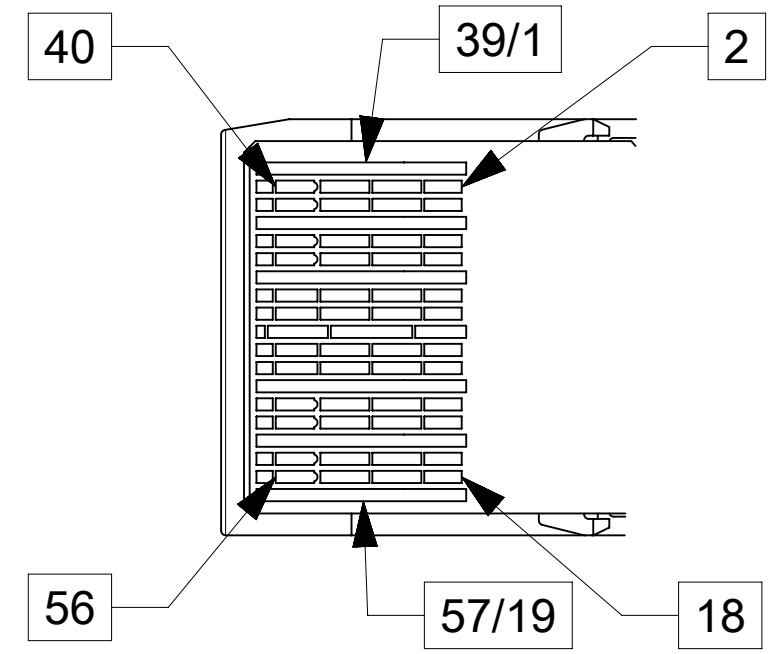
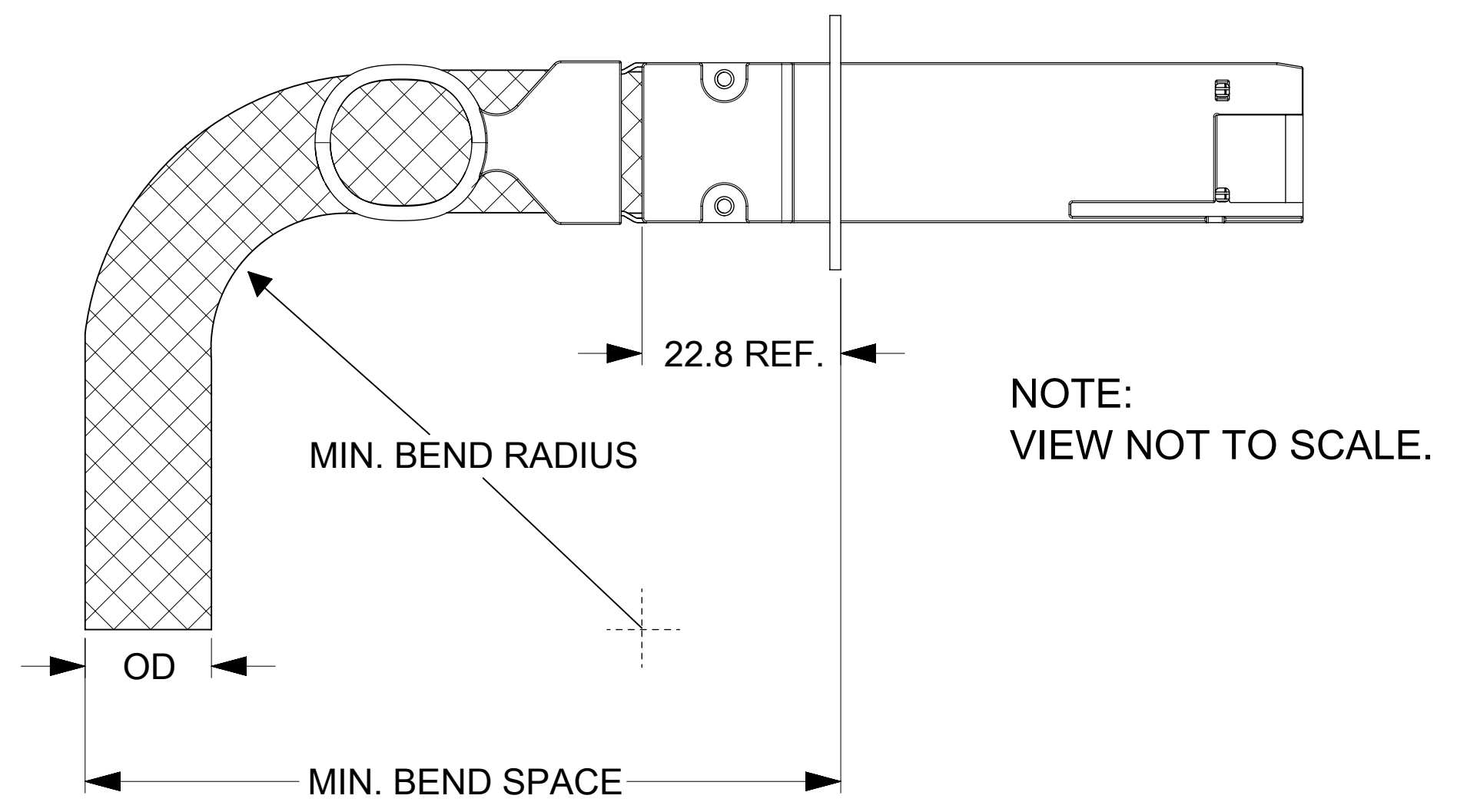
FUNCTIONAL SYMBOLS $F_A = 0$ $F_C = 0$ $F_P = 0$ DIVISIONAL SYMBOLS	THIS DRAWING CONTAINS INFORMATION THAT IS PROPRIETARY TO MOLEX ELECTRONIC TECHNOLOGIES, LLC AND SHOULD NOT BE USED WITHOUT WRITTEN PERMISSION		DIMENSION UNITS: <b>mm</b> SCALE: <b>1:1</b>		CURRENT REV DESC: SHT 4 ZONE F11 : TEXT P1 REMOVED FROM LEG ID LABEL									
	GENERAL TOLERANCES (UNLESS SPECIFIED)		EC NO: 713211 DRWN: KIRANG5 2022/07/01 CHK'D: ADITHK 2022/07/06 APPR: SCHANNARAYAN 2022/07/06		INITIAL REVISION: DRWN: SRATKOVIC 2016/12/01 APPR: ADTUCKER 2017/10/17				PRODUCT CUSTOMER DRAWING					
	ANGULAR TOL $\pm 5.0^\circ$		4 PLACES $\pm$ 3 PLACES $\pm$ 2 PLACES $\pm 0.13$ 1 PLACE $\pm 0.25$ 0 PLACES $\pm$		DRAFT WHERE APPLICABLE MUST REMAIN WITHIN DIMENSIONS		THIRD ANGLE PROJECTION		DRAWING: <b>D-SIZE</b> SERIES: <b>203366</b>		MATERIAL NUMBER: <b>2033660001</b> CUSTOMER: <b>GENERAL MARKET</b>		SHEET NUMBER: <b>1 OF 4</b>	
	DOCUMENT NUMBER: <b>2033660001</b>		DOC TYPE: <b>PSD</b>		DOC PART: <b>000</b>		REVISION: <b>M</b>		SEE P/N TABLE		GENERAL MARKET		SHEET NUMBER: <b>1 OF 4</b>	

### zQSFP+ CABLE BEND RADIUS

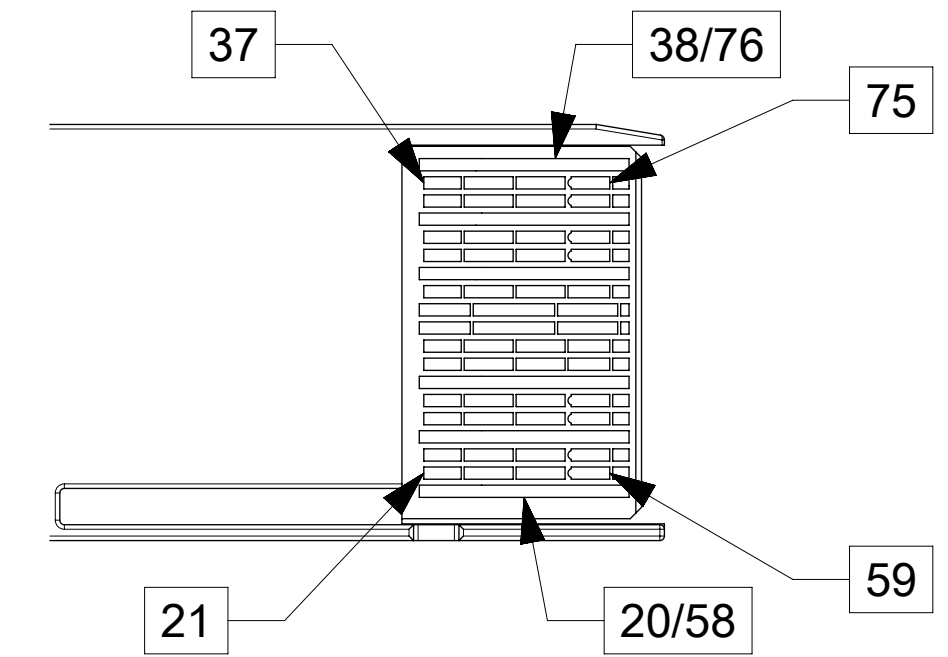


CABLE AWG	OD (mm)	MIN BEND RADIUS (mm)	MIN BEND SPACE (mm)
26	9.0	45	77
28	7.9	40	71
30	6.7	34	64

### QSFP-DD CABLE BEND RADIUS

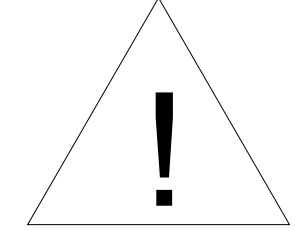


BOTTOM VIEW



TOP VIEW

CABLE AWG	OD (mm)	MIN BEND RADIUS (mm)	MIN BEND SPACE (mm)
26	(13)	(65)	(101)
28	(11)	(55)	(89)
30	(9.4)	(47)	(79)

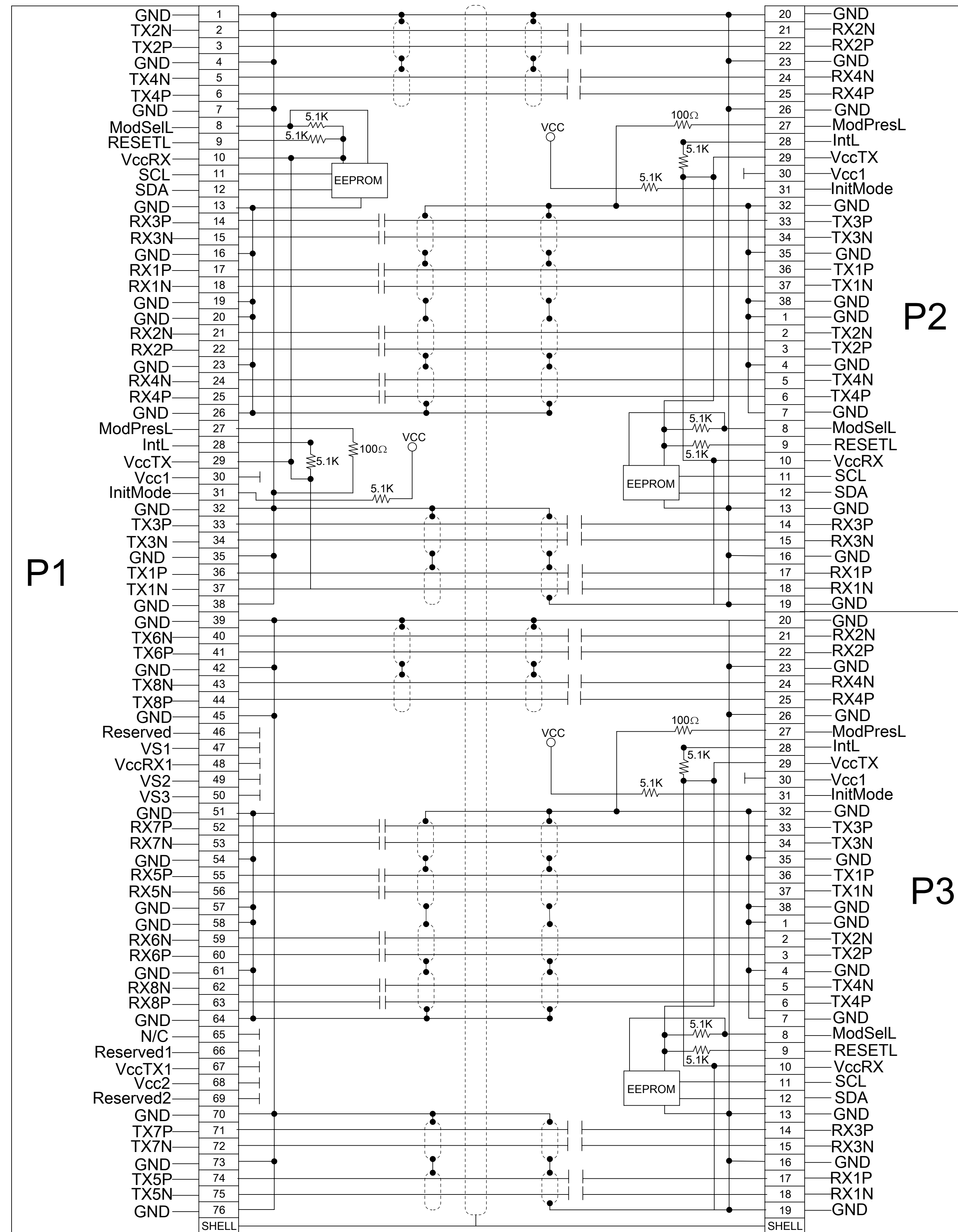


MINIMUM BEND RADIUS PENDING QUALIFICATION. NUMBERS ABOVE ARE ESTIMATES AND SUBJECT TO CHANGE.

- NOTES:**
- DC BLOCKING CAPS ON RECEIVE SIDE ONLY
  - CABLE COILED AND PACKAGED IN BEST FIT ESD BAG AND SEALED WITH ESD LABEL FOR SHIPPING

<b>FUNCTIONAL SYMBOLS</b> FA = 0 FC = 0 FD = 0 <b>DIVISIONAL SYMBOLS</b>	THIS DRAWING CONTAINS INFORMATION THAT IS PROPRIETARY TO MOLEX ELECTRONIC TECHNOLOGIES, LLC AND SHOULD NOT BE USED WITHOUT WRITTEN PERMISSION		DIMENSION UNITS: <b>mm</b> SCALE: <b>1:1</b>		CURRENT REV DESC: SHT 4 ZONE F11 : TEXT P1 REMOVED FROM LEG ID LABEL					
	GENERAL TOLERANCES (UNLESS SPECIFIED)		ANGULAR TOL ± 5.0°		EC NO: 713211 DRWN: KIRANG5 2022/07/01 CHK'D: ADITHK 2022/07/06 APPR: SCHANNARAYAN 2022/07/06				QSFP-DD TO 2-ZQSFP+ 56G CABLE ASSEMBLY	
	4 PLACES ± 3 PLACES ± 2 PLACES ± 0.13 1 PLACE ± 0.25 0 PLACES ±		DRAFT WHERE APPLICABLE MUST REMAIN WITHIN DIMENSIONS		THIRD ANGLE PROJECTION		INITIAL REVISION: DRWN: SRATKOVIC 2016/12/01 APPR: ADTUCKER 2017/10/17		PRODUCT CUSTOMER DRAWING	
	DOCUMENT NUMBER: <b>2033660001</b>		DOC TYPE: PSD DOC PART: 000 REVISION: M		DRAWING: <b>D-SIZE</b> SERIES: <b>203366</b>		MATERIAL NUMBER: SEE P/N TABLE CUSTOMER: GENERAL MARKET		SHEET NUMBER: 2 OF 4	

# WIRING DIAGRAM



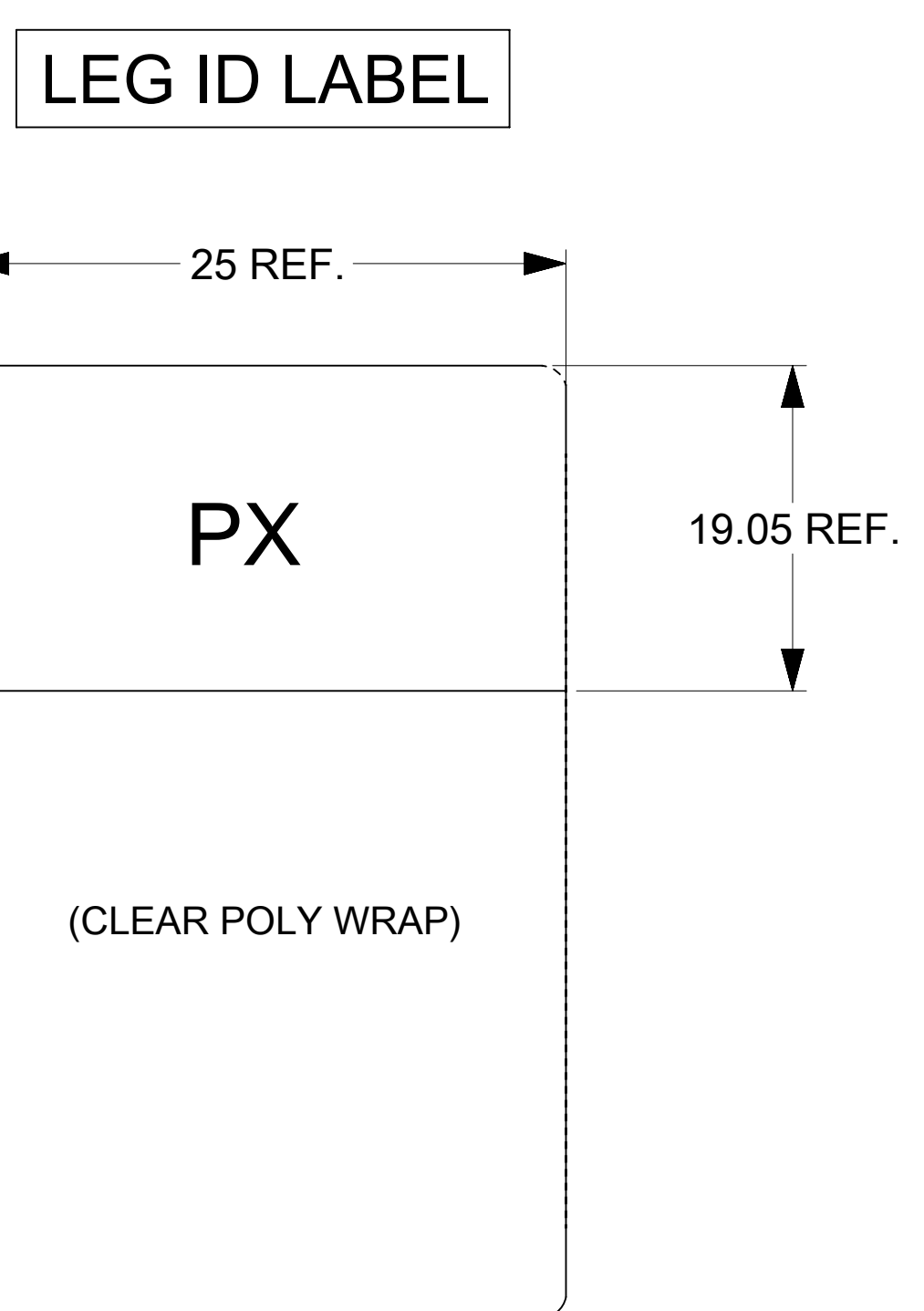


P/N: 203366XXXX - MOLEX PART NUMBER (SEE P/N TABLE)

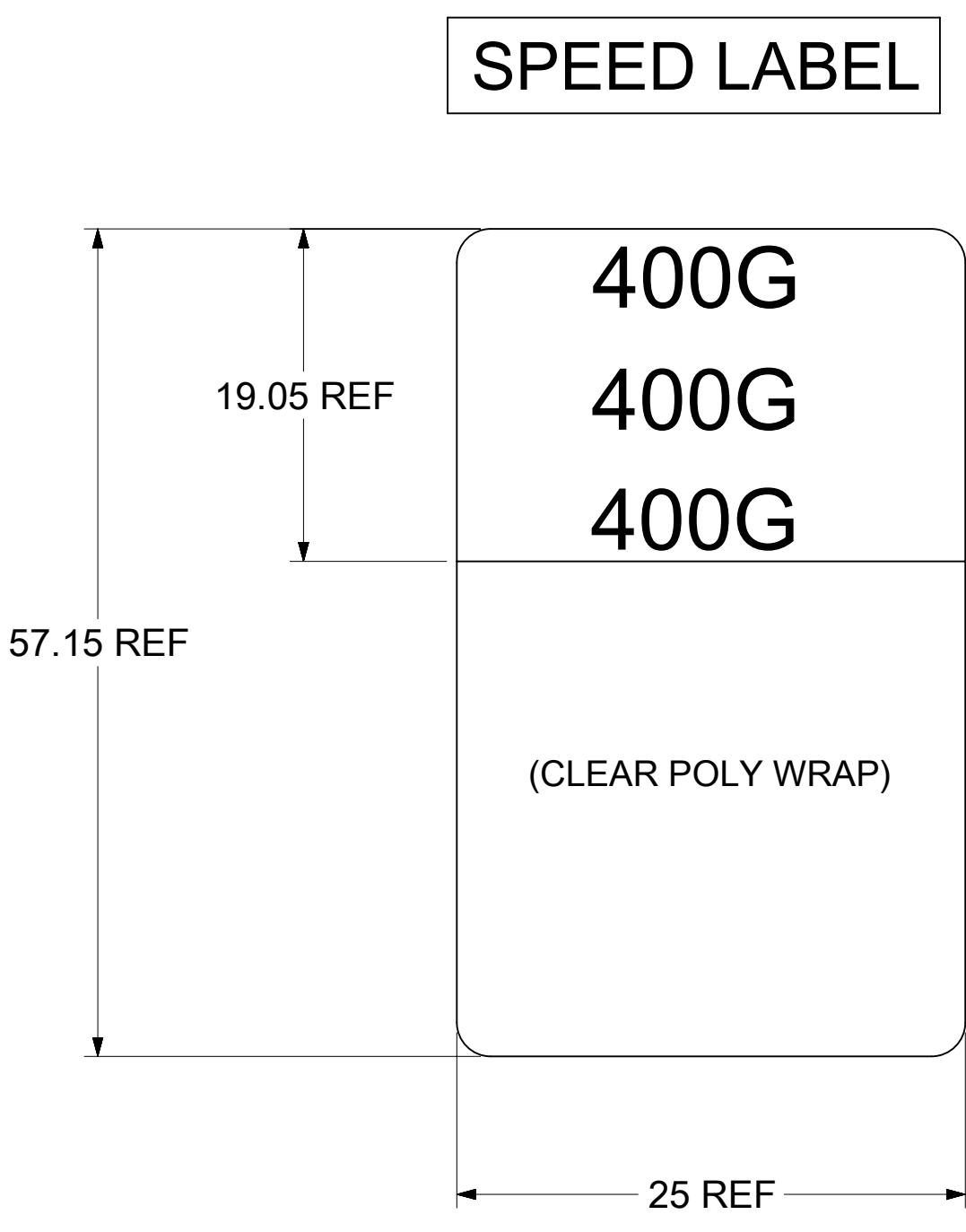
X.XM - CABLE LENGTH IN METERS (EXAMPLES - 0.5M, 1.0M, 1.5M)

XXAWG - CABLE SIZE IN AWG

S/N: YYDDLSSSS - SERIAL NUMBER  
 YY = YEAR, THE LAST 2 DIGITS OF YEAR  
 DDD = DAY OF THE YEAR  
 L = LOCATION  
 1 - USA  
 2 - MEXICO  
 3 - CHINA  
 4 - PHILIPPINES  
 SSSS = SERIAL NUMBER (0001-9999)

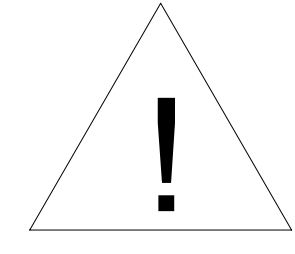


PX: P2 OR P3



MOLEX P/N	LENGTH (M)	AWG
2033661005	0.5M +/- 0.05M	30
2033661010	1.0M +/- 0.05M	30
2033661015	1.5M +/- 0.08M	30
2033661020	2.0M +/- 0.08M	30
2033663005	0.5M +/- 0.05M	28
2033663010	1.0M +/- 0.05M	28
2033663015	1.5M +/- 0.08M	28
2033663020	2.0M +/- 0.08M	28
2033663025	2.5M +/- 0.08M	28
2033663030	3.0M +/- 0.08M	26

\*LENGTHS UNDER 1.0M MAY NOT MEET ALL IEEE802.3cd SPEC



TENTATIVE PROPOSAL  
 PENDING ELECTRICAL QUALIFICATION

FUNCTIONAL SYMBOLS FA = 0 FC = 0 FP = 0 DIVISIONAL SYMBOLS	THIS DRAWING CONTAINS INFORMATION THAT IS PROPRIETARY TO MOLEX ELECTRONIC TECHNOLOGIES, LLC AND SHOULD NOT BE USED WITHOUT WRITTEN PERMISSION									
	DIMENSION UNITS	SCALE	CURRENT REV DESC: SHT 4 ZONE F11 : TEXT P1 REMOVED FROM LEG ID LABEL							
	mm	1:1	GENERAL TOLERANCES (UNLESS SPECIFIED)	EC NO: 713211	DRWN: KIRANG5	2022/07/01				
	ANGULAR TOL ± 5.0°			DRWN: SRATKOVIC	2016/12/01	2017/10/17				
4 PLACES ±			CHK'D: ADITHK	2022/07/06	APPR: SCHANNARAYAN	2022/07/06	PRODUCT CUSTOMER DRAWING			
3 PLACES ±			INITIAL REVISION:			DOCUMENT NUMBER		DOC TYPE	DOC PART	REVISION
2 PLACES ± 0.13			DRWN: SRATKOVIC			2033660001		PSD	000	M
1 PLACE ± 0.25			APPR: ADTUCKER			MATERIAL NUMBER		CUSTOMER		SHEET NUMBER
0 PLACES ±			DRAFT WHERE APPLICABLE MUST REMAIN WITHIN DIMENSIONS			SEE P/N TABLE		GENERAL MARKET		4 OF 4
THIRD ANGLE PROJECTION			DRAWING		SERIES	MATERIAL NUMBER		CUSTOMER		SHEET NUMBER
			D-SIZE		203366	2033660001		GENERAL MARKET		4 OF 4