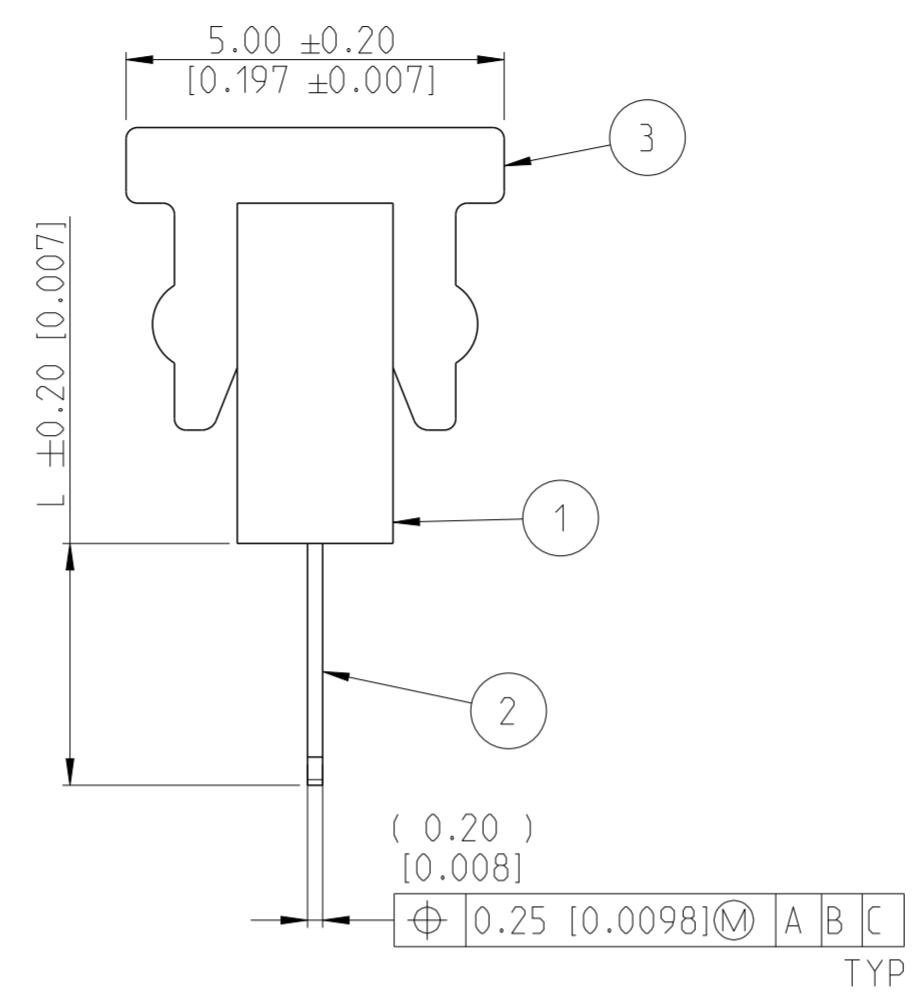
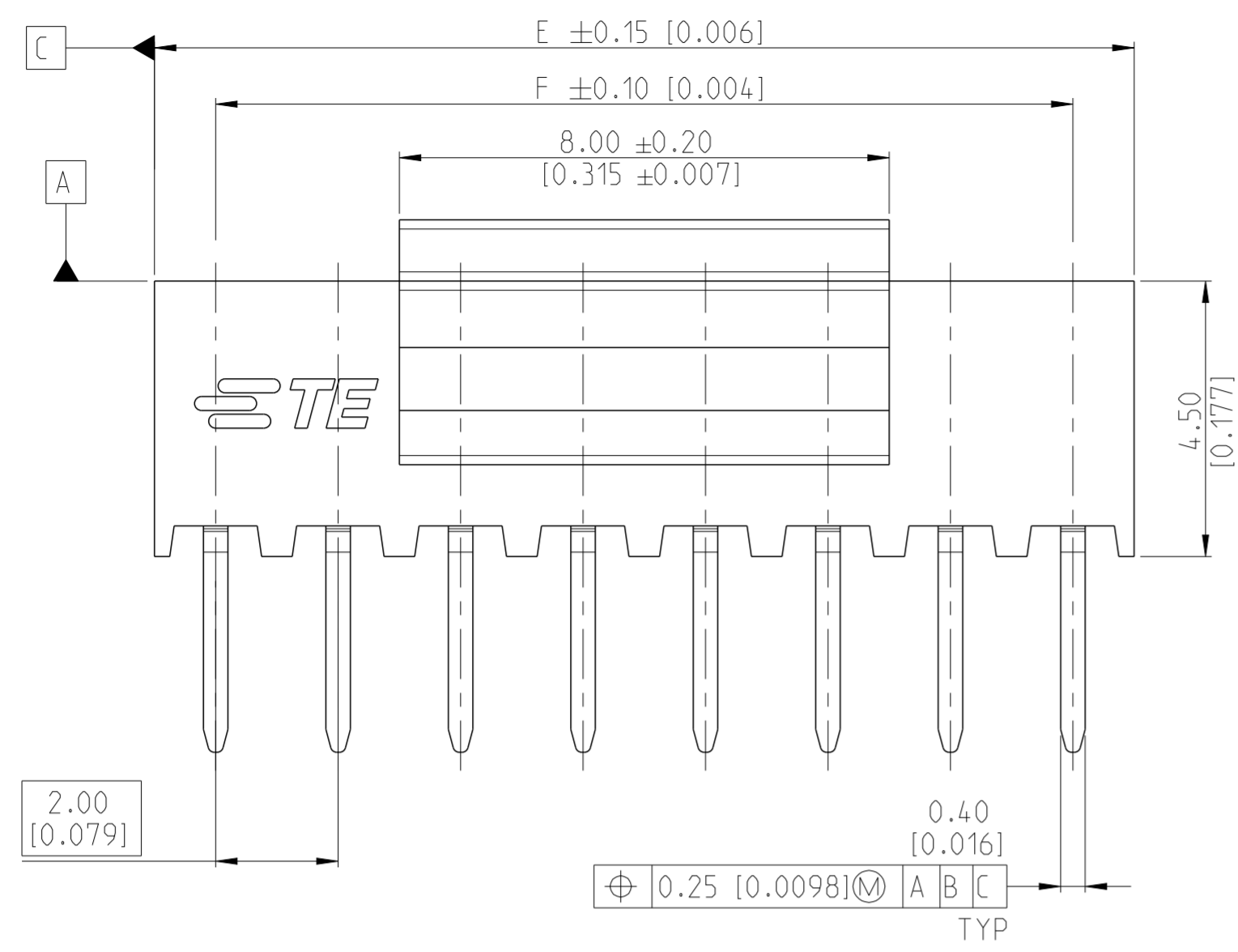
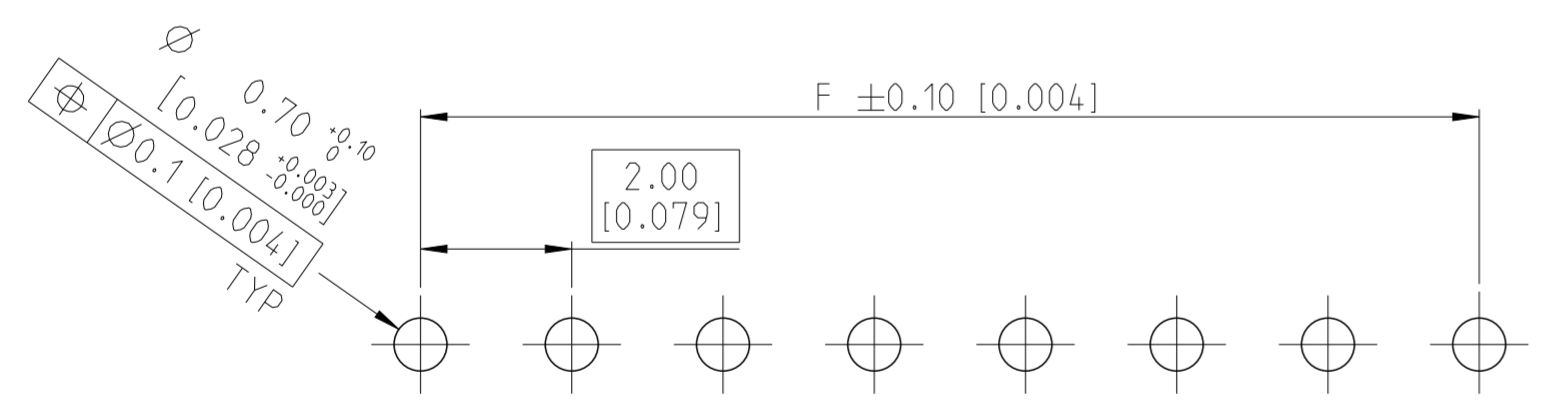
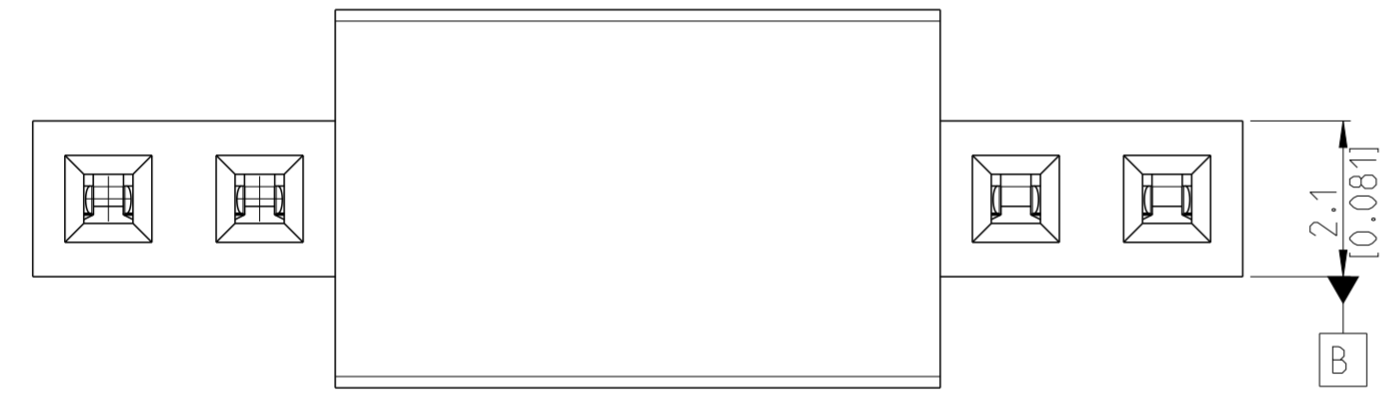


REVISIONS					
P	LTR	DESCRIPTION	DATE	DWN	APVD
	A	RELEASE GOLD PLATED VERSIONS TO PRODUCTION	03SEP2019	AY	PS
	A1	RELEASE TIN PLATED VERSIONS TO PRODUCTION	14APR2020	AY	PS
	A2	SMART PN DETAILS ADDED	19APR2022	SCB	PS

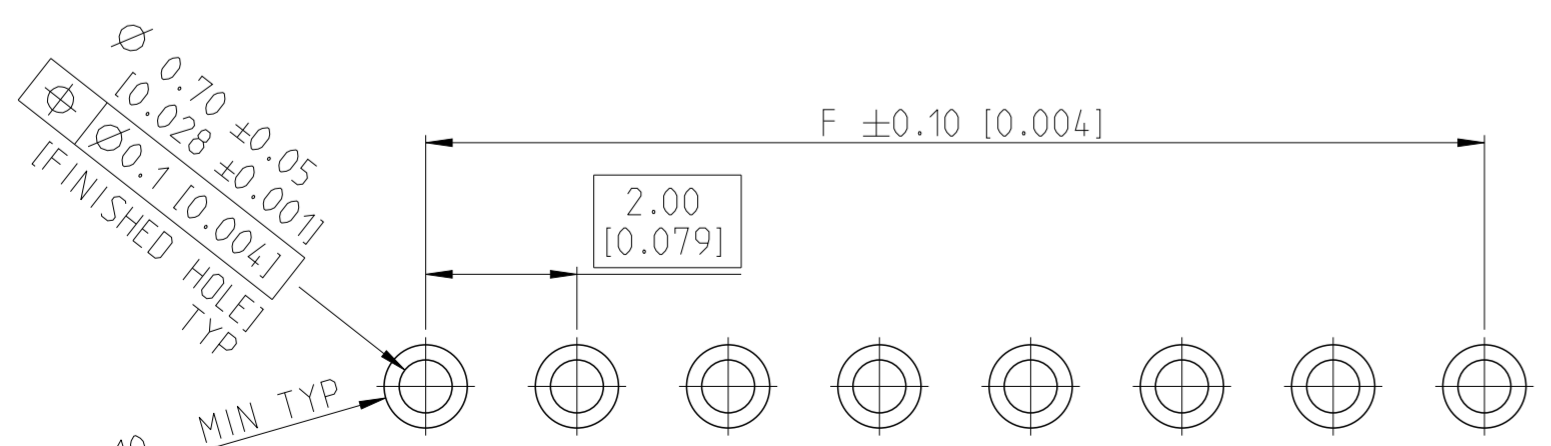


P&P CAP	3
CONTACT	2
HOUSING	1
DESCRIPTION	ITEM

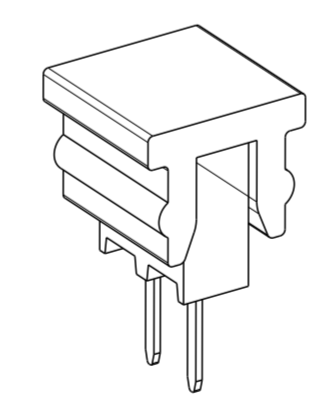
- NOTES:
- 1 MATERIAL:  
HOUSING & CAP: LCP, UL94 V0, BLACK  
CONTACT: PHOSPHOR BRONZE, 0.20mm THICK.
  - 2 ALL OVER 3-5µm (118.11-196.85 µ") TIN OVER  
MIN 1.27µm (50 µ") NICKEL UNDERPLATE
  - 3 CONTACT AREA: MIN 0.1µm (3.94 µ") GOLD  
SOLDER TAIL: 3-5µm (118.11-196.85 µ") TIN  
UNDERPLATING: MIN 1.27µm (50 µ") NICKEL ALL OVER
  - 4 CONTACT AREA: MIN 0.38µm (15 µ") GOLD  
SOLDER TAIL: 3-5µm (118.11-196.85 µ") TIN  
UNDERPLATING: MIN 1.27µm (50 µ") NICKEL ALL OVER
  - 5 CONTACT AREA: MIN 0.76µm (30 µ") GOLD  
SOLDER TAIL: 3-5µm (118.11-196.85 µ") TIN  
UNDERPLATING: MIN 1.27µm (50 µ") NICKEL ALL OVER
  - 6. N = NO. OF POSITIONS PER CONNECTOR.



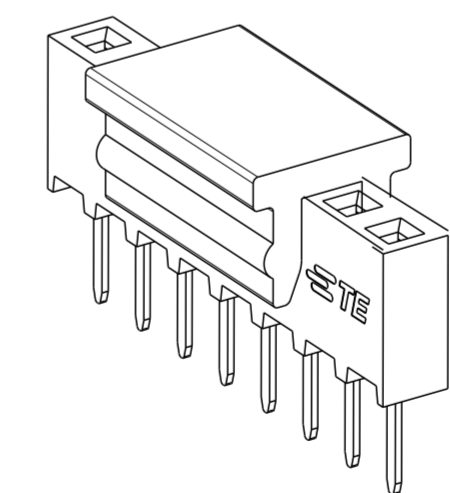
RECOMMENDED PCB HOLE PATTERN FOR THROUGH HOLE WAVE



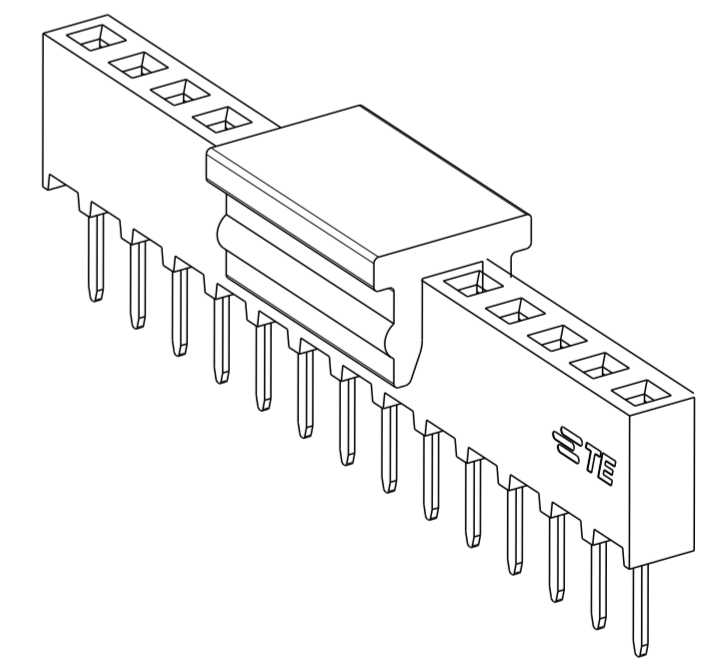
RECOMMENDED PCB HOLE PATTERN FOR THROUGH HOLE REFLOW / PIN-IN PASTE



2MM-R-S02-VT-01-T-TRP



2MM-R-S08-VT-01-T-TRP



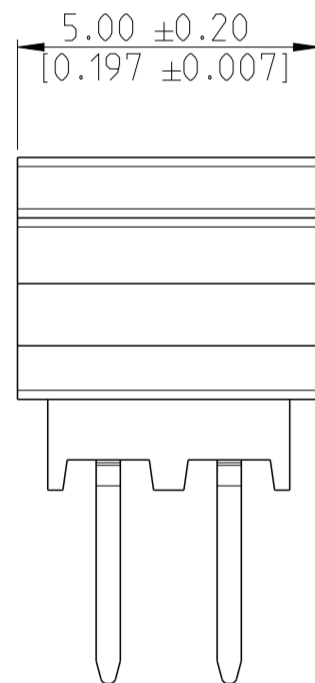
2MM-R-S14-VT-01-T-TRP

THIS DRAWING IS A CONTROLLED DOCUMENT.		DWN 29AUG2017 SOURAV DAS	TE Connectivity	
		CHK 17JULY2018 SHARATH S		
DIMENSIONS: mm [inch]		APVD 17JULY2018 PRASHANTH S	NAME AMPMODU 2mm BtB RECEPTACLE SINGLE ROW VERTICAL.TOP ENTRY TH/THR	
TOLERANCES UNLESS OTHERWISE SPECIFIED: 0 PLC ± 1 PLC ±0.2 2 PLC ±0.1 3 PLC ± [0.004] 4 PLC ± ANGLES ±2°		PRODUCT SPEC 108-64040	SIZE A2	
MATERIAL SEE NOTES		APPLICATION SPEC 114-32186	CAGE CODE 00779	DRAWING NO C-2307764
FINISH -		WEIGHT -	RESTRICTED TO -	SCALE 5:1
		CUSTOMER DRAWING	SHEET 1 OF 3	REV A2

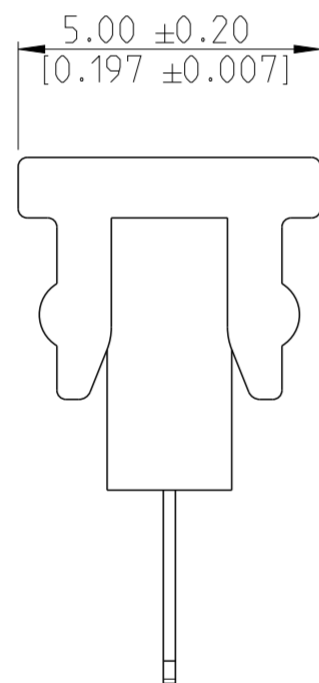
P	LTR	DESCRIPTION	DATE	DWN	APVD
		SEE SHEET 1			

MATING SIDE PLATING (FINISH)	"L" SOLDER TAIL LENGTH	BTB RECEPTACLE BASE NUMBERS		
		TAPE & REEL PKG W/ CAP	TUBE PKG W/ CAP	TUBE PKG W/O CAP
TIN 2	2.0[0.079]	2MM-R-S__-VT-01-T-TRP	2MM-R-S__-VT-01-T-TBP	A/R
	2.7[0.106]	2MM-R-S__-VT-02-T-TRP	2MM-R-S__-VT-02-T-TBP	2MM-R-S__-VT-02-T-TB
	3.2[0.126]	A/R	A/R	2MM-R-S__-VT-03-T-TB
GOLD FLASH 0.1µm (3.94 µ") 3	2.0[0.079]	2MM-R-S__-VT-01-F-TRP	2MM-R-S__-VT-01-F-TBP	A/R
	2.7[0.106]	2MM-R-S__-VT-02-F-TRP	2MM-R-S__-VT-02-F-TBP	2MM-R-S__-VT-02-F-TB
	3.2[0.126]	A/R	A/R	2MM-R-S__-VT-03-F-TB
GOLD 0.38µm (15 µ") 4	2.0[0.079]	2MM-R-S__-VT-01-M-TRP	2MM-R-S__-VT-01-M-TBP	A/R
	2.7[0.106]	2MM-R-S__-VT-02-M-TRP	2MM-R-S__-VT-02-M-TBP	2MM-R-S__-VT-02-M-TB
	3.2[0.126]	A/R	A/R	2MM-R-S__-VT-03-M-TB
GOLD 0.76µm (30 µ") 5	2.0[0.079]	2MM-R-S__-VT-01-H-TRP	2MM-R-S__-VT-01-H-TBP	A/R
	2.7[0.106]	2MM-R-S__-VT-02-H-TRP	2MM-R-S__-VT-02-H-TBP	2MM-R-S__-VT-02-H-TB
	3.2[0.126]	A/R	A/R	2MM-R-S__-VT-03-H-TB

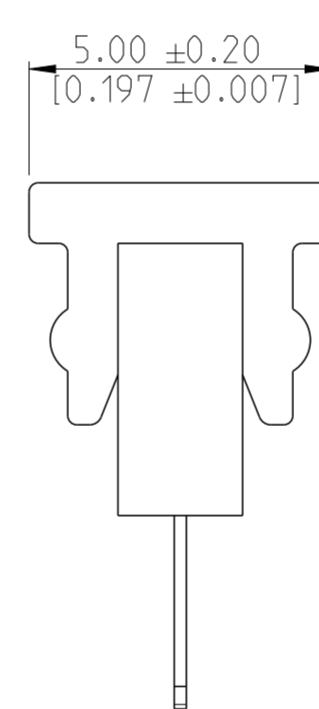
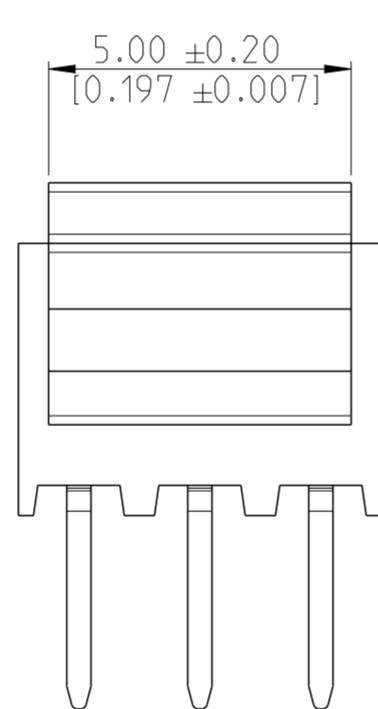
\* A/R- AVAILABLE ON REQUEST



2MM-R-S02-VT-01-T-TRP  
AS SHOWN



2MM-R-S03-VT-01-T-TRP  
AS SHOWN



48	50	25	2MM-R-S25-VT-01-T-TRP
46	48	24	2MM-R-S24-VT-01-T-TRP
44	46	23	2MM-R-S23-VT-01-T-TRP
42	44	22	2MM-R-S22-VT-01-T-TRP
40	42	21	2MM-R-S21-VT-01-T-TRP
38	40	20	2MM-R-S20-VT-01-T-TRP
36	38	19	2MM-R-S19-VT-01-T-TRP
34	36	18	2MM-R-S18-VT-01-T-TRP
32	34	17	2MM-R-S17-VT-01-T-TRP
30	32	16	2MM-R-S16-VT-01-T-TRP
28	30	15	2MM-R-S15-VT-01-T-TRP
26	28	14	2MM-R-S14-VT-01-T-TRP
24	26	13	2MM-R-S13-VT-01-T-TRP
22	24	12	2MM-R-S12-VT-01-T-TRP
20	22	11	2MM-R-S11-VT-01-T-TRP
18	20	10	2MM-R-S10-VT-01-T-TRP
16	18	9	2MM-R-S09-VT-01-T-TRP
14	16	8	2MM-R-S08-VT-01-T-TRP
12	14	7	2MM-R-S07-VT-01-T-TRP
10	12	6	2MM-R-S06-VT-01-T-TRP
8	10	5	2MM-R-S05-VT-01-T-TRP
6	8	4	2MM-R-S04-VT-01-T-TRP
4	6	3	2MM-R-S03-VT-01-T-TRP
2	4	2	2MM-R-S02-VT-01-T-TRP
DIM "F"	DIM "E"	N	SMART PN

THIS DRAWING IS A CONTROLLED DOCUMENT.		DWN SOURAV DAS 29AUG2017	TE Connectivity	
		CHK SHARATH S 19JULY2018		
DIMENSIONS: mm [inch]		APVD PRASHANTH S 19JULY2018	NAME AMPMODU 2mm BtB RECEPTACLE SINGLE ROW VERTICAL TOP ENTRY TH/TR	
TOLERANCES UNLESS OTHERWISE SPECIFIED:		PRODUCT SPEC 108-64040	RESTRICTED TO	
0 PLC ± 1 PLC ±0.2 2 PLC ±0.1 3 PLC ± [0.004] 4 PLC ± ANGLES ±2°		APPLICATION SPEC 114-32186	SIZE A2	CAGE CODE 00779
MATERIAL SEE NOTES		WEIGHT -	DRAWING NO C-2307764	SCALE 5:1
		CUSTOMER DRAWING	SHEET 2 OF 3	REV A2

REVISIONS

P	LTR	DESCRIPTION	DATE	DWN	APVD
-	-	SEE SHEET 1	-	-	-

SMART PART NUMBER  
 2MM - R - S\_\_ - VT - \_\_\_\_ - \_\_\_\_ - \_\_\_\_

PRODUCT SERIES  
 2MM AMPMODU 2mm SERIES

GENDER / TYPE  
 R RECEPTACLE

NUMBER OF ROWS  
 S SINGLE ROW

NUMBER OF PINS PER ROW  
 XX 02 THROUGH 25  
 (ENTER TWO DIGITS)

PACKAGING  
 TB TUBE WITHOUT CAP  
 TRP TAPE AND REELING WITH CAP  
 TBP TUBE WITH CAP


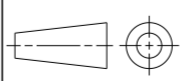
PLATING  
 T TIN  
 F GOLD FLASH  
 M 15 µm GOLD  
 H 30 µm GOLD

TAIL LENGTH  
 01 2.0 mm  
 02 2.7 mm  
 03 3.2 mm

ORIENTATION & TERMINATION  
 VT VERTICAL THROUGH HOLE

SMART PN EXAMPLES:

- 2MM-R-S02-VT-01-T-TRP :  
 AMPMODU 2mm, RECEPTACLE, SINGLE ROW, 02 POSITION PER ROW, VERTICAL THROUGH HOLE, 2.0 mm TAIL LENGTH, TIN PLATED, TAPE AND REEL WITH CAP PACKAGING
- 2MM-R-S25-VT-01-T-TRP :  
 AMPMODU 2mm, RECEPTACLE, SINGLE ROW, 25 POSITION PER ROW, VERTICAL THROUGH HOLE, 2.0 mm TAIL LENGTH, TIN PLATED, TAPE AND REEL WITH CAP PACKAGING

THIS DRAWING IS A CONTROLLED DOCUMENT.		DWN 29AUG2017 SOURAV DAS	 TE Connectivity	
DIMENSIONS: mm [inch]		CHK 17JULY2018 SHARATH S		
		APVD 17JULY2018 PRASHANTH S	NAME AMPMODU 2mm BtB RECEPTACLE SINGLE ROW VERTICAL TOP ENTRY TH/THR	
TOLERANCES UNLESS OTHERWISE SPECIFIED: 0 PLC ± 1 PLC ±0.2 2 PLC ±0.1 3 PLC ± [0.004] 4 PLC ± ANGLES ±2°		PRODUCT SPEC 108-64040	RESTRICTED TO	
MATERIAL SEE NOTES		APPLICATION SPEC 114-32186	SIZE A2	CAGE CODE 00779
FINISH SEE NOTES		WEIGHT -	DRAWING NO C-2307764	SCALE 5:1
		CUSTOMER DRAWING	SHEET 3 OF 3	REV A2