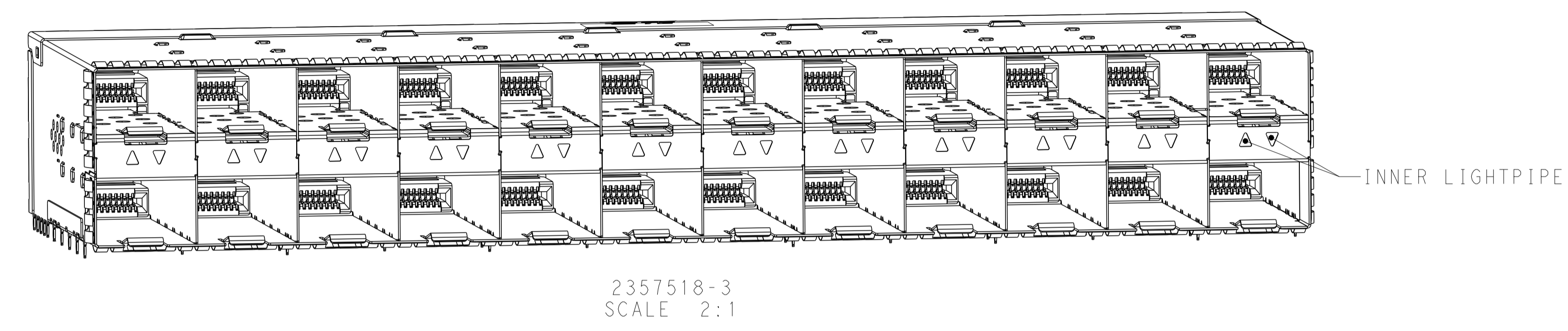
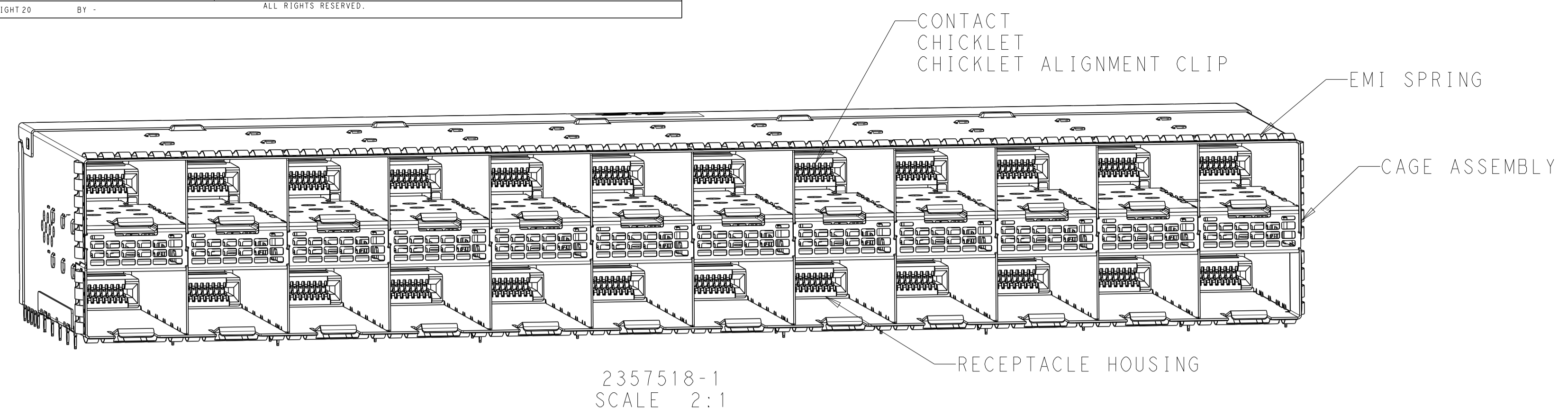
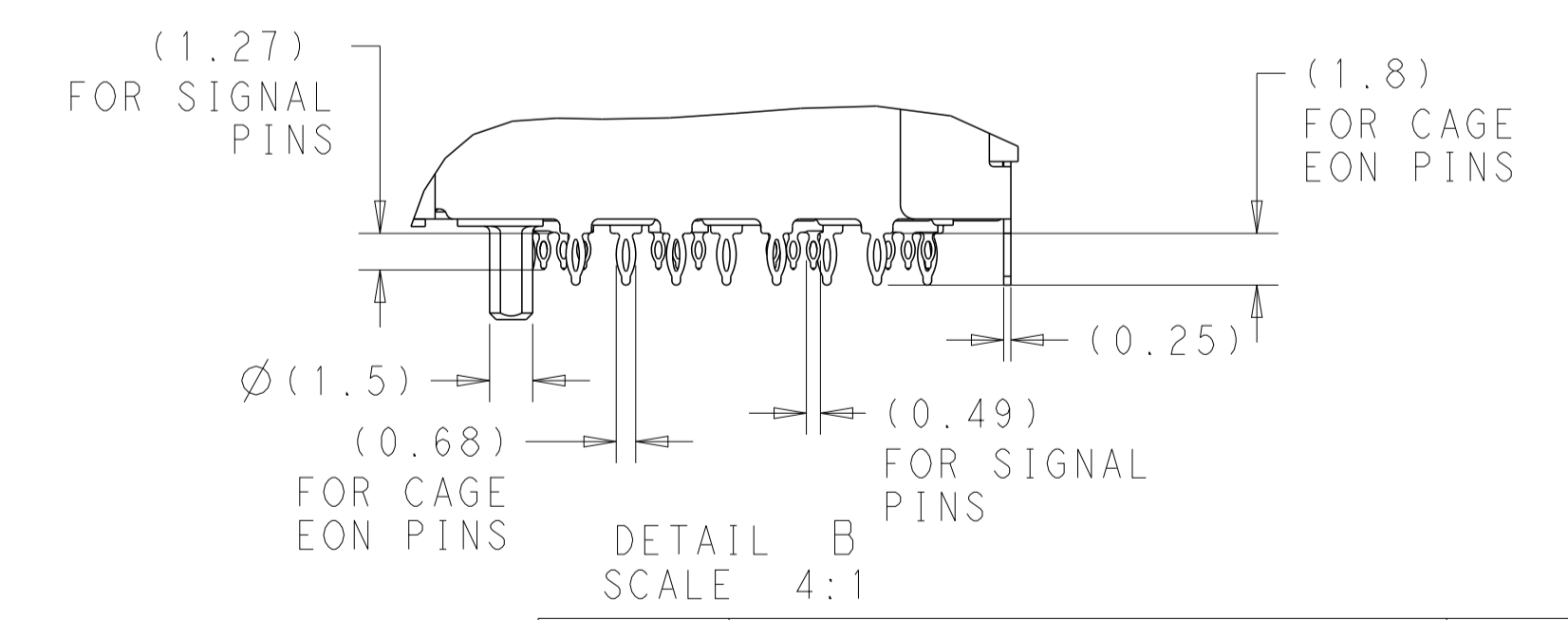
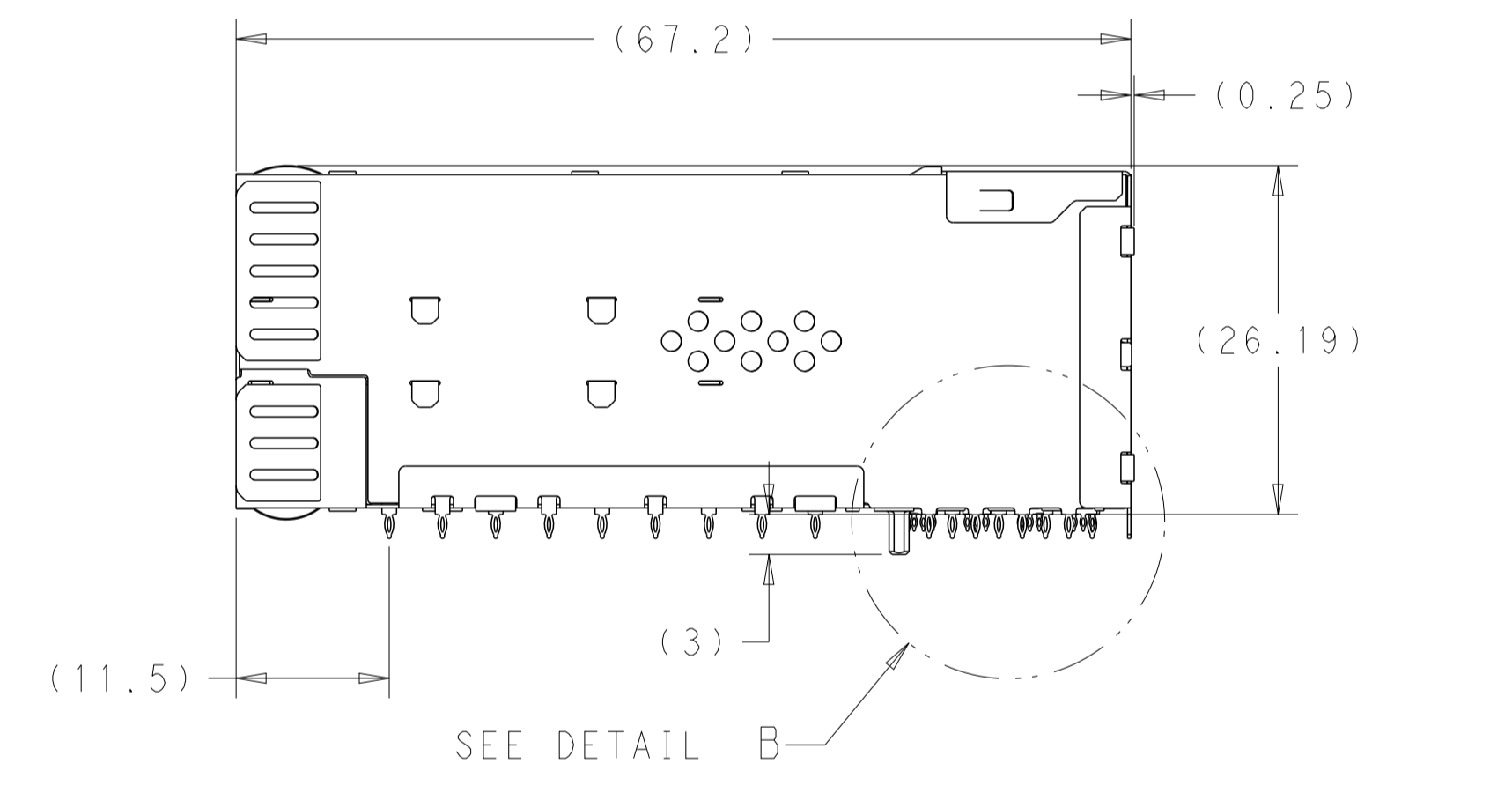
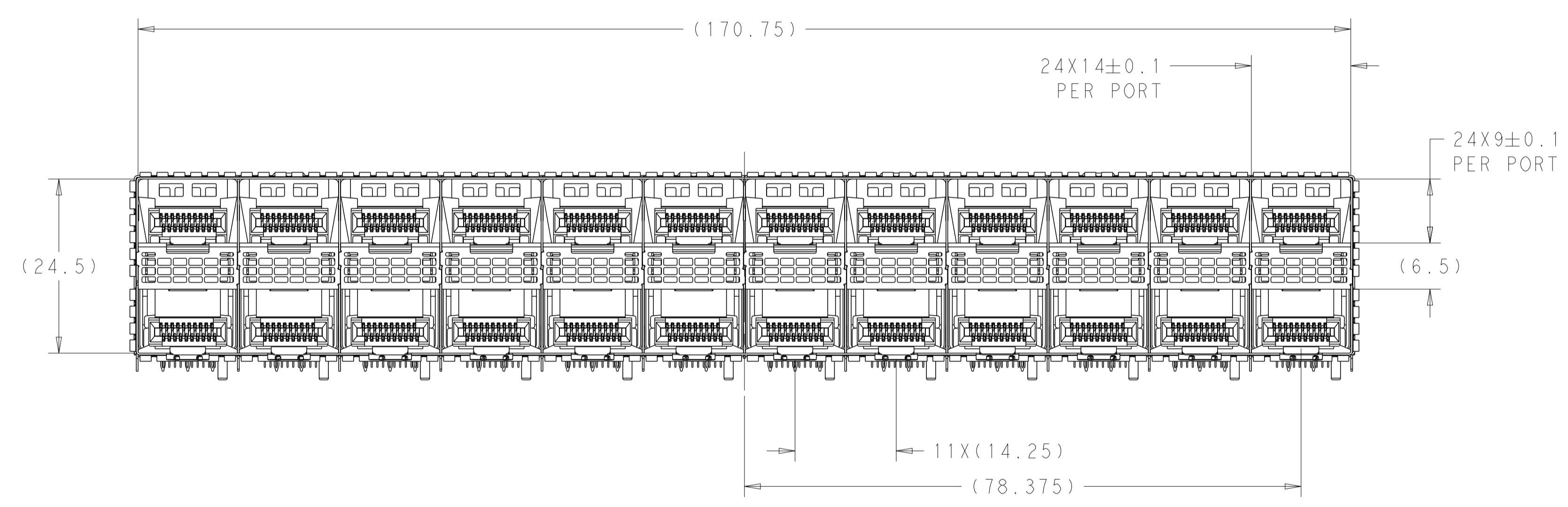


LOC		DIST		REVISIONS					
GP		00		P	LTN	DESCRIPTION	DATE	DMN	APVD
A						RELEASE TO REV A	23OCT2019	JY	SH
B						REVISED PER ECO-20-013376	03SEP2020	JW	SH
B1						REVISED PER ECN-22-185798	22NOV2022	CZ	SZ

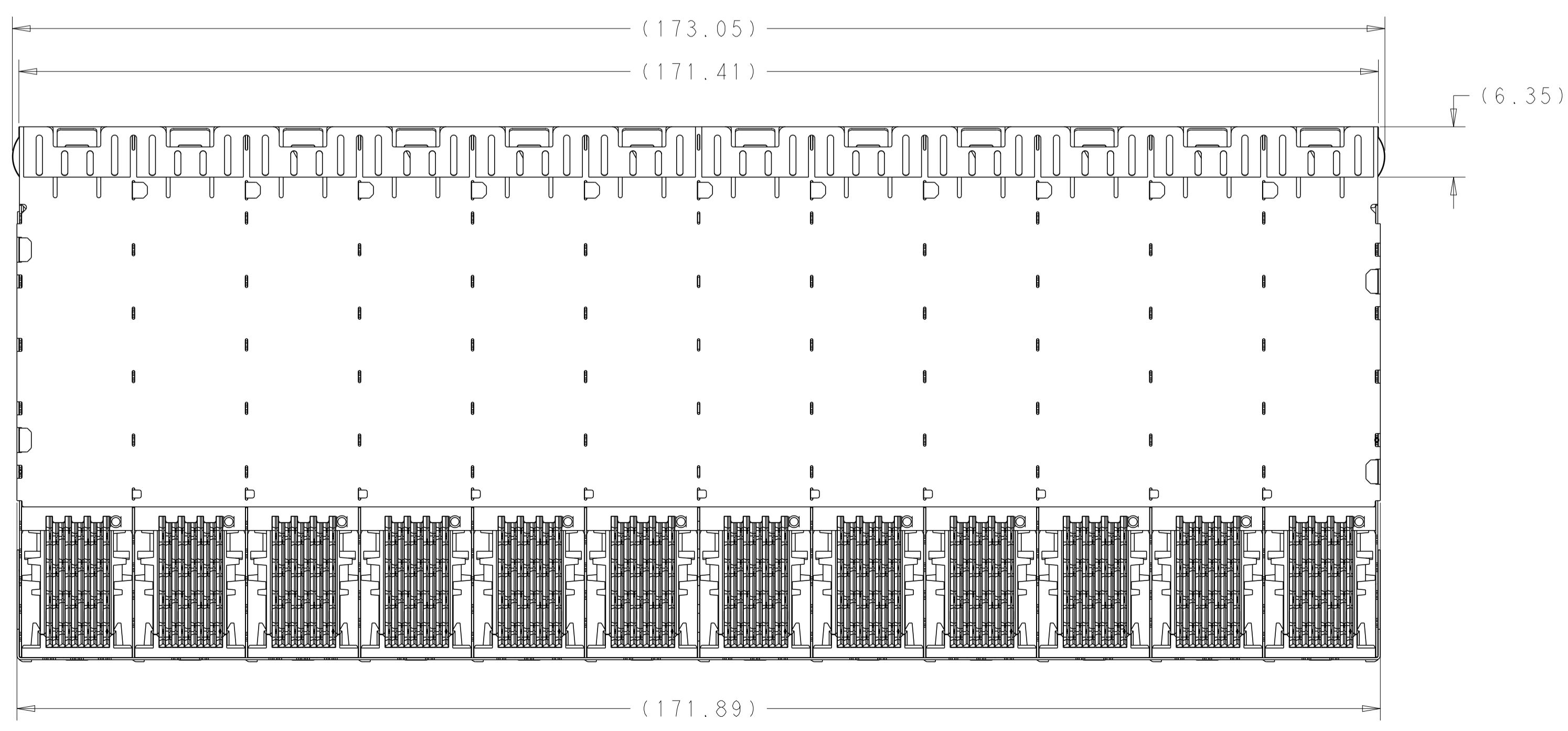


- MATERIALS:  
 CAGE ASSEMBLY - STAINLESS STEEL  
 CONNECTOR HOUSING - LCP, BLACK, UL 94V-0 RATED  
 CHICKLET - LCP, BLACK, UL 94V-0 RATED  
 CHICKLET ALIGNMENT CLIP - PBT  
 CONTACT - COPPER ALLOY  
 EMI SPRINGS - PHOSPHOR BRONZE PER ASTM B 103,  
 0.8µm MIN TIN OVER NICKEL PATING
- CONTACT FINISH:  
 0.76µm MIN GOLD PER ASTM B 844 AT MATING INTERFACE,  
 1.25µm MIN MATTE TIN PER ASTM B 545 AT PCB INTERFACE  
 ALLOYER 2.54µm MIN NICKEL PER QQ-N-290.
- PCB MINIMUM THICKNESS FOR SINGLE SIDE= 1.5mm MIN  
 PCB MINIMUM THICKNESS FOR BELLY TO BELLY=3mm MIN

- △ FOR HOLE SIZE AND PLATINGS, SEE APPLICATION SPECIFICATION 114-13319
- △ LIGHT PIPE PAD LAYOUT IS FOR 0805 LOW PROFILE LED PACKAGE WITH A HEIGHT OF 0.5mm
- △ DIMENSIONS APPLY FOR EMI SPRINGS ONLY
- △ THE ENTIRE AREA OF THE CONNECTOR FOOTPRINT, INDICATED BY THE DASHED LINE, TO BE CONSIDERED THE KEEPOUT AREA FOR COMPONENTS AND SIGNAL TRACES, TOP SIDE ONLY, TOP SIDE TRACES ALLOWED WITHIN CONNECTOR HOLE PATTERN



173.5	EMI SPRINGS AIRFLOW ENHANCE TYPE INNER LIGHTPIPE	2357518-3
173.5	EMI SPRINGS AIRFLOW ENHANCE TYPE	2357518-1
(E)	CAGE TYPE	PART NUMBER



THIS DRAWING IS A CONTROLLED DOCUMENT. DWN: J. WANG 30MAY2019  
 CHK: S. HAN 30MAY2019  
 APVD: S. HAN 30MAY2019

TE Connectivity

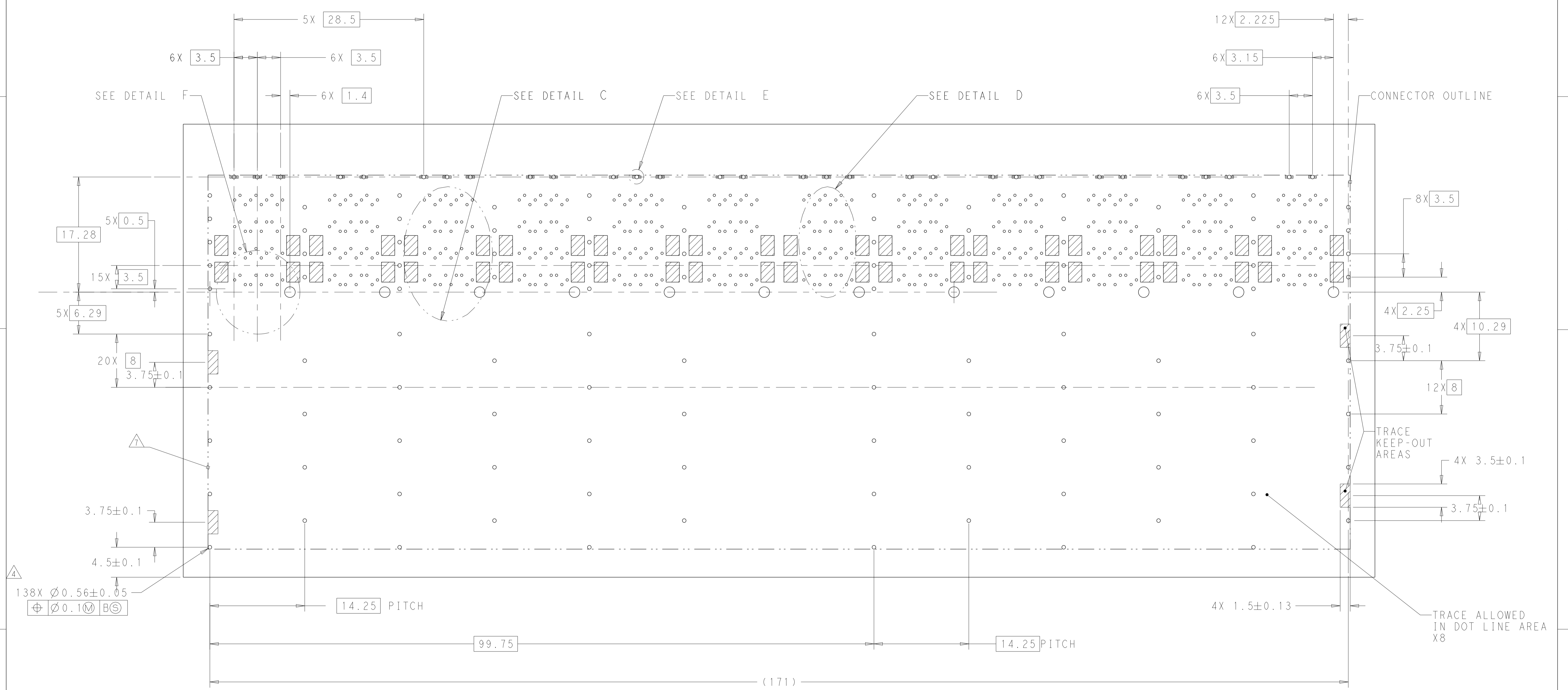
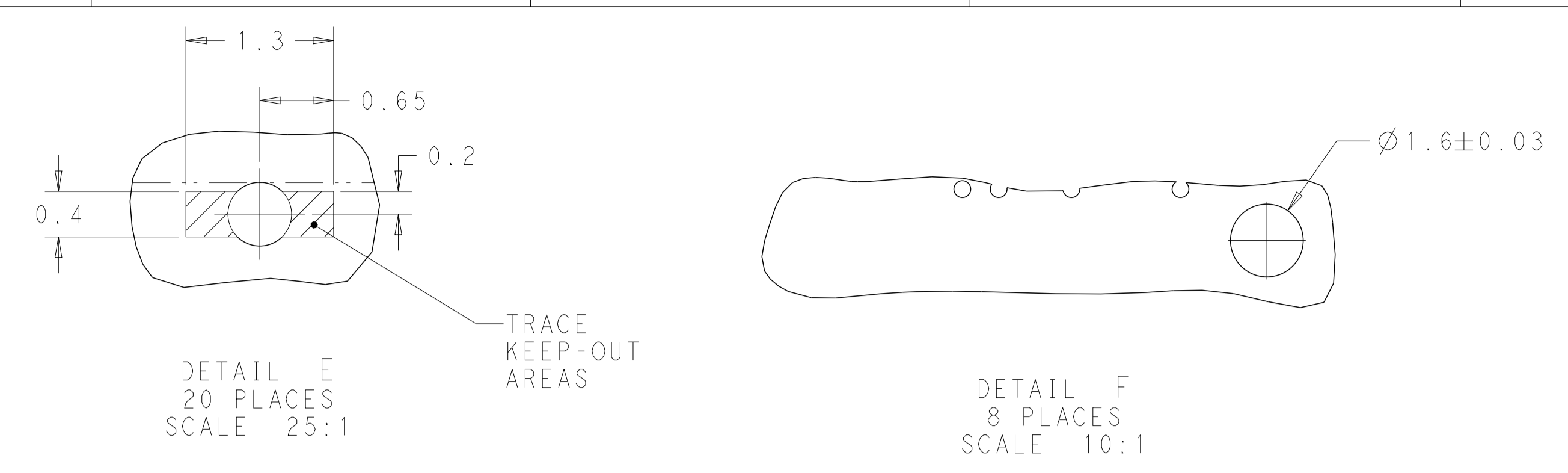
RECEPTACLE ASSEMBLY, 2X12  
 zSFP+ STACKED BELLY TO BELLY

108-60129  
 APPLICATION SPEC

114-13319

SIZE: A1 CAGE CODE: 00779 DRAWING NO: 2357518  
 SCALE: 2:1 SHEET 1 OF 4 REV: B1

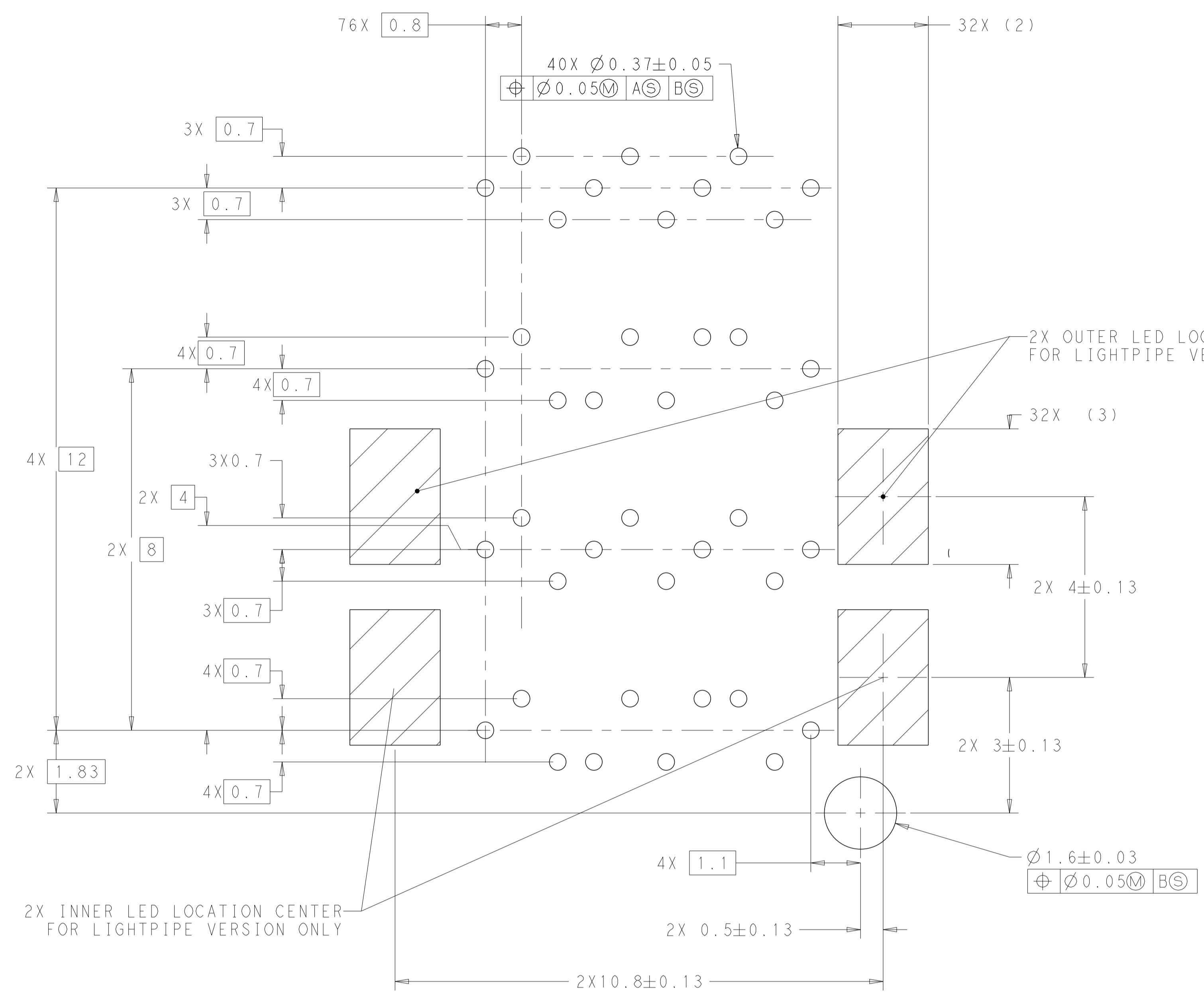
LOC	DIST	REVISIONS			
GP	00	REV	DATE	BY	APPV
		1	SEE SHEET 1		



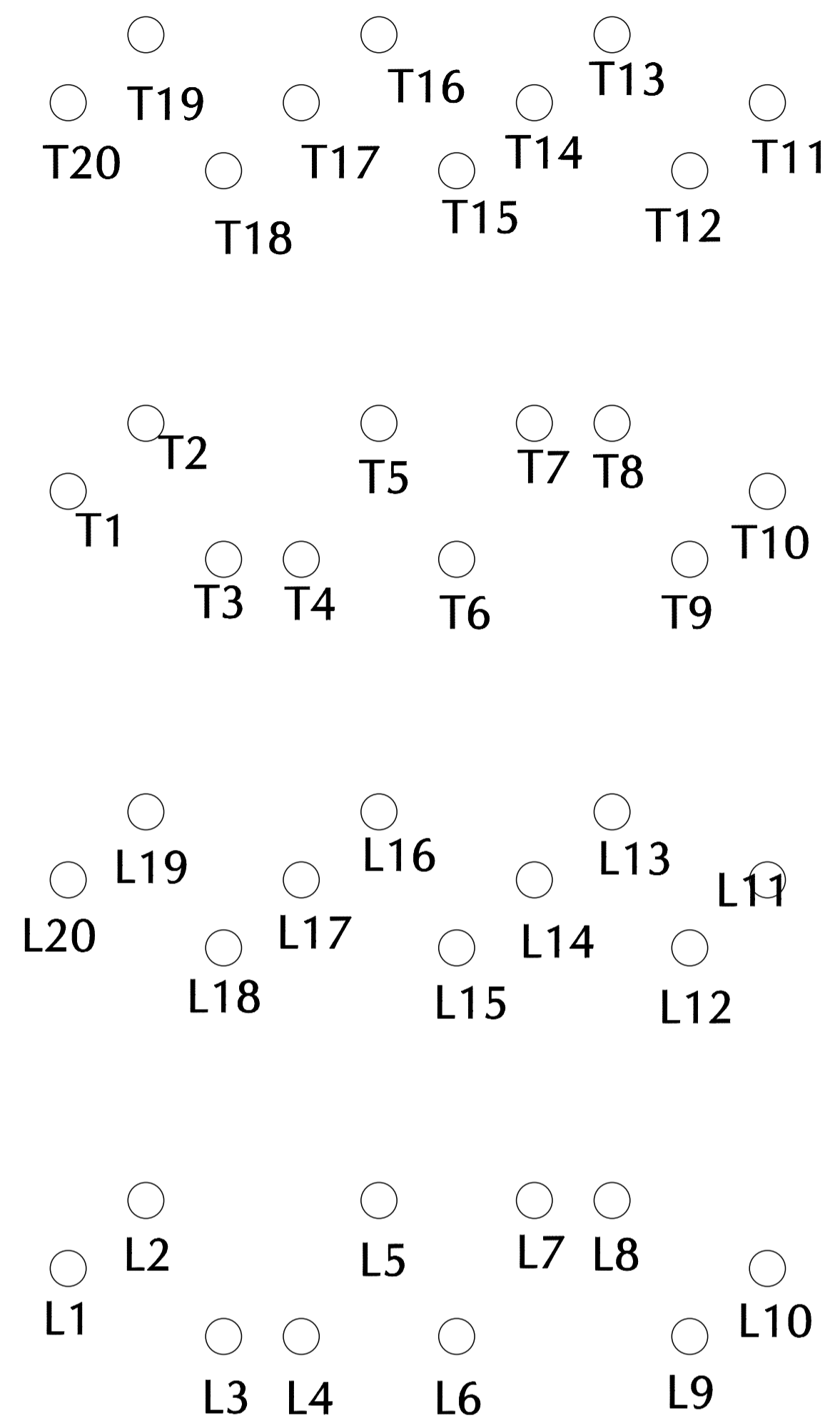
RECOMMENDED SINGLE SIDE PCB LAYOUT  
SCALE 7:2

THIS DRAWING IS A CONTROLLED DOCUMENT.		OWN J. WANG 30MAY2019	TE Connectivity RECEPTACLE ASSEMBLY, 2X12 ZSFP+ STACKED BELLY TO BELLY
DIMENSIONS: mm		CHK S. HAN 30MAY2019	
TOLERANCES UNLESS OTHERWISE SPECIFIED:		APVD S. HAN 30MAY2019	
0 PLC ±0.25 1 PLC ±0.25 2 PLC ±0.25 3 PLC ±0.25 4 PLC ±0.25 ANGLES ±°		PRODUCT SPEC 108-60129 APPLICATION SPEC 114-13319 WEIGHT -	
MATERIAL SEE NOTES		FINISH SEE NOTES	SIZE CAGE CODE DRAWING NO. RESTRICTED TO A100779C=2357518 CUSTOMER DRAWING SCALE 3:1 SHEET 2 OF 4 REV B1

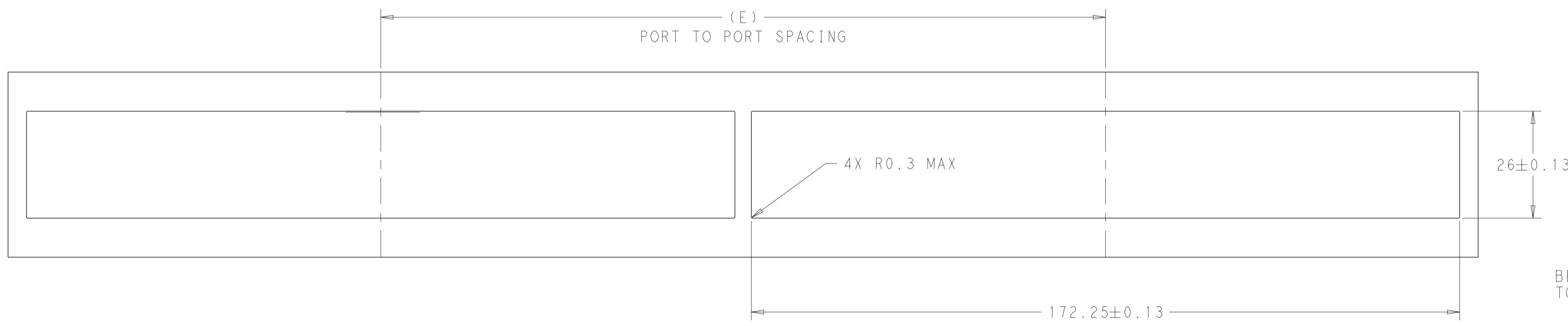
LOC	DIST	REVISIONS			
GP	00	REV	DATE	BY	APPD
-	-	SEE SHEET 1	-	-	-



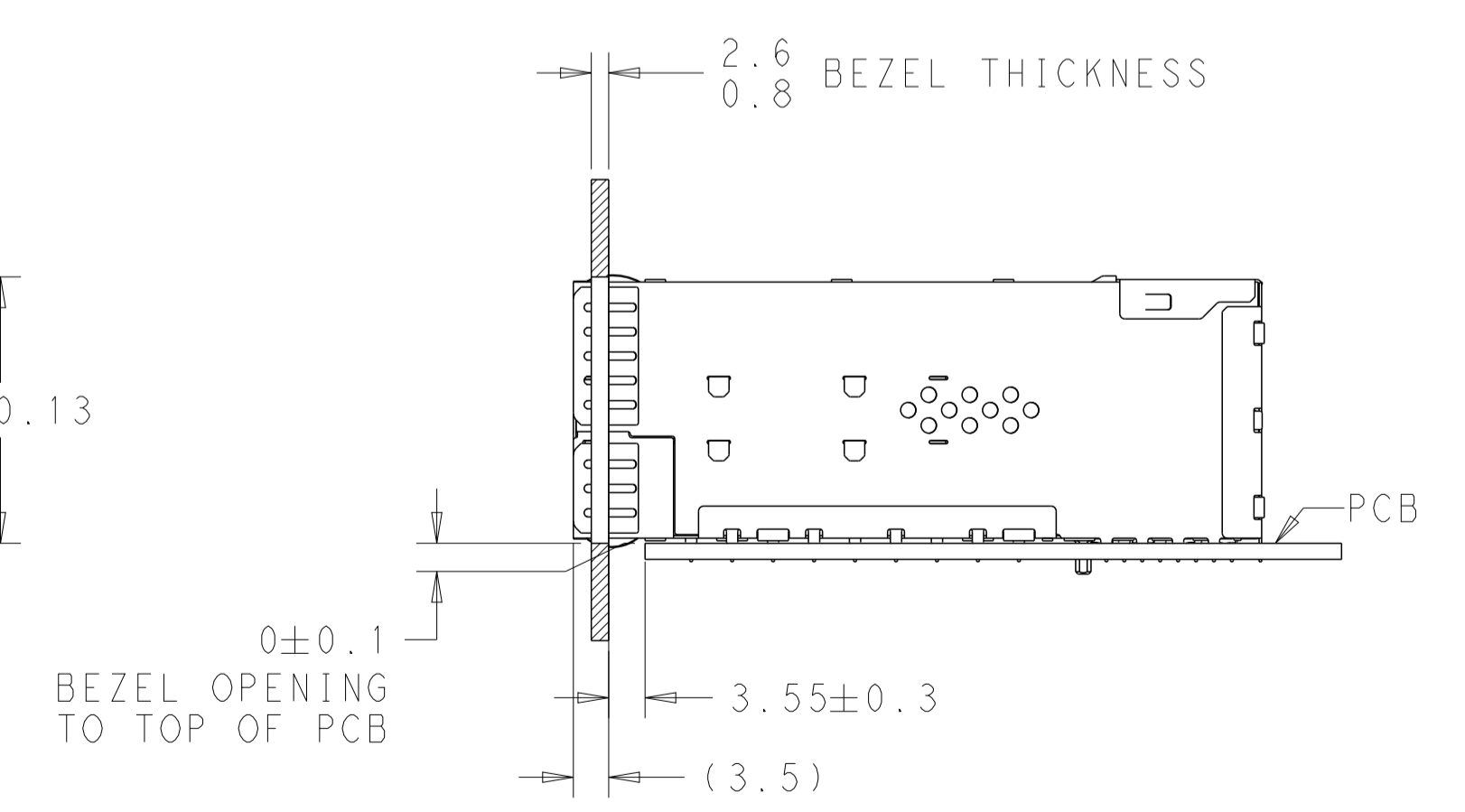
DETAIL C  
RECOMMENDED PIN AND LIGHT PIPE LAYOUT  
12X INDIVIDUALLY  
SCALE 15:1



PIN MAP LEGEND	
PIN NUMBER	FUNCTION
L1/T1	VEET
L2/T2	TX-FAULT
L3/T3	TX-DISABLE
L4/T4	SDA
L5/T5	SCL
L6/T6	MOD_ABS
L7/T7	RSO
L8/T8	RX_LOS
L9/T9	RSI
L10/T10	VEER
L11/T11	VEER
L12/T12	RD-
L13/T13	RD+
L14/T14	VEER
L15/T15	VCCR
L16/T16	VCCT
L17/T17	VEET
L18/T18	TD+
L19/T19	TD-
L20/T20	VEET

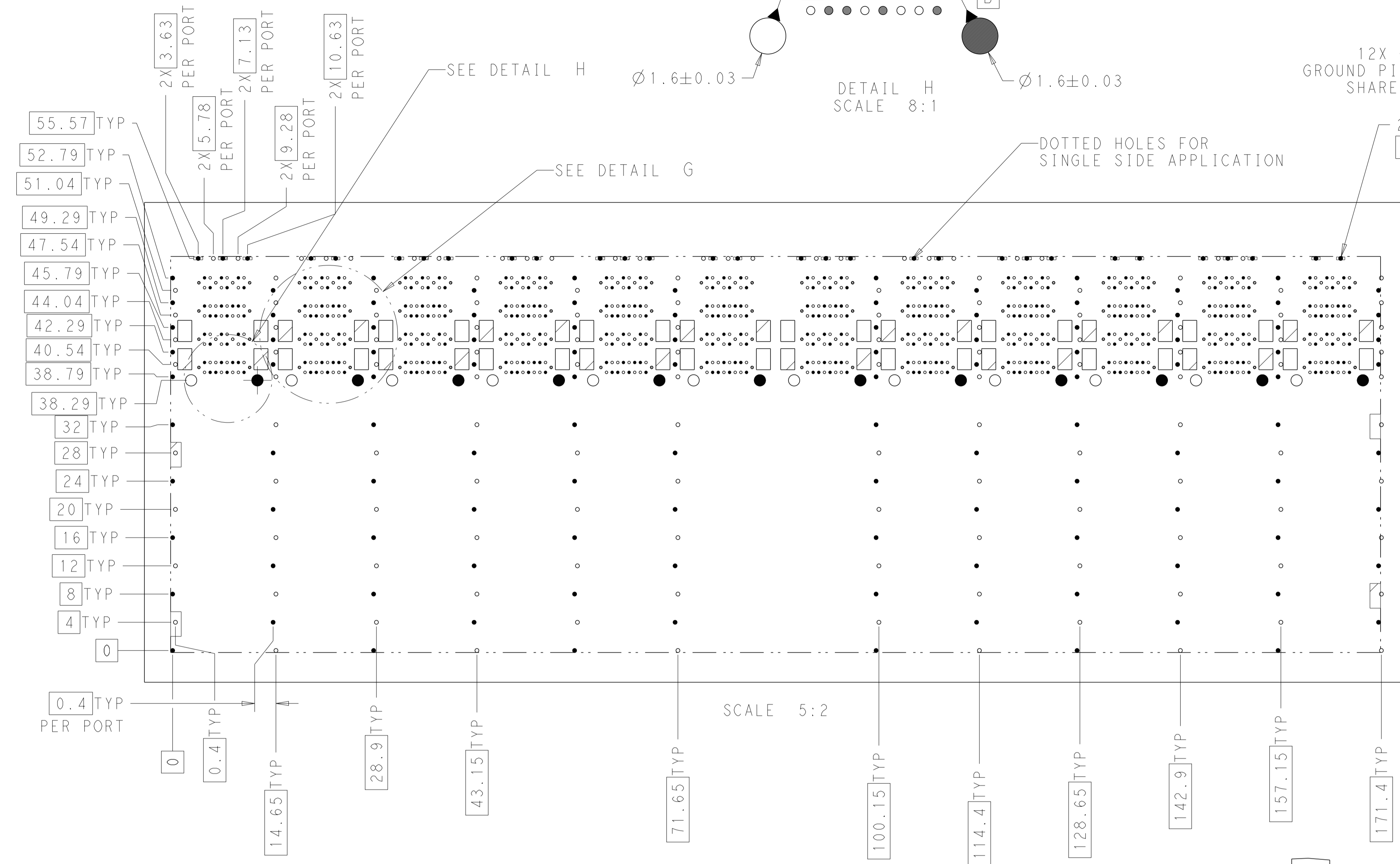


RECOMMENDED BEZEL CUT-OUT DETAIL  
SCALE 3:2

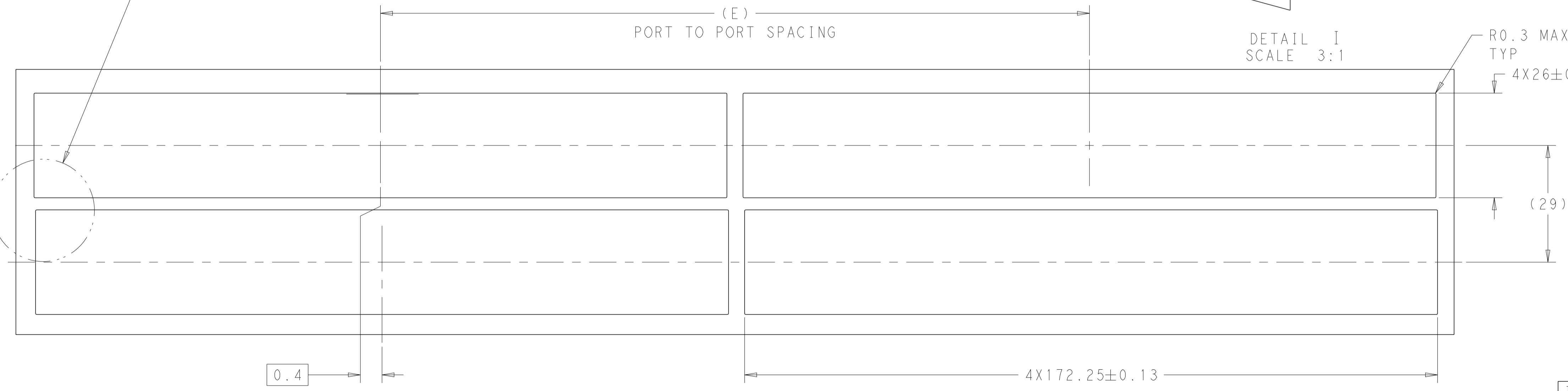
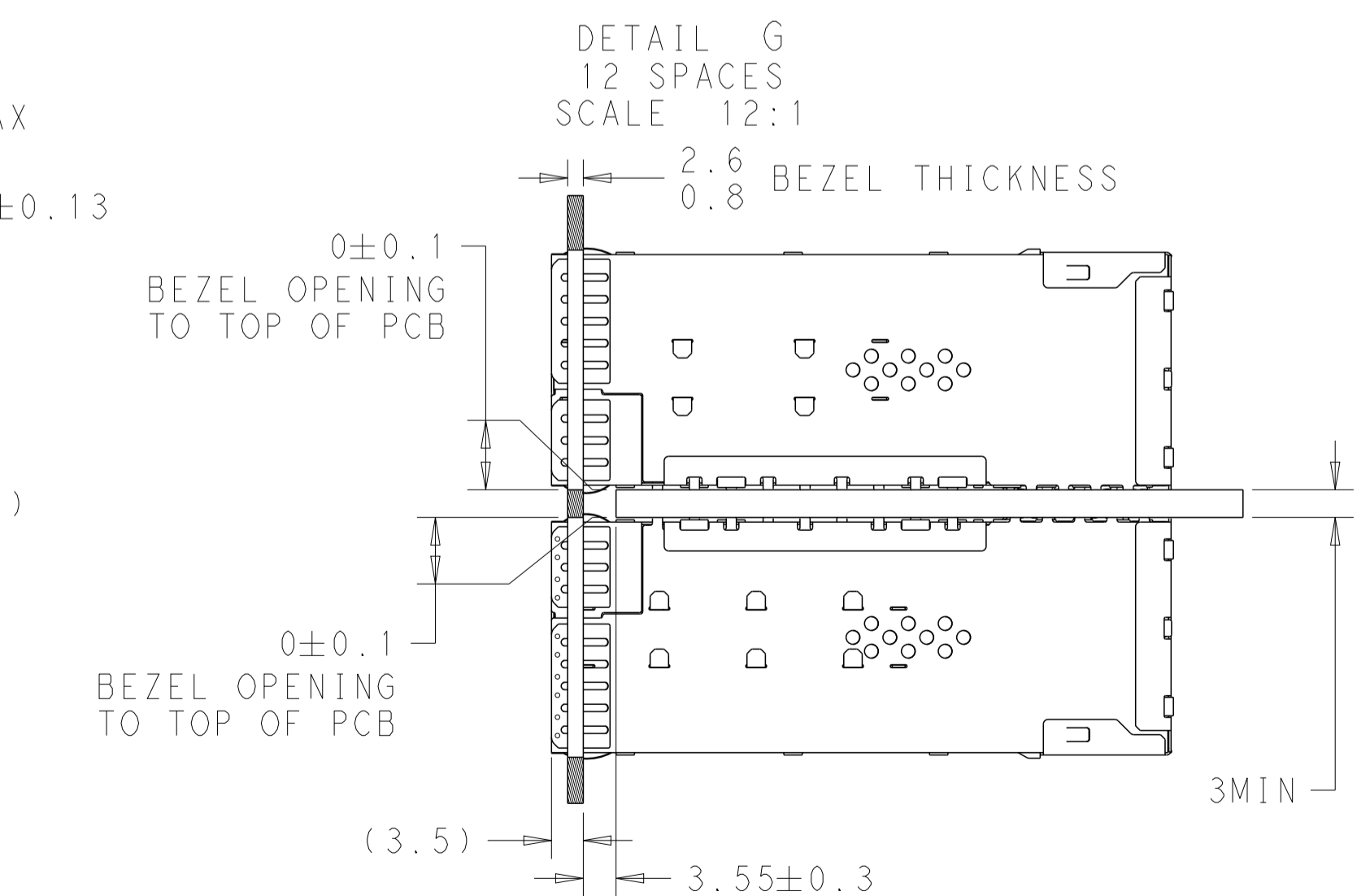
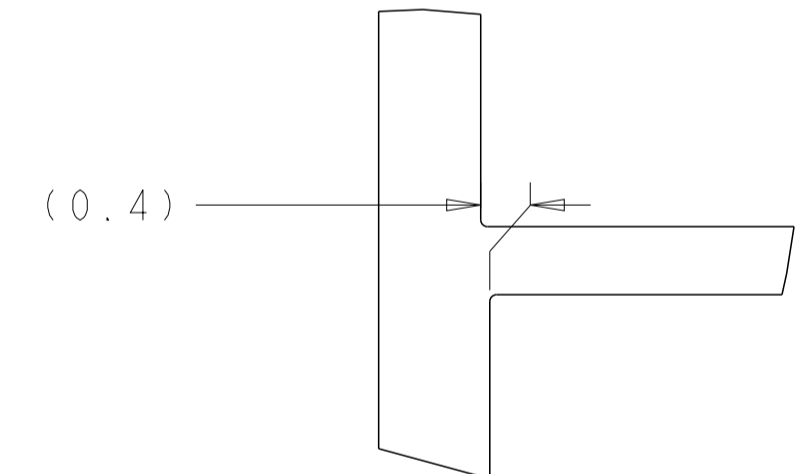


THIS DRAWING IS A CONTROLLED DOCUMENT.		OWN: J. WANG 30MAY2019	TE Connectivity
DIMENSIONS: mm		CHK: S. HAN 30MAY2019	
TOLERANCES UNLESS OTHERWISE SPECIFIED:		APVD: S. HAN 30MAY2019	NAME: RECEPTACLE ASSEMBLY, 2X12 zSFP+ STACKED BELLY TO BELLY PRODUCT SPEC: 108-60129 APPLICATION SPEC: 114-13319
0 PLC ±: 0.25 1 PLC ±: 0.25 2 PLC ±: 0.25 3 PLC ±: 0.25 4 PLC ±: 0.25 ANGLES ±:		SIZE: A1 CAGE CODE: 2357518 DRAWING NO: 100779	
MATERIAL: SEE NOTES		FINISH: SEE NOTES	WEIGHT: - CUSTOMER DRAWING: - SCALE: 3:1 SHEET 3 OF 4 REV: B1

LOC	DIST	REVISIONS			
GP	00	REV	DATE	BY	APPD
		1	SEE SHEET 1		



RECOMMENDED BELLY TO BELLY PCB LAYOUT UNMAKRED DIMENSIONS SAME AS SINGLE SIDE LAYOUT



RECOMMENDED BEZEL CUT-OUT DETAIL FOR BELLY TO BELLY APPLICATION SCALE 3:2

THIS DRAWING IS A CONTROLLED DOCUMENT.		DWN J. WANG 30MAY2019	 TE Connectivity
DIMENSIONS: mm		CHK S. HAN 30MAY2019	
TOLERANCES UNLESS OTHERWISE SPECIFIED:		APVD S. HAN 30MAY2019	NAME RECEPTACLE ASSEMBLY, 2X12 zSFP+ STACKED BELLY TO BELLY
0 PLC ± .1		PRODUCT SPEC 108-60129	
1 PLC ± 0.25		APPLICATION SPEC 114-13319	SIZE CAGE CODE DRAWING NO RESTRICTED TO A1 00779 C=2357518
2 PLC ± 0.25		WEIGHT	
3 PLC ± 0.25		CUSTOMER DRAWING	SCALE 3:1 SHEET 4 OF 4 REV B1
4 PLC ± .1			
ANGLES			
FINISH			
MATERIAL SEE NOTES			