



Product Change Notification

TE Connectivity

Product Change Notification: P-22-022089

PCN Date: 26-JAN-22

TE would like to inform you of the following change(s) to the listed TE Connectivity Product. In case of any further questions about this change(s), please contact your TE Connectivity Sales Engineer. Affected part, drawing and/or specification numbers are listed on the attached sheet(s).

General Product Description:
CABLE ASSEMBLY, SLIVER1.0 50P AND 74P

Description of Changes
Optimize the holder tabs to enhance latching mechanism.
Other attachments:
[PCN-Sliver 1.0 50P & 74P cable assembly](#)

Reason for Changes:
Product improvement.Optimization does not affect product Fit Form and function.
Estimated Dates:

Last Order Date (Obsolete Parts Only):	First Date To Ship (Changed Parts Only):
	27-JAN-2022
Last Ship Date (Obsolete Parts Only):	Last Date for Mixed Shipments: (Changed Parts Only):
	No Mixed Shipments

Part Number(s) being Modified:

Part Number	Part Discontinued per PCN	Customer Drawing	Customer Part Number	Alias Part Number(s)	Substitute Part Number	Substitute Alias Part Number(s)	Description Of Difference
2821750-1	NO						

Part Number(s) being Modified:

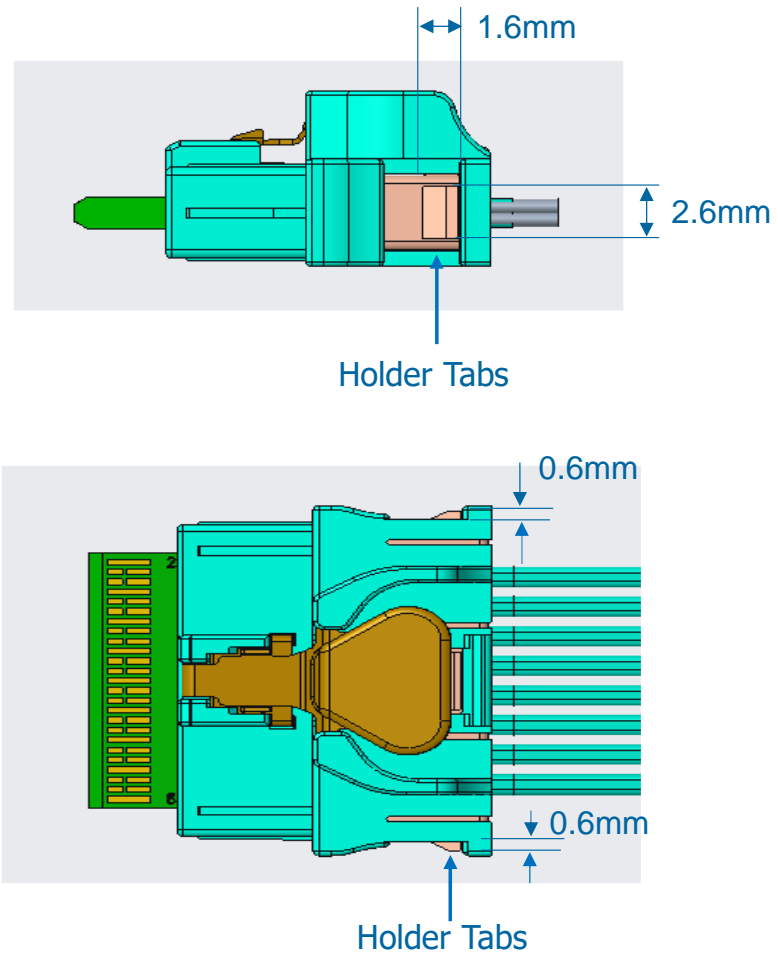
Part Number	Part Discontinued per PCN	Customer Drawing	Customer Part Number	Alias Part Number(s)	Substitute Part Number	Substitute Alias Part Number(s)	Description Of Difference
2821750-1	NO						

Sliver 1.0 50P & 74P cable assembly

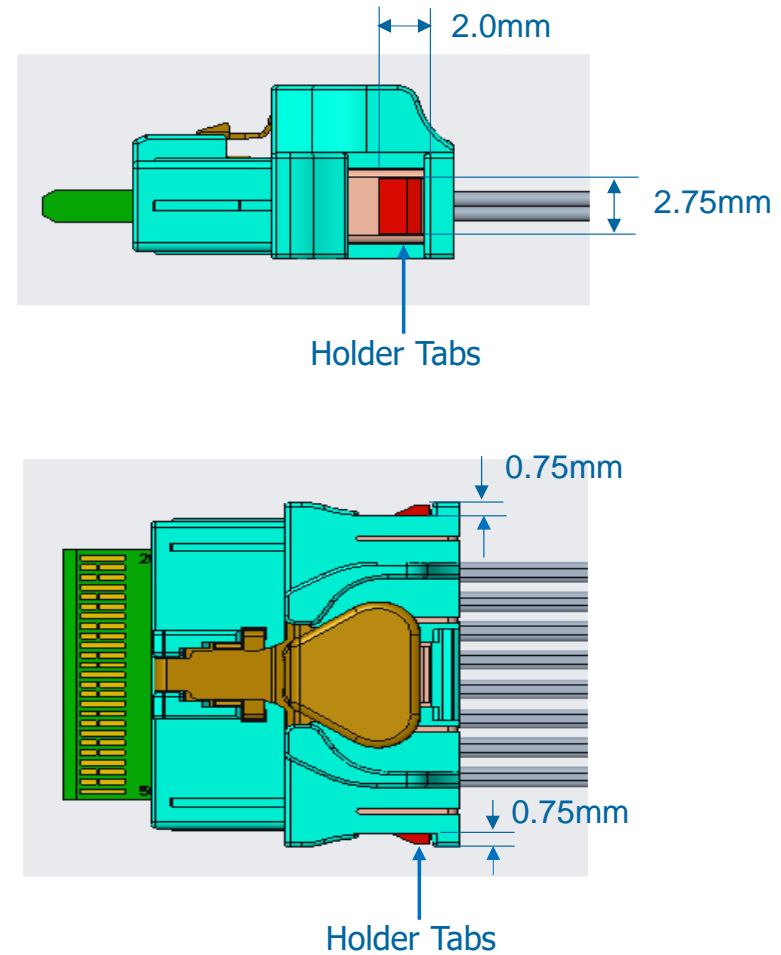
EVERY CONNECTION COUNTS



Before change



After change





- Optimize the holder tabs to enhance latching mechanism.
- Optimization does not affect product Fit Form and function.

**CONNECT
LIKE THE WORLD
DEPENDS ON IT.
BECAUSE IT DOES.**

EVERY CONNECTION COUNTS

