

**NOTES:**

1. ALL DIMENSIONS ARE REFERENCE ONLY
2. SPECIFICATIONS:  
 OPERATING VOLTAGE: 9-32VDC  
 CURRENT RATING: COIL+ 10A AT 85°C  
 STATUS 0.2A AT 85°C  
 QUIESCENT CURRENT 2 mA MAX  
 OPERATING TEMPERATURE: -40°C TO 85°C  
 OVERCURRENT THRESHOLD: 12 - 17A (COIL+ ONLY)
3. CONNECTOR PINOUT:  
 PIN1: AUX BATT+  
 PIN2: GROUND (BATTERY-)  
 PIN3: COIL+  
 PIN4: BATTERY+  
 PIN5: BOOST  
 PIN6: STATUS  
 PIN7: REDUNDANT GROUND (BATTERY-)  
 PIN8: REDUNDANT GROUND (BATTERY-)
4. MATING CONNECTOR: DEUTSCH P/N DT06-08S
5. MATING PINS: DEUTSCH P/N 0462-201-16141
6. UNUSED PINS SHOULD BE SEALED WITH BLANKING PIN- DEUTSCH P/N: 114017
7. ONLY ONE GROUND (BATTERY -) CONNECTION IS REQUIRED FOR PROPER OPERATION. ALL OTHER GROUNDS ARE REDUNDANT
8. SEALED TO IP67 (PROVIDED BLANKING PINS USED)

Revision Control Record				Rev.	Description of Change	ECN No.	Date	Tolerances Unless otherwise specifically noted, the following are default tolerances: 2-places 3-places Angular +/- 0.02" +/- 0.005" +/- 1' Metric: Shown in [ ] refers to equivalent English Dim Tol "REF." or an Asterisk (*) = Non-Toleranced Reference Dimension, shown for clarification purposes only. NOTE: All tolerances are Non-Cumulative.			PROPRIETARY INFORMATION This Engineering Drawing, and the information contained herein, is proprietary to Cole Hersee Company and may not be disclosed, re-produced, or in any other way transferred or communicated to any other party without the express written consent of an authorized representative of Cole Hersee Company.		Special Characteristics: CC Critical Characteristic, relating to Safety and/or Regulatory Compliance X Significant Characteristic relating to Process Control KC Control Dimension relating to Form - Fit - Function as defined by Cole Hersee Company and/or the Customer		Cole Hersee Co. 20 Old Colony Ave., South Boston, MA, 02127 Phn: 617-268-2100 Web: www.colehersee.com		Description: SMART BATT ISO CTRL		Drawing / Part No.: 48540		Current Rev. D	
Rev.	Description of Change	ECN No.	Date																			
A	RELEASED DRAWING	09446	09/14/09																			
B	BOM CHANGE	10004	01/19/10																			
C	ADD NEW PART	10054	02/10/10																			
D	ADDED TOP VIEW & DIMS	11110	4/20/11																			

4

3

2

1

B

B

A

A

48540-01	12.7	13.2	25.4	26.4	8.5	34.0	120	60	1	12805
48540	12.7	13.2	25.4	26.4	8.5	34.0	120	60	1	NONE
COLE HERSEE PART NUMBER	12V System Disconnect Threshold	12V System Connect Threshold	24V System Disconnect Threshold	24V System Connect Threshold	System Under-Voltage Threshold	System Over-Voltage Threshold	Connect Time Delay (seconds)	Disconnect Time Delay (seconds)	Boost Timeout (minutes)	KIT

**Revision Control Record**

Rev.	Description of Change	ECN No.	Date
<b>SEE PAGE 1</b>			

**Tolerances** Unless otherwise specifically noted, the following are default tolerances;  
**2-places**    **3-places**    **Angular**  
 +/- 0.02"    +/- 0.005"    +/- 1'  
 Metric: Shown in [ ] refers to equivalent English Dim Tol  
 "REF." or an Asterisk (\*) = Non-Toleranced Reference Dimension, shown for clarification purposes only.  
 NOTE: All tolerances are Non-Cumulative.

**PROPRIETARY INFORMATION** This Engineering Drawing, and the information contained herein, is proprietary to Cole Hersee Company and may not be disclosed, re-produced, or in any other way transferred or communicated to any other party without the express written consent of an authorized representative of Cole Hersee Company.

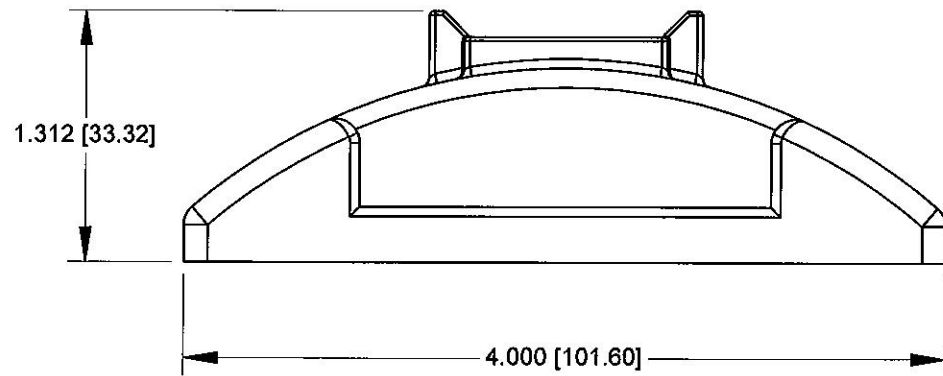
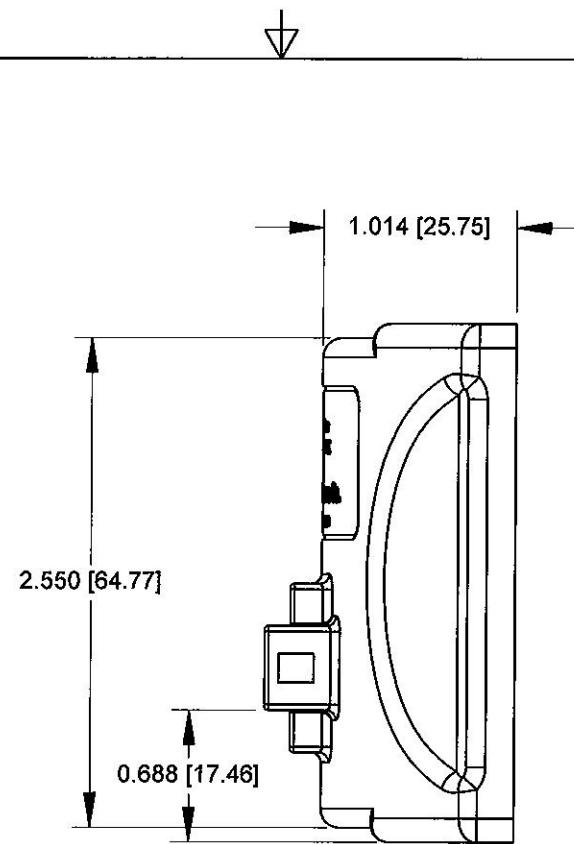
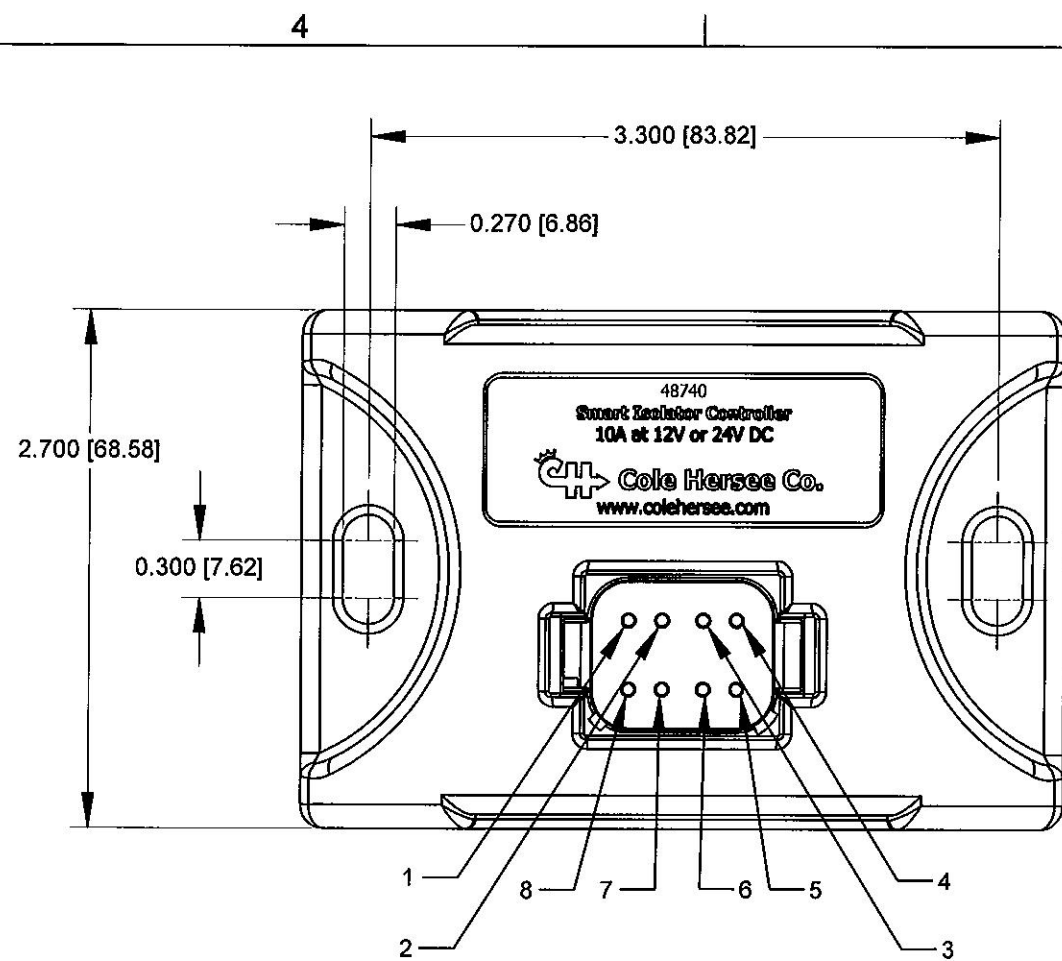
**Special Characteristics:**  
 Critical Characteristic, relating to Safety and/or Regulatory Compliance  
 Significant Characteristic relating to Process Control  
 Control Dimension relating to Form - Fit - Function as defined by Cole Hersee Company and/or the Customer

**Cole Hersee Co.**  
 20 Old Colony Ave., South Boston, MA, 02127  
 Phn: 617-268-2100 Web: www.colehersee.com

**SMART BATT ISO CTRL**

Drawing / Part No.: **48540**    Current Rev.: **D**

FORM CHT-6 (2/07)    Used On or Ref.: **EX28646**    Scale: 1:1    Drawn By: **CN**    Date Drawn: **09/14/09**    **Pg. 2 of 2**



**NOTES:**

1. ALL DIMENSIONS ARE REFERENCE ONLY
2. SPECIFICATIONS:  
 OPERATING VOLTAGE: 9-32VDC  
 CURRENT RATING: COIL+ 10A AT 85°C  
 STATUS 0.2A AT 85°C  
 QUIESCENT CURRENT 2 mA MAX  
 OPERATING TEMPERATURE: -40°C TO 85°C  
 OVERCURRENT THRESHOLD: 12 - 17A (COIL+ ONLY)
3. CONNECTOR PINOUT:  
 PIN1: AUX BATT+  
 PIN2: GROUND (BATTERY-)  
 PIN3: COIL+  
 PIN4: BATTERY+  
 PIN5: BOOST  
 PIN6: STATUS  
 PIN7: REDUNDANT GROUND (BATTERY-)  
 PIN8: REDUNDANT GROUND (BATTERY-)
4. MATING CONNECTOR: DEUTSCH P/N DT06-08S
5. MATING PINS: DEUTSCH P/N 0462-201-16141
6. UNUSED PINS SHOULD BE SEALED WITH BLANKING PIN- DEUTSCH P/N: 114017
7. ONLY ONE GROUND (BATTERY -) CONNECTION IS REQUIRED FOR PROPER OPERATION. ALL OTHER GROUNDS ARE REDUNDANT
8. SEALED TO IP67 (PROVIDED BLANKING PINS USED)

48740-01	12.7	13.2	25.4	26.4	8.5	34.0	120	60	1	12805
48740	12.7	13.2	25.4	26.4	8.5	34.0	120	60	1	NONE
PART NUMBER	12V System Disconnect Threshold	12V System Connect Threshold	24V System Disconnect Threshold	24V System Connect Threshold	System Under-Voltage Threshold	System Over-Voltage Threshold	Connect Time Delay (seconds)	Disconnect Time Delay (seconds)	Boost Timeout (minutes)	KIT

Revision Control Record				Rev.	Description of Change	ECN No.	Date
Rev.	Description of Change	ECN No.	Date				
A	RELEASED DRAWING	10367	11/2/10				

**Tolerances** Unless otherwise specifically noted, the following are default tolerances:  
**2-places** +/- 0.02"  
**3-places** +/- 0.005"  
**Angular** +/- 1°  
 Metric: Shown in [ ] refers to equivalent English Dim Tol  
 "REF." or an Asterisk (\*) = Non-Toleranced Reference Dimension, shown for clarification purposes only.  
 NOTE: All tolerances are Non-Cumulative.

FORM CHT-6 (2/07) Used On or Ref.: 48540; EX28807

**PROPRIETARY INFORMATION**  
 This Engineering Drawing, and the information contained herein, is proprietary to Cole Hersee Company and may not be disclosed, re-produced, or in any other way transferred or communicated to any other party without the express written consent of an authorized representative of Cole Hersee Company.

**Special Characteristics:**

- Critical Characteristic, relating to Safety and/or Regulatory Compliance
- Significant Characteristic relating to Process Control
- Control Dimension relating to Form - Fit - Function as defined by Cole Hersee Company and/or the Customer

Scale: 1:1 Drawn BY: DPS Date Drawn: 11/2/10 Pg. 1 of 1

**Cole Hersee Co.**  
 20 Old Colony Ave., South Boston, MA, 02127  
 Phn: 617-268-2100 Web: www.colehersee.com

**Description:**  
**SMART BATTERY ISO CTRL**

Drawing / Part No.: **48740** Current Rev.: **A**